

# M51996AP/AFP

## Switching Regulator Control

REJ03D0836-0201

Rev.2.01

Nov 14, 2007

### Description

M51996A is the primary switching regulator controller which is especially designed to get the regulated DC voltage from AC power supply.

This IC can directly drive the MOS FET with fast rise and fast fall output pulse and with a large-drive totempole output.

Type M51996A has the functions of not only high frequency OSC and fast output drive but also current limit with fast response and high sensibility so the true "fast switching regulator" can be realized.

The M51996A is equivalent to the M51978 with externally re-settable OVP (over voltage protection) circuit.

### Features

- 500kHz operation to MOS FET
- Output current :  $\pm 1$  A
- Output rise time 60 ns, fall time 40 ns
- Modified totempole output method with small through current
- Compact and light-weight power supply
  - Small start-up current : 100  $\mu$ A typ.
  - Big difference between "start-up voltage" and "stop voltage" makes the smoothing capacitor of the power input section small.
  - Start-up threshold 16 V , stop voltage 10 V
  - Packages with high power dissipation are used to with-stand the heat generated by the gate-drive current of MOS FET.
  - 14-pin DIP, 16-pin SOP 1.5W (at 25°C)
- Simplified peripheral circuit with protection circuit and built-in large-capacity totempole output
  - High-speed current limiting circuit using pulse-by-pulse method (CLM+pin)
  - Over-voltage protection circuit with an externally re-settable latch (OVP)
  - Protection circuit for output miss action at low supply voltage (UVLO)
- High-performance and highly functional power supply
  - Triangular wave oscillator for easy dead time setting
  - SOFT start function by expanding period

### Application

Feed forward regulator, fly-back regulator

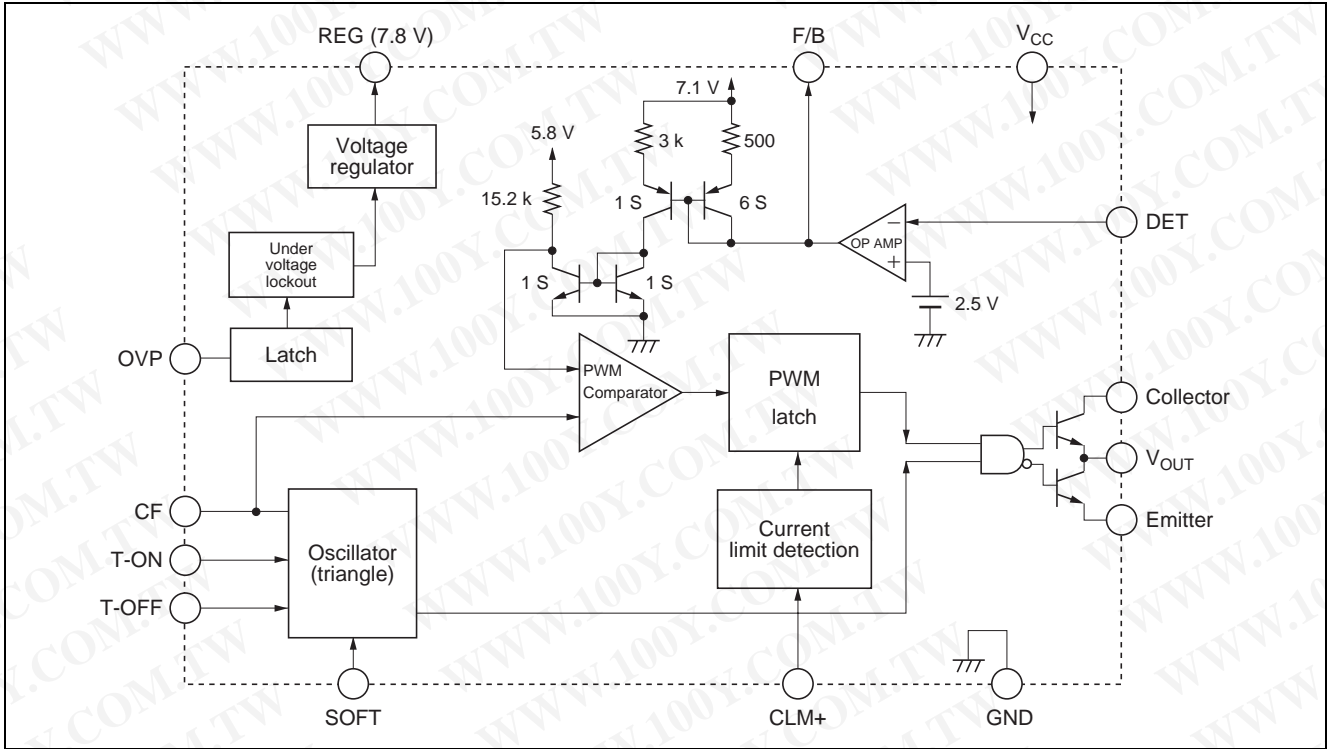
勝特力材料 886-3-5753170  
勝特力电子(上海) 86-21-34970699  
勝特力电子(深圳) 86-755-83298787  
[Http://www.100y.com.tw](http://www.100y.com.tw)

### Recommended Operating Conditions

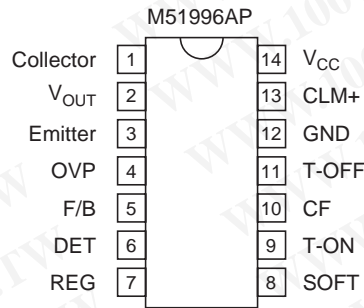
- Supply voltage range: 12 to 30 V
- Operating frequency: less than 500 kHz
- Oscillator frequency setting resistance
- T-ON pin resistance
  - $R_{ON}$ : 10 k to 75 k $\Omega$
- T-OFF pin resistance
  - $R_{OFF}$ : 2 k to 30 k $\Omega$

勝特力材料 886-3-5753170  
 勝特力电子(上海) 86-21-34970699  
 勝特力电子(深圳) 86-755-83298787  
[Http://www.100y.com.tw](http://www.100y.com.tw)

### Block Diagram

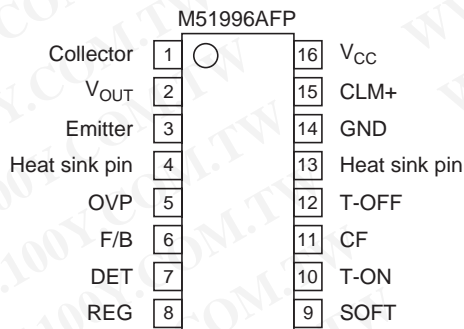


Pin Arrangement



(Top view)

Outline: PRDP0014AA-A (14P4)



(Top view)

Outline: PRSP0016DE-A (16P2N-A)

Note: Connect the heat sink pin to GND.

勝特力材料 886-3-5753170  
 勝特力电子(上海) 86-21-34970699  
 勝特力电子(深圳) 86-755-83298787  
[Http://www.100y.com.tw](http://www.100y.com.tw)

## Absolute Maximum Ratings

Item	Symbol	Ratings	Unit	Condition
Supply voltage	$V_{CC}$	31	V	
Collector voltage	$V_C$	31	V	
Output current	$I_O$	$\pm 1$	A	Peak
		$\pm 0.15$		Continuous
$V_{REG}$ terminal output current	$I_{VREG}$	-6	mA	
SOFT terminal voltage	$V_{SOFT}$	$V_{REG} + 0.2$	V	
CLM+ terminal voltage	$V_{CLM+}$	-0.3 to +3	V	
DET terminal voltage	$V_{DET}$	6	V	
OVP terminal current	$I_{OVP}$	10	mA	
F/B terminal current	$I_{FB}$	-10	mA	
T-ON terminal input current	$I_{TON}$	-1	mA	
T-OFF terminal input current	$I_{TOFF}$	-2	mA	
Power dissipation	$P_d$	1.5	W	$T_a = 25^\circ\text{C}$
Thermal derating	$K\theta$	12	mW/ $^\circ\text{C}$	$T_a > 25^\circ\text{C}$
Operating temperature	$T_{opr}$	-30 to +85	$^\circ\text{C}$	
Storage temperature	$T_{stg}$	-40 to +125	$^\circ\text{C}$	

Notes: 1. "+" sign shows the direction of current flowing into the IC and "-" sign shows the current flowing out from the IC.

2. The low impedance voltage supply should not be applied to the OVP terminal.

勝特力材料 886-3-5753170  
 勝特力电子(上海) 86-21-34970699  
 勝特力电子(深圳) 86-755-83298787  
[Http://www.100y.com.tw](http://www.100y.com.tw)

## Electrical Characteristics

(V<sub>CC</sub> = 18 V, T<sub>a</sub> = 25°C, unless otherwise noted)

Block	Item	Symbol	Limits			Unit	Test Conditions	
			Min.	Typ.	Max.			
Supply voltage/ circuit current	Operating supply voltage range	V <sub>CC</sub>	V <sub>CC(STOP)</sub>	—	30	V		
	Operation start up voltage	V <sub>CC(START)</sub>	15.2	16.2	17.2	V		
	Operation stop voltage	V <sub>CC(STOP)</sub>	9.0	9.9	10.9	V		
	V <sub>CC(START)</sub> , V <sub>CC(STOP)</sub> difference	ΔV <sub>CC</sub>	5.0	6.3	7.6	V	ΔV <sub>CC</sub> = V <sub>CC(START)</sub> - V <sub>CC(STOP)</sub>	
	Stand-by current	I <sub>CCL</sub>	65	100	150	μA	V <sub>CC</sub> = 14.5 V, T <sub>a</sub> = 25°C	
			50	100	200		V <sub>CC</sub> = 14.5 V, -30 ≤ T <sub>a</sub> ≤ 85°C	
	Operating circuit current	I <sub>CCO</sub>	7.3	11	17	mA	V <sub>CC</sub> = 15 V, f = 188 kHz	
8			12	19	V <sub>CC</sub> = 30 V, f = 188 kHz			
Circuit current in OVP state	I <sub>CCOVP</sub>	1.3	2.0	3.0	mA	V <sub>CC</sub> = 25 V		
		140	210	320		μA	V <sub>CC</sub> = 9.5 V	
F/B	Current at 0% duty	I <sub>FBMIND</sub>	-2.1	-1.5	-1.0	mA	F/B terminal input current	
	Current at maximum duty	I <sub>FBMAXD</sub>	-0.9	-0.6	-0.4		F/B terminal input current	
	Current difference between max and 0% duty	ΔI <sub>FB</sub>	-1.35	-0.99	-0.70	mA	ΔI <sub>FB</sub> = I <sub>FBMIND</sub> - I <sub>FBMAXD</sub>	
	F/B terminal voltage	V <sub>FB</sub>	4.9	5.9	7.1		V	F/B terminal input current = 0.95 mA
	OVP terminal resistance	R <sub>FB</sub>	420	600	780		Ω	
OVP	OVP terminal H threshold voltage	V <sub>THOVPH</sub>	540	750	960	mV		
	OVP terminal hysteresis voltage	ΔV <sub>THOVPH</sub>	—	30	—		mV	ΔV <sub>THOVPH</sub> = V <sub>THOVPH</sub> - V <sub>THOVPL</sub>
	OVP terminal threshold current	I <sub>THOVP</sub>	80	150	250	μA		
	OVP terminal input current	I <sub>IHOVP</sub>	80	150	250	μA	V <sub>OVP</sub> = 400 mV	
	OVP reset supply voltage	V <sub>CCOVPC</sub>	7.5	9.0	10.0	V	OVP terminal is open. (high impedance)	
	Difference supply voltage between operation stop and OVP reset	V <sub>CC(STOP)</sub> - V <sub>CCOVPC</sub>	0.55	1.20	—			
	Current from OVP terminal for OVP reset	I <sub>THOVPC</sub>	-480	-320	-213			μA
-210			-140	-93	V <sub>CC</sub> = 18 V			
CLM+	CLM+ terminal threshold voltage	V <sub>THCLM+</sub>	180	200	220	mV		
	CLM+ terminal current	I <sub>INCLM+</sub>	-280	-200	-140		μA	V <sub>CLM+</sub> = 0 V
	Delay time from CLM+ to V <sub>OUT</sub>	T <sub>PDCLM+</sub>	—	150	—	ns		

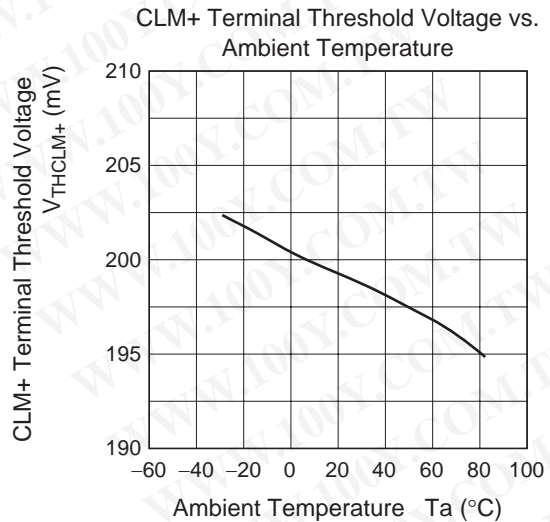
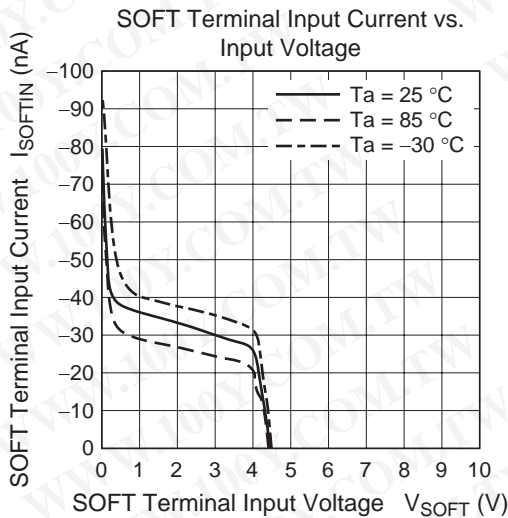
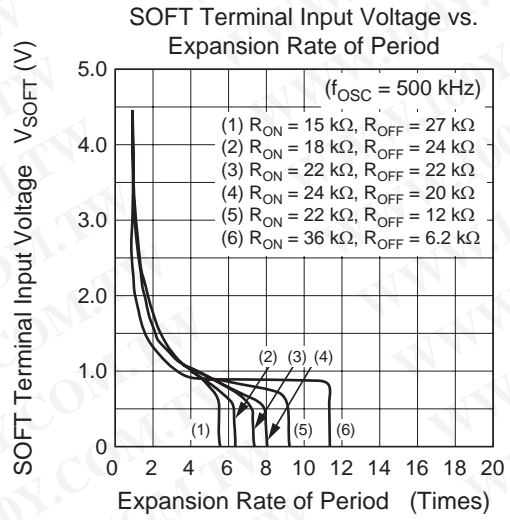
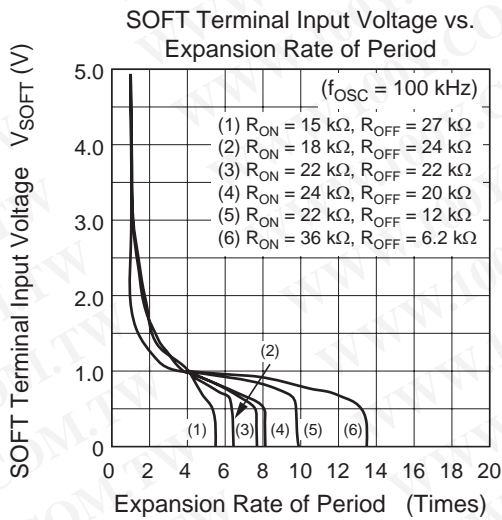
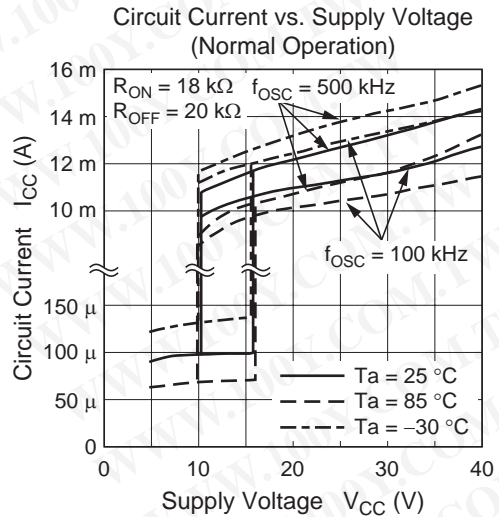
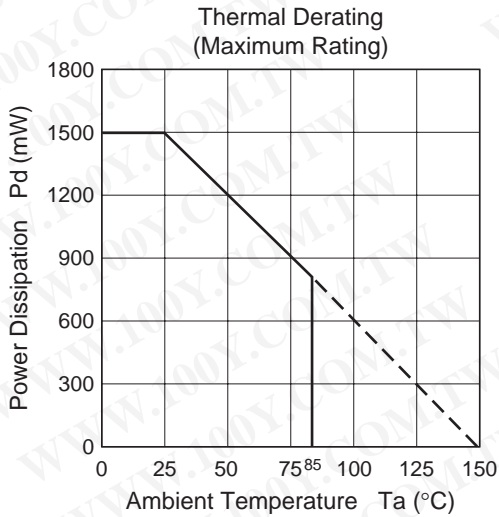
勝特力材料 886-3-5753170  
 勝特力电子(上海) 86-21-34970699  
 勝特力电子(深圳) 86-755-83298787  
[Http://www.100y.com.tw](http://www.100y.com.tw)

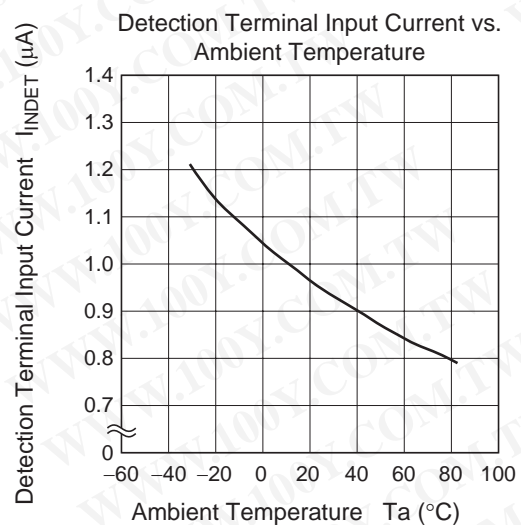
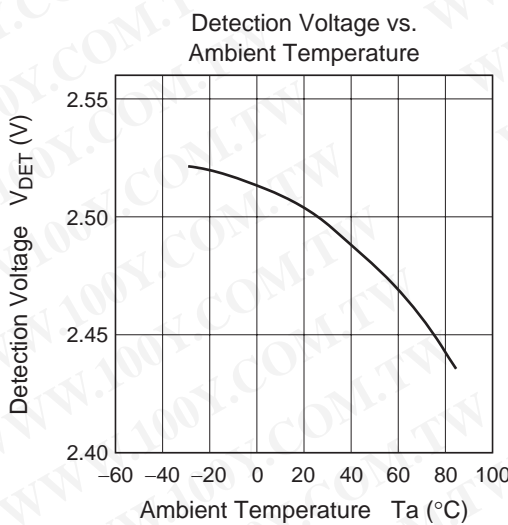
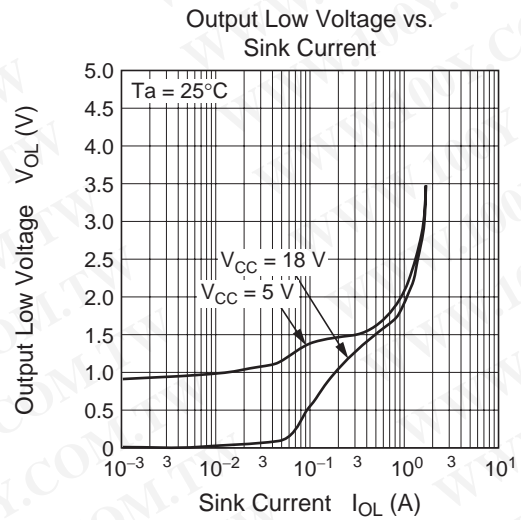
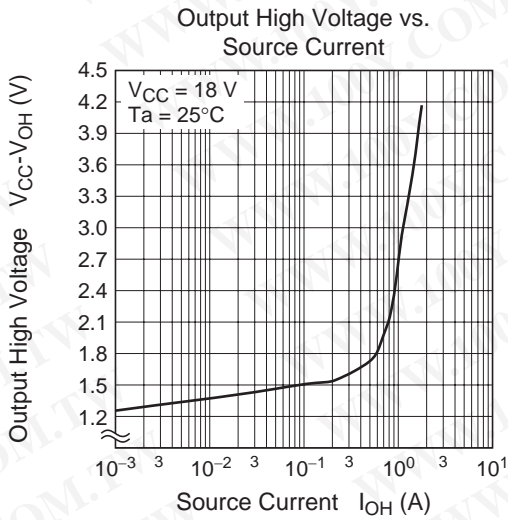
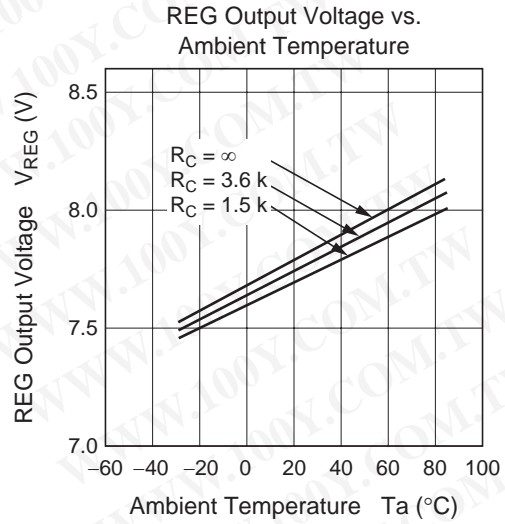
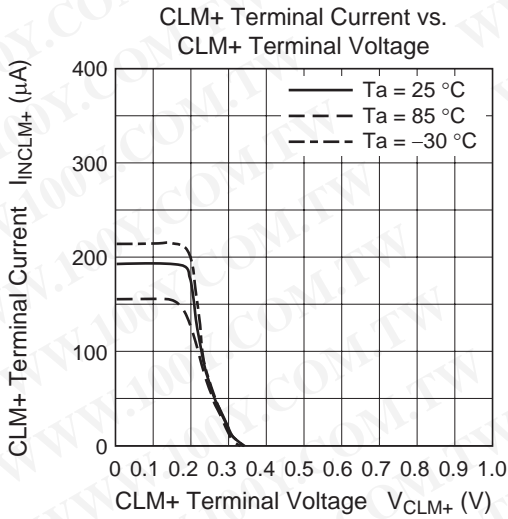
(V<sub>CC</sub> = 18 V, T<sub>a</sub> = 25°C, unless otherwise noted)

Block	Item	Symbol	Limits			Unit	Test Conditions	
			Min.	Typ.	Max.			
Oscillator	Oscillating frequency	f <sub>OSC</sub>	170	188	207	kHz	R <sub>ON</sub> = 20 kΩ, R <sub>OFF</sub> = 17 kΩ C <sub>F</sub> = 220 pF, -5 ≤ T <sub>a</sub> ≤ 85°C	
	Maximum ON duty	T <sub>DUTY</sub>	47	50	53	%		
	Upper limit voltage of oscillation waveform	V <sub>OSCH</sub>	3.97	4.37	4.77	V	R <sub>ON</sub> = 20 kΩ, R <sub>OFF</sub> = 17 kΩ C <sub>F</sub> = 220 pF	
	Lower limit voltage of oscillation waveform	V <sub>OSCL</sub>	1.76	1.96	2.16	V		
	Voltage difference between upper limit and lower limit of OSC waveform	ΔV <sub>OSC</sub>	2.11	2.41	2.71	V		
	T-ON terminal voltage	V <sub>T-ON</sub>	3.8	4.5	5.4	V	R <sub>ON</sub> = 20 kΩ	
	T-OFF terminal voltage	V <sub>T-OFF</sub>	2.9	3.5	4.2	V	R <sub>OFF</sub> = 17 kΩ	
SOFT	Oscillating frequency during SOFT operation	V <sub>SOFT</sub> = 5.5 V	f <sub>OSCSOFT</sub>	170	188	207	kHz	R <sub>ON</sub> = 20 kΩ, R <sub>OFF</sub> = 17 kΩ C <sub>F</sub> = 220 pF
		V <sub>SOFT</sub> = 2.5 V	111	131	151			
		V <sub>SOFT</sub> = 0.2 V	19.0	23.3	27.0			
	SOFT terminal input current	I <sub>SOFTIN</sub>	-0.5	-0.1	—	μA	V <sub>SOFT</sub> = 1 V	
SOFT terminal discharging current	I <sub>SOFTDIS</sub>	1	3.3	—	mA	Discharge current of SOFT terminal at V <sub>CC</sub> less than V <sub>CC(STOP)</sub>		
REG	Regulator output voltage	V <sub>REG</sub>	6.8	7.8	8.8	V		
Output	Output low voltage	V <sub>OL1</sub>	—	0.04	0.4	V	V <sub>CC</sub> = 18 V, I <sub>O</sub> = 10 mA	
		V <sub>OL2</sub>	—	0.7	1.4	V	V <sub>CC</sub> = 18 V, I <sub>O</sub> = 100 mA	
		V <sub>OL3</sub>	—	0.85	1.0	V	V <sub>CC</sub> = 5 V, I <sub>O</sub> = 1 mA	
		V <sub>OL4</sub>	—	1.3	2.0	V	V <sub>CC</sub> = 5 V, I <sub>O</sub> = 100 mA	
	Output high voltage	V <sub>OH1</sub>	16.0	16.7	—	V	V <sub>CC</sub> = 18 V, I <sub>O</sub> = -10 mA	
		V <sub>OH2</sub>	15.5	16.5	—	V	V <sub>CC</sub> = 18 V, I <sub>O</sub> = -100 mA	
	Output voltage rise time	T <sub>RISE</sub>	—	60	—	ns		
Output voltage fall time	T <sub>FALL</sub>	—	40	—	ns			
Detection	Detection voltage	V <sub>DET</sub>	2.4	2.5	2.6	V		
	DET terminal input current	I <sub>INDET</sub>	—	1.0	3.0	μA	V <sub>DET</sub> = 2.5 V	
	Voltage gain of detection amp	G <sub>AVDET</sub>	30	40	—	dB		

勝特力材料 886-3-5753170  
 勝特力电子(上海) 86-21-34970699  
 勝特力电子(深圳) 86-755-83298787  
[Http://www.100y.com.tw](http://www.100y.com.tw)

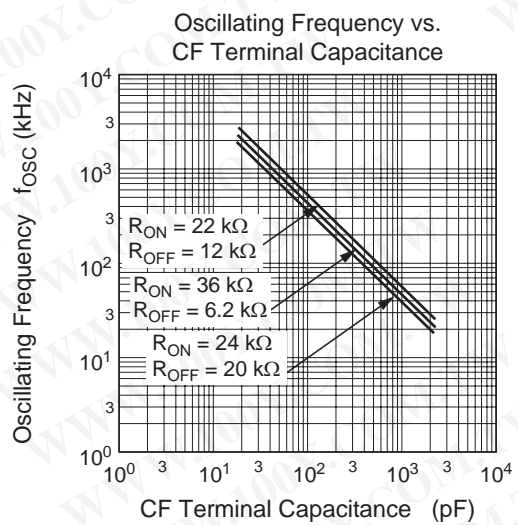
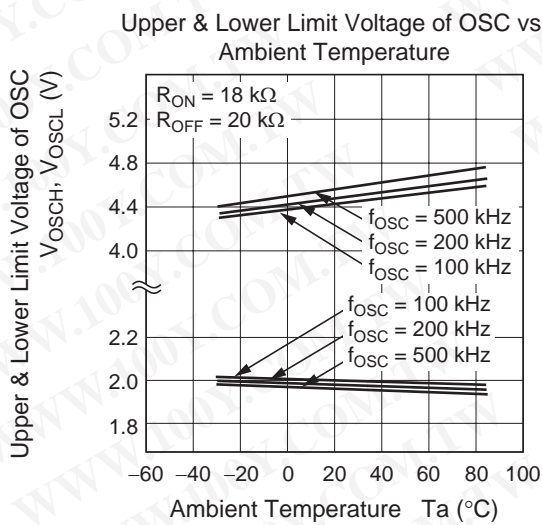
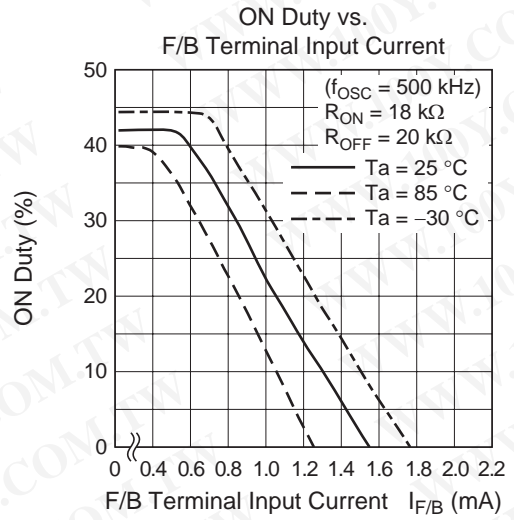
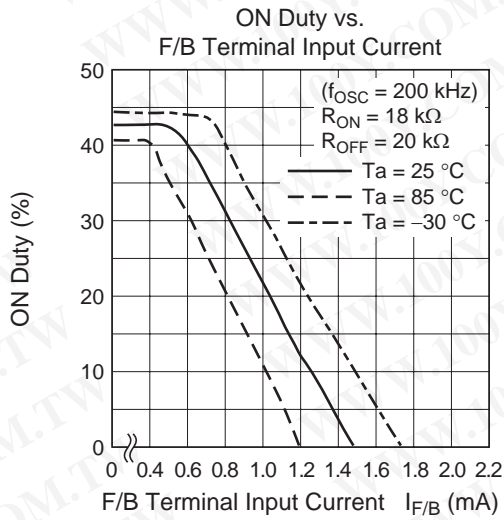
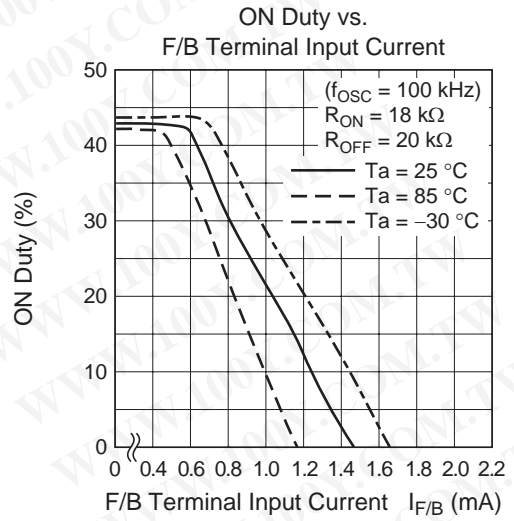
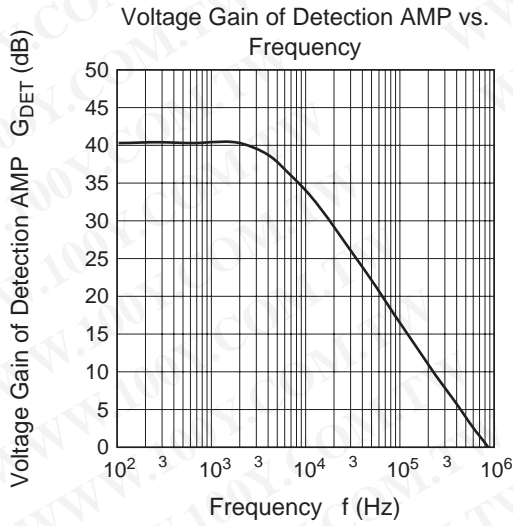
Main Characteristics



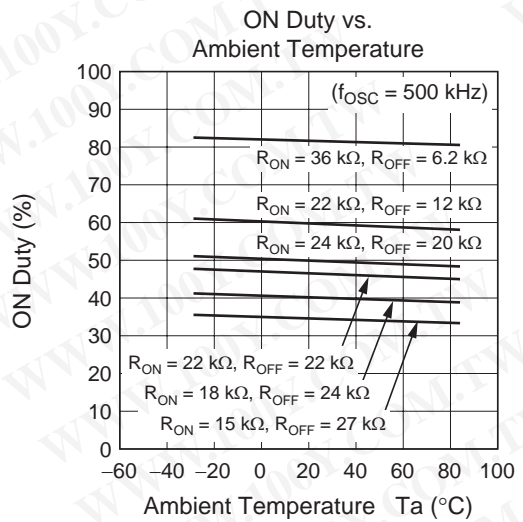
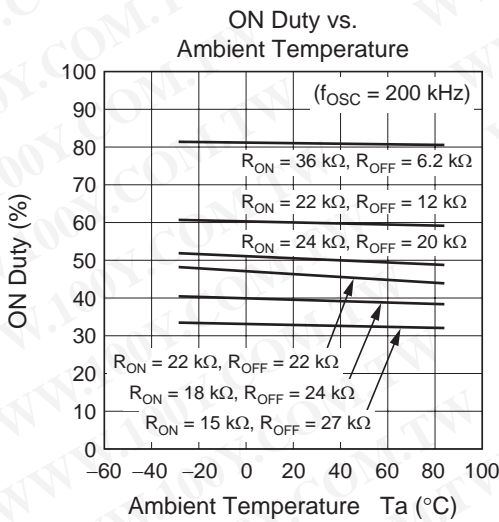
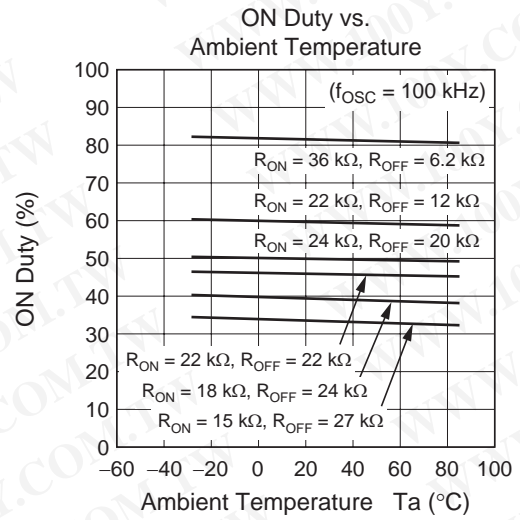
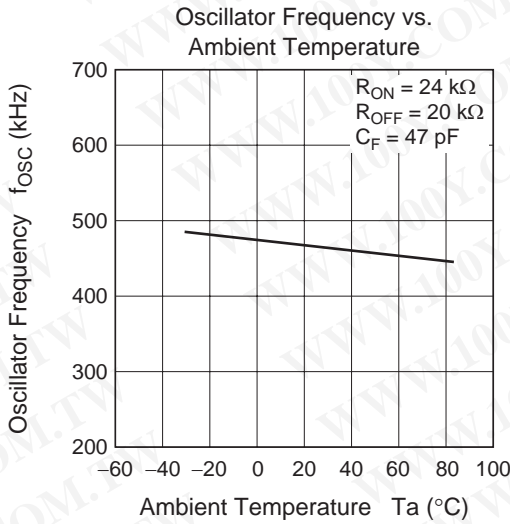
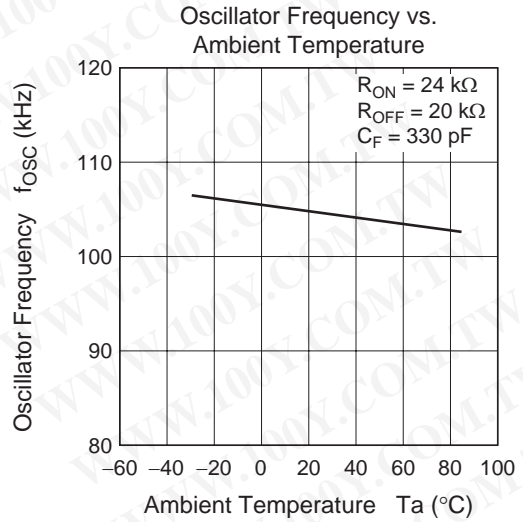
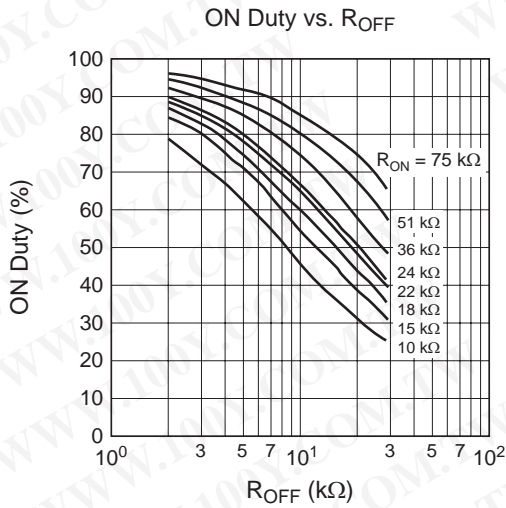


勝特力材料 886-3-5753170  
 勝特力电子(上海) 86-21-34970699  
 勝特力电子(深圳) 86-755-83298787  
[Http://www.100y.com.tw](http://www.100y.com.tw)

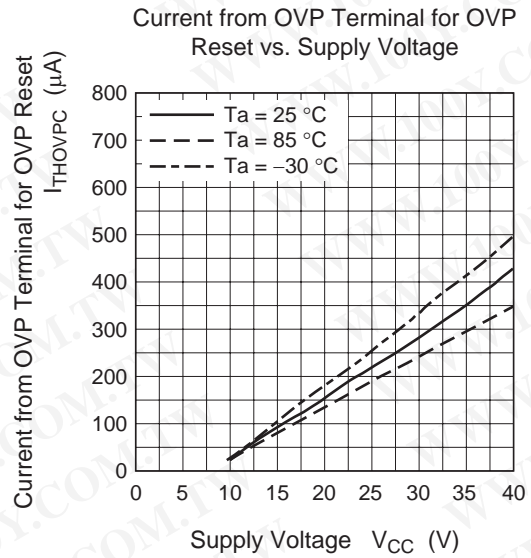
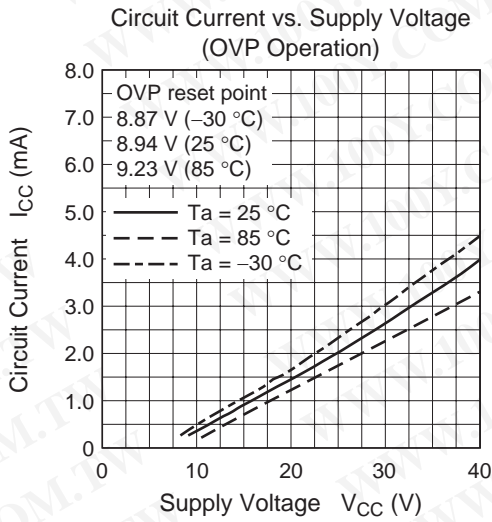
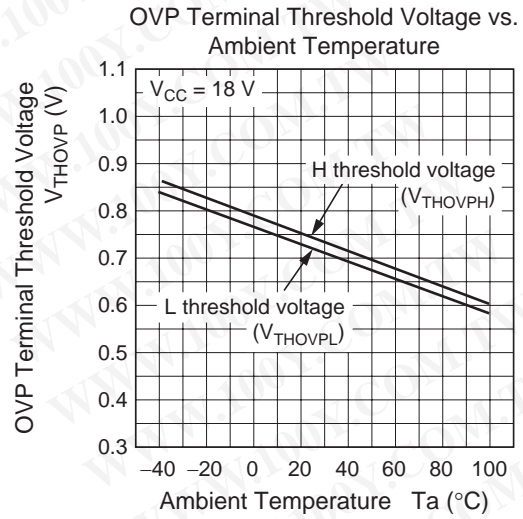
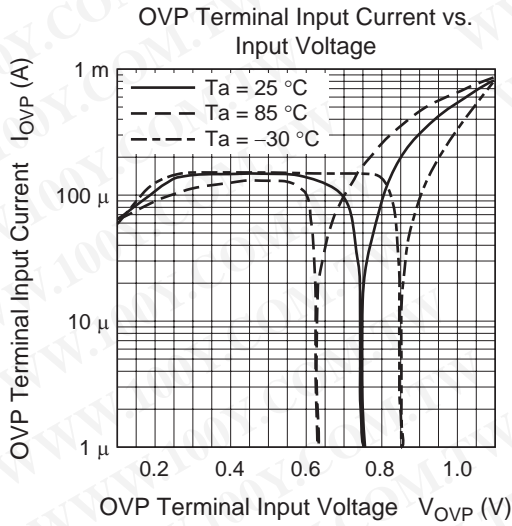




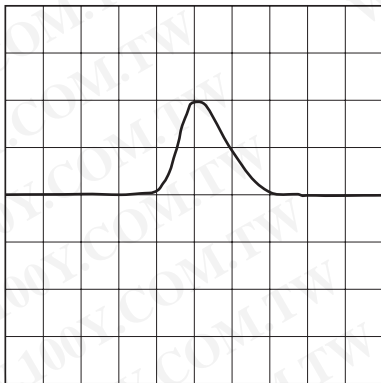
勝特力材料 886-3-5753170  
 勝特力电子(上海) 86-21-34970699  
 勝特力电子(深圳) 86-755-83298787  
[Http://www.100y.com.tw](http://www.100y.com.tw)



勝特力材料 886-3-5753170  
 勝特力电子(上海) 86-21-34970699  
 勝特力电子(深圳) 86-755-83298787  
[Http://www.100y.com.tw](http://www.100y.com.tw)

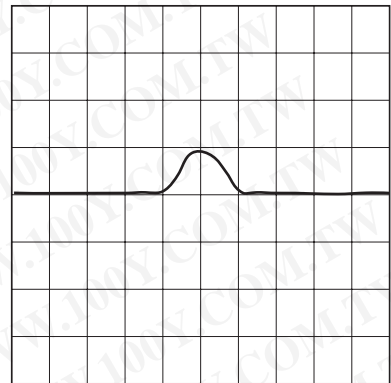


Output Through Current Waveform at Rising Edge of Output Pulse



Horizontal-axis: 20 ns/div  
 Vertical-axis: 50 mA/div

Output Through Current Waveform at Falling Edge of Output Pulse



Horizontal-axis: 20 ns/div  
 Vertical-axis: 5 mA/div

勝特力材料 886-3-5753170  
 勝特力电子(上海) 86-21-34970699  
 勝特力电子(深圳) 86-755-83298787  
[Http://www.100y.com.tw](http://www.100y.com.tw)



## Function Description

Type M51996AP and M51996AFP are especially designed for off-line primary PWM control IC of switching mode power supply to get DC voltage from AC power supply.

Using this IC, smart SMPS can be realized with reasonable cost and compact size as the number of external electric parts can be reduced and also parts can be replaced by reasonable one.

In the following circuit diagram, MOS FET is used for output transistor, however bipolar transistor can be replaced with no problem.

## Start-up Circuit Section

The start-up current is such low current level as typical 100  $\mu\text{A}$ , as shown in figure 1, when the  $V_{CC}$  voltage is increased from low level to start-up voltage  $V_{CC(\text{START})}$ .

In this voltage range, only a few parts in this IC, which has the function to make the output voltage low level, is alive and  $I_{CC}$  current is used to keep output low level. The large voltage difference between  $V_{CC(\text{START})}$  and  $V_{CC(\text{STOP})}$  makes start-up easy, because it takes rather long duration from  $V_{CC(\text{START})}$  to  $V_{CC(\text{STOP})}$ .

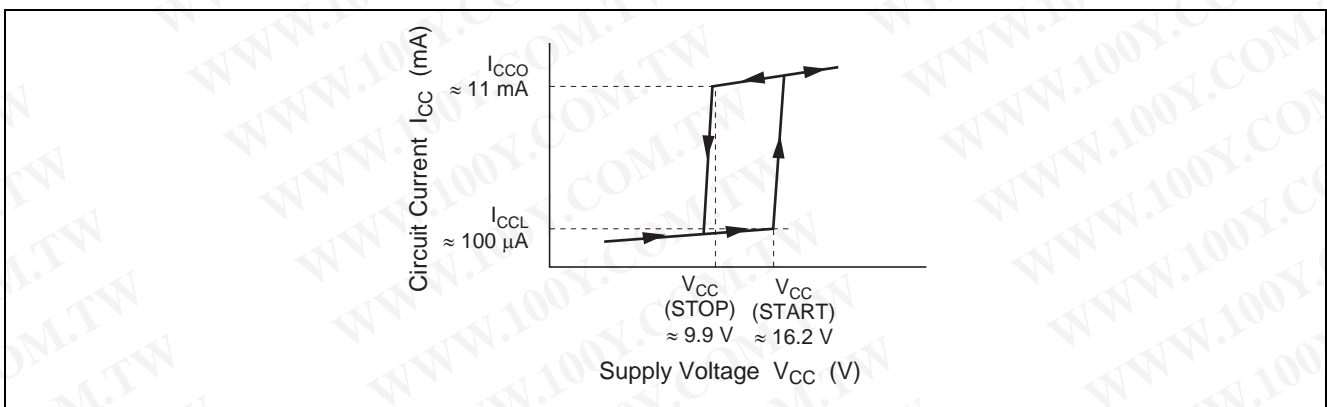


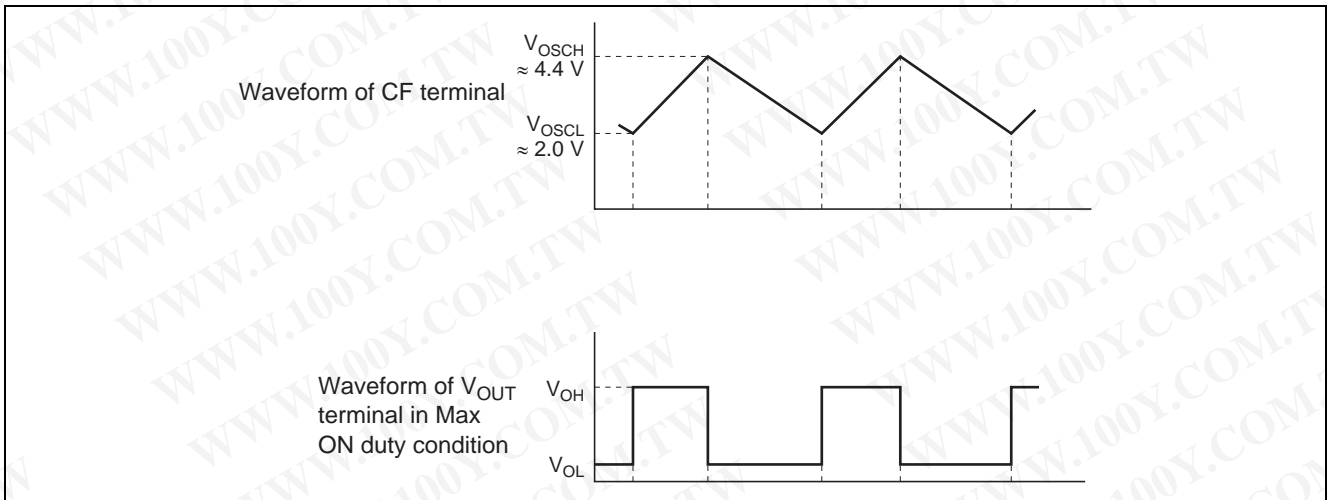
Figure 1 Circuit Current vs. Supply Voltage

勝特力材料 886-3-5753170  
 勝特力电子(上海) 86-21-34970699  
 勝特力电子(深圳) 86-755-83298787  
[Http://www.100y.com.tw](http://www.100y.com.tw)

**Oscillator Section**

The oscillation waveform is the triangle one. The ON-duration of output pulse depends on the rising duration of the triangle waveform and dead-time is decided by the falling duration.

The rising duration is determined by the product of external resistor  $R_{ON}$  and capacitor  $C_F$  and the falling duration is mainly determined by the product of resistor  $R_{OFF}$  and capacitor  $C_F$ .



**Figure 2 OSC. Waveform at Normal Condition (no-operation of intermittent action and OSC control circuit)**

- Oscillator operation when SOFT circuit does not operate

Figure 3 shows the equivalent charging and discharging circuit diagram of oscillator.

The current flows through  $R_{ON}$  from the constant voltage source of 5.8 V.  $C_F$  is charged up by the same amplitude as  $R_{ON}$  current, when internal switch SW1, SW2 is switched to “charging side”. The rise rate of  $C_F$  terminal is given as

$$\approx \frac{V_{T-ON}}{R_{ON} \times C_F} \text{ (V/s)} \dots\dots\dots (1)$$

where  $V_{T-ON} \approx 4.5 \text{ V}$

The maximum on duration is approximately given as

$$\approx \frac{(V_{OSCH} - V_{OSCL}) \times R_{ON} \times C_F}{V_{T-ON}} \text{ (s)} \dots\dots\dots (2)$$

where  $V_{OSCH} \approx 4.4 \text{ V}$

$V_{OSCL} \approx 2.0 \text{ V}$

$C_F$  is discharged by the summed-up of  $R_{OFF}$  current and one sixteenth (1/16) of  $R_{ON}$  current by the function of Q2, Q3 and Q4 when SW1, SW2 are switched to “discharge side”.

So fall rate of CF terminal is given as

$$\approx \frac{V_{T-OFF}}{R_{OFF} \times C_F} + \frac{V_{T-ON}}{16 \times R_{ON} \times C_F} \text{ (V/s)} \dots\dots\dots (3)$$

The minimum off duration approximately is given as

$$\approx \frac{(V_{OSCH} - V_{OSCL}) \times C_F}{\frac{V_{T-OFF}}{R_{OFF}} + \frac{V_{T-ON}}{16 \times R_{ON}}} \text{ (s)} \dots\dots\dots (4)$$

The cycle time of oscillation is given by the summation of equations 2 and 4.

The frequency including the dead-time is not influenced by the temperature because of the built-in temperature compensating circuit.

**勝特力材料 886-3-5753170**  
**勝特力电子(上海) 86-21-34970699**  
**勝特力电子(深圳) 86-755-83298787**  
[Http://www.100y.com.tw](http://www.100y.com.tw)

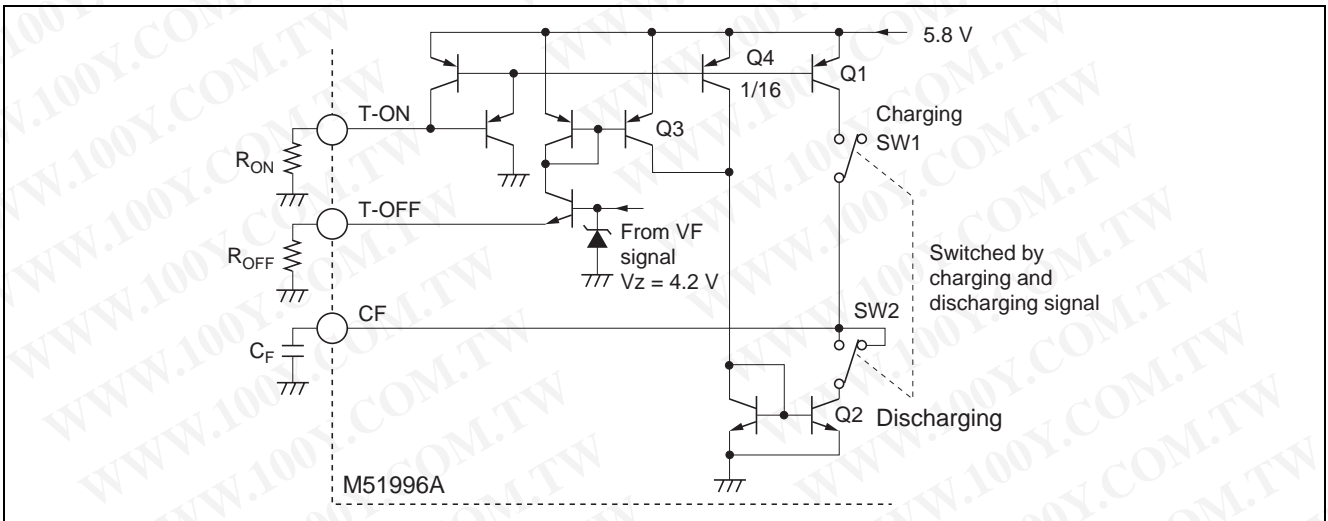


Figure 3 Schematic Diagram of Charging and Discharging Control Circuit for OSC Capacitor  $C_f$

2. Oscillator operation when the SOFT (soft start) circuit is operating.

Output transistor is protected from rush current by CLM function at the start time of power on. SOFT terminal is used to improve the rising response of the output voltage of power supply (prevention of overshooting).

The ON duration of output is kept constant, and the OFF duration is extended as the SOFT terminal voltage becomes lower by the soft start circuit of this IC.

The maximum value of extension is set internally at approximately sixteen times of the maximum ON duration.

The features of this method are as follows :

- (1) It is ideal for primary control as IC driving current is supplied from the third winding of the main transformer at the start-up because constant ON duration is obtained from start-up.
- (2) It is possible to get a wide dynamic range for ON/OFF ratio by pulse-by-pulse current limit circuit.
- (3) The response characteristics at power-on is not affected by input voltage as the pulse-by-pulse limit current value is not affected by the input voltage.

Figure 4 shows the circuit diagram of the soft start. If SOFT terminal voltage is low, T-OFF terminal voltage becomes low and  $V_{T-OFF}$  in equations (3) and (4) become low.

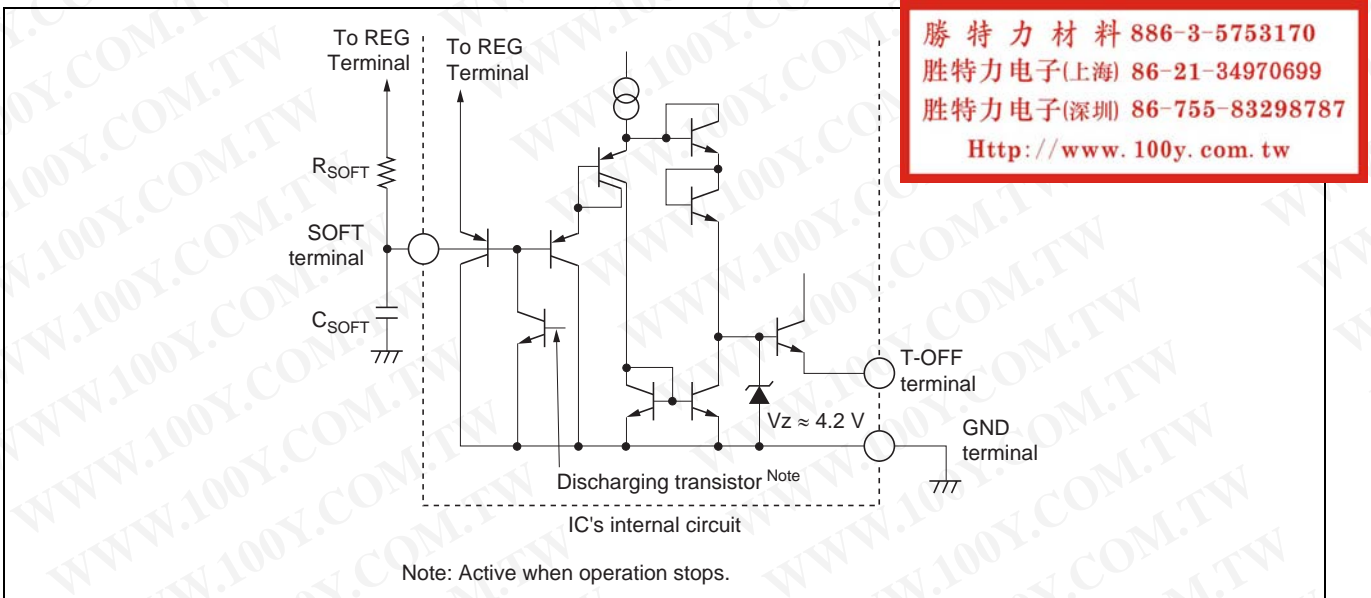


Figure 4 Circuit Diagram of SOFT Terminal Section and T-OFF Terminal Section

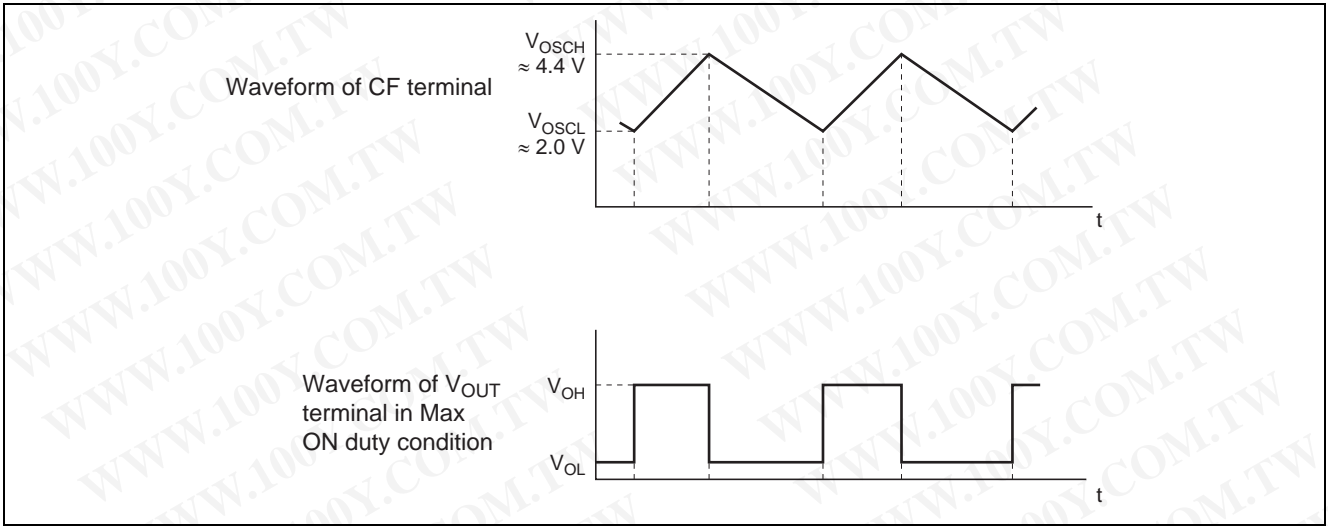


Figure 5 Oscillator Waveform When the SOFT Circuit is Operating

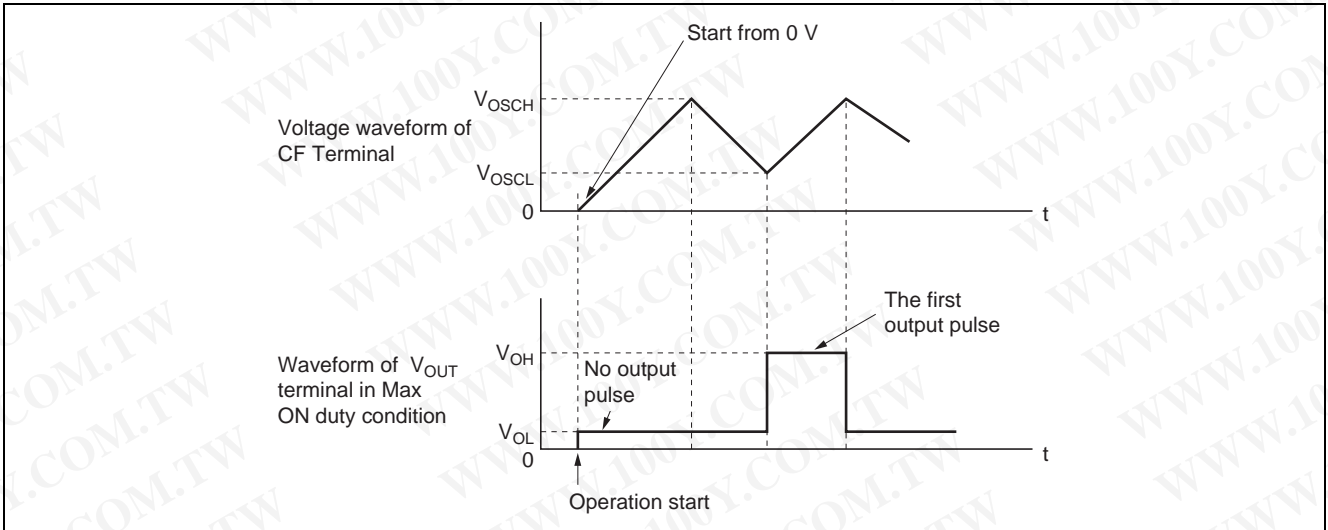


Figure 6 Relationship Between Oscillator Waveform and Output Waveform at Start-up

Figure 5 shows the relationship between oscillator waveform and output pulse. If the SOFT terminal voltage is  $V_{SOFT}$ , the rise rate of CF terminal given as

$$\approx \frac{V_{T-ON}}{R_{ON} \times C_F} \text{ (V/s)} \dots \dots \dots (5)$$

The fall rate of oscillation waveform is given as

$$\approx \frac{V_{SOFT} - V_{BE}}{R_{OFF} \times C_F} + \frac{V_{T-ON}}{16 \times R_{ON} \times C_F} \text{ (V/s)} \dots \dots \dots (6)$$

Where

$V_{SOFT}$  ; SOFT terminal applied voltage

$V_{BE} \approx 0.65 \text{ V}$

If  $V_{SOFT} - V_{BE} < 0$ ,  $V_{SOFT} - V_{BE} = 0$

If  $V_{SOFT} - V_{BE} > V_{T-OFF} (\approx 3.5 \text{ V})$ ,  $V_{SOFT} - V_{BE} = V_{T-OFF}$

勝特力材料 886-3-5753170  
 勝特力电子(上海) 86-21-34970699  
 勝特力电子(深圳) 86-755-83298787  
[Http://www.100y.com.tw](http://www.100y.com.tw)



**PWM Comparator, PWM Latch and Current Limit Latch Section**

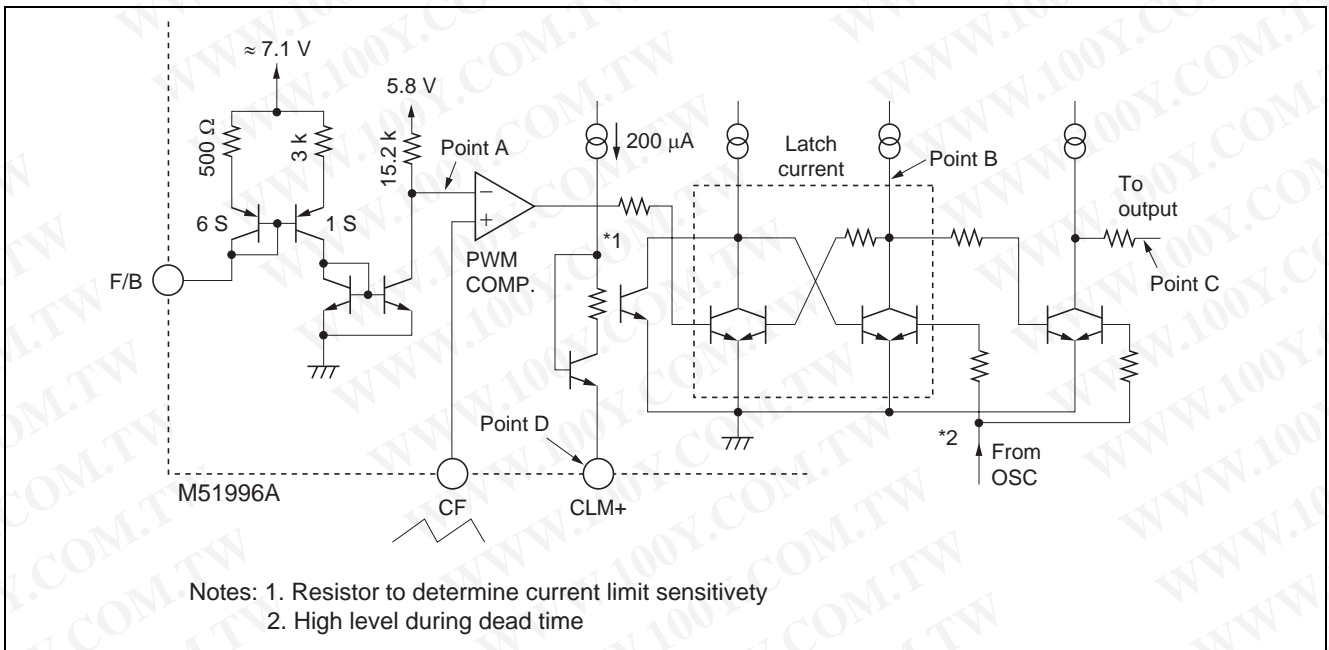
Figure 7 shows the schematic diagram of PWM comparator and PWM latch section. The on-duration of output waveform coincides with the rising duration of CF terminal waveform, when the no output current flows from F/B terminal.

When the F/B terminal has finite impedance and current flows out from F/B terminal, "A" point potential shown in figure 7 depends on this current. So the "A" point potential is close to GND level when the flow-out current becomes large.

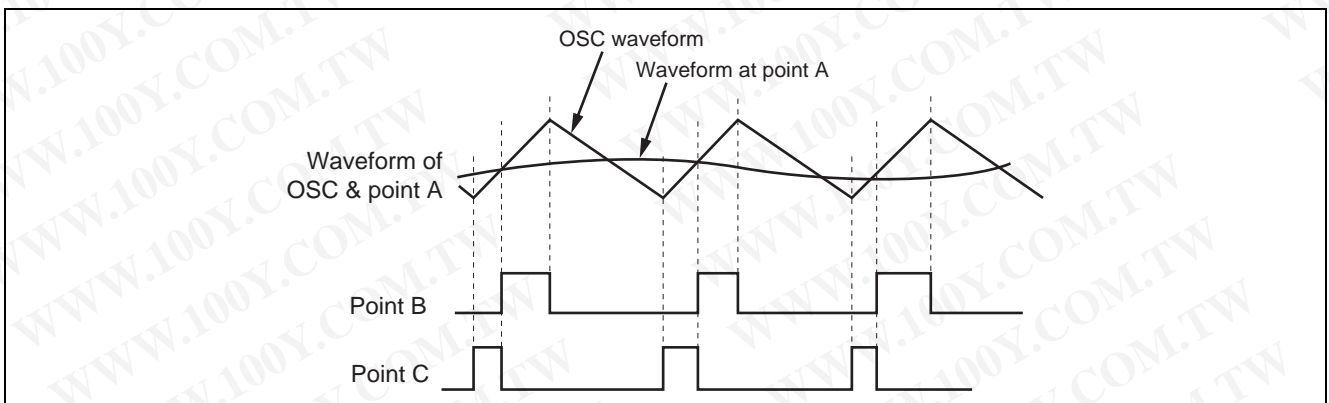
"A" point potential is compared with the CF terminal oscillator waveform and PWM comparator, and the latch circuit is set when the potential of oscillator waveform is higher than "A" point potential.

The latch circuit is reset during the dead-time of oscillation (falling duration of oscillation current). So the "B" point potential or output waveform of latch circuit is the one shown in figure 8.

The final output waveform or "C" point potential is got by combining the "B" point signal and dead-time signal logically. (please refer to figure 8)



**Figure 7 PWM Comparator PWM Latch and Current Limit Latch Section**



**Figure 8 Waveforms of PWM Comparator Input Point A, Latch Circuit Points B and C**

勝特力材料 886-3-5753170  
 勝特力电子(上海) 86-21-34970699  
 勝特力电子(深圳) 86-755-83298787  
[Http://www.100y.com.tw](http://www.100y.com.tw)

When the current-limit signal is applied before the crossing instant of “A” pint potential and CF terminal voltage shown in figure 7, this signal makes the output “off” and the off state will continue until next cycle. Figure 9 shows the timing relation among them.

If the current limiting circuit is set, no waveform is generated at output terminal, however this state is reset during the succeeding dead-time.

So this current limiting circuit is able to have the function in every cycle, and is named “pulse-by-pulse current limit”.

There happen some noise voltage on  $R_{CLM}$  during the switching of power transistor due to the snubber circuit and stray capacitor of the transformer windings.

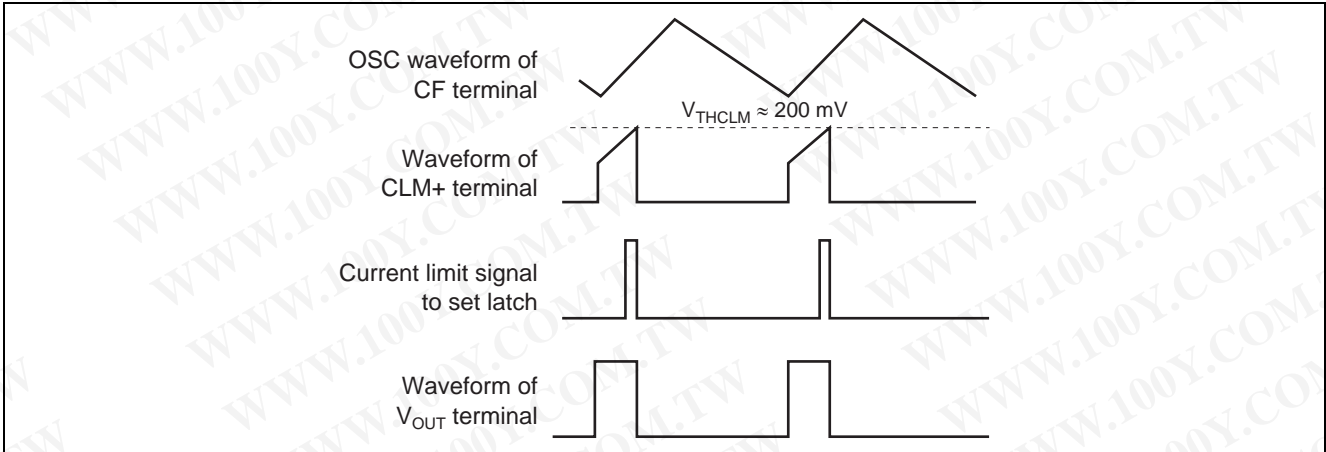


Figure 9 Operating Waveform of Current Limiting Circuit

To eliminate the abnormal operation by the noise voltage, the low pass filter, which consists of  $R_{NF}$  and  $C_{NF}$  is used as shown in figure 10.

It is recommended to use 10 to 100  $\Omega$  for  $R_{NF}$  because such range of  $R_{NF}$  is not influenced by the flow-out current of some 200  $\mu\text{A}$  from CLM+ terminal and  $C_{NF}$  is designed to have the enough value to absorb the noise voltage.

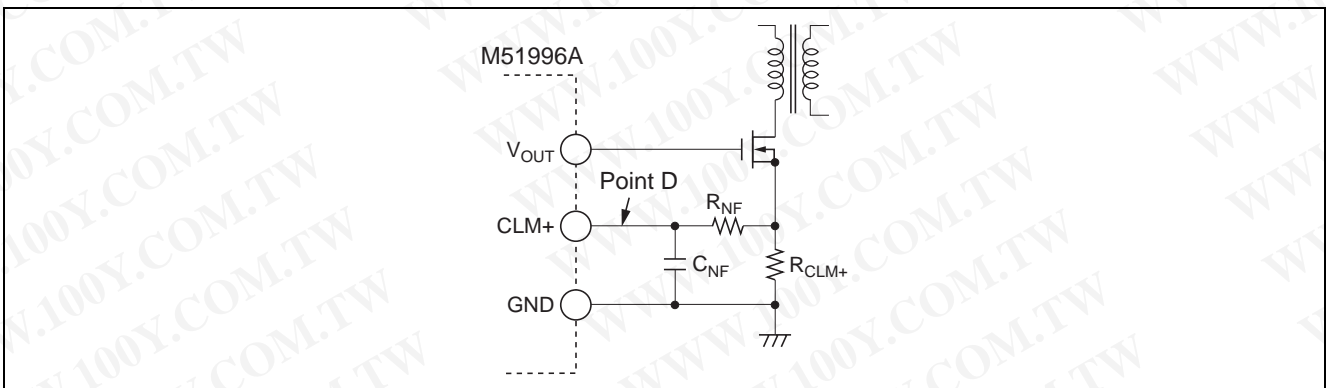


Figure 10 Connection Diagram of Current Limit Circuit

勝特力材料 886-3-5753170  
 勝特力电子(上海) 86-21-34970699  
 勝特力电子(深圳) 86-755-83298787  
[Http://www.100y.com.tw](http://www.100y.com.tw)

### Voltage Detector Circuit (DET) Section

The DET terminal can be used to control the output voltage which is determined by the winding ratio of fly back transformer in fly-back system or in case of common ground circuit of primary and secondary in feed forward system.

The circuit diagram is quite similar to that of shunt regulator type 431 as shown in figure 11. As well known from figure 11 and figure 12, the output of OP AMP has the current-sink ability, when the DET terminal voltage is higher than 2.5 V.

But it becomes high impedance state when lower than 2.5 V DET terminal and F/B terminal have inverting phase characteristics each other, so it is recommended to connect the resistor and capacitor in series between them for phase compensation. It is very important one can not connect by resistor directly as there is the voltage difference between them and the capacitor has the DC stopper function.

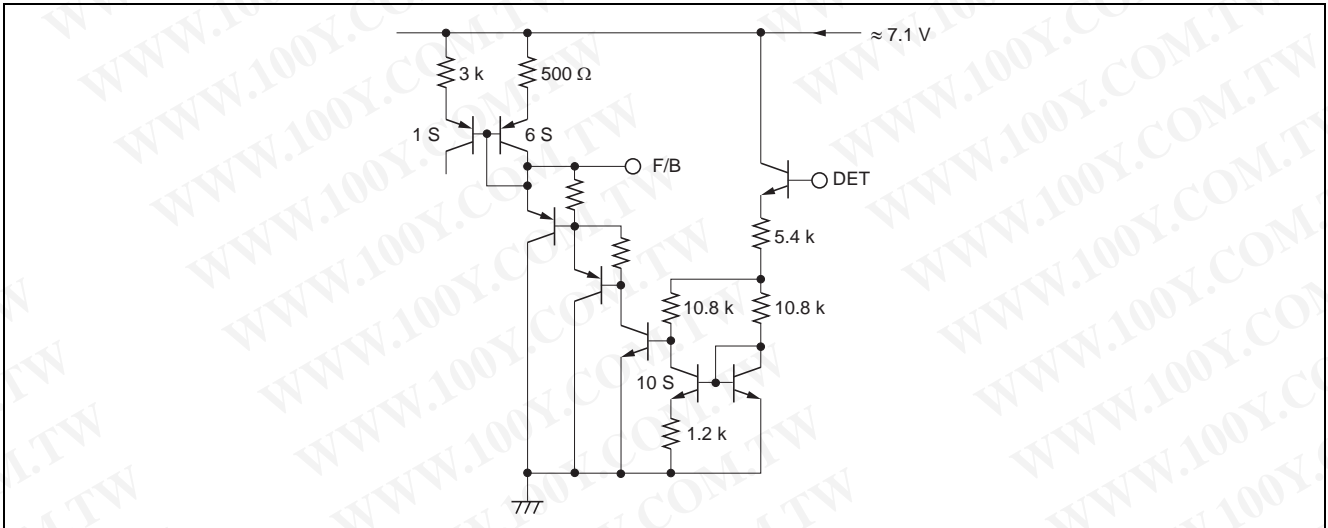


Figure 11 Voltage Detector Circuit Section (DET)

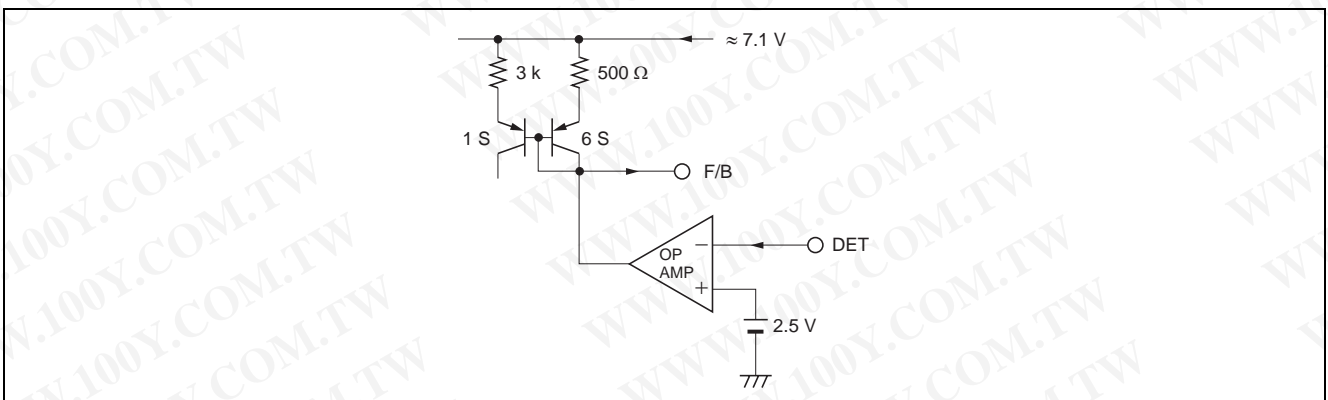


Figure 12 Schematic Diagram of Voltage Detector Circuit Section (DET)

勝特力材料 886-3-5753170  
 勝特力电子(上海) 86-21-34970699  
 勝特力电子(深圳) 86-755-83298787  
[Http://www.100y.com.tw](http://www.100y.com.tw)

## OVP Circuit (Over Voltage Protection Circuit) Section

OVP circuit is basically positive feedback circuit constructed by Q2, Q3 as shown in figure 13.

Q2, Q3 turn on and the circuit operation of IC stops, when the input signal is applied to OVP terminal. (threshold voltage  $\approx 750$  mV)

The current value of  $I_2$  is about  $150\mu\text{A}$  when the OVP does not operates but it decreases to about  $2\mu\text{A}$  when OVP operates.

It is necessary to input the sufficient larger current ( $800\mu\text{A}$  to  $8\text{mA}$ ) than  $I_2$  for triggering the OVP operation.

The reason to decrease  $I_2$  is that it is necessary that  $I_{CC}$  at the OVP rest supply voltage is small.

It is necessary that OVP state holds by circuit current from R1 in the application example, so this IC has the characteristic of small  $I_{CC}$  at the OVP reset supply voltage ( $\approx$  stand-by current +  $20\mu\text{A}$ )

On the other hand, the circuit current is large in the higher supply voltage, so the supply voltage of this IC doesn't become so high by the voltage drop across R1.

This characteristic is shown in figure 14.

The OVP terminal input current in the voltage lower than the OVP threshold voltage is based on  $I_2$  and the input current in the voltage higher than the OVP threshold voltage is the sum of the current flowing to the base of Q3 and the current flowing from the collector of Q2 to the base.

For holding in the latch state, it is necessary that the OVP terminal voltage is kept in the voltage higher than  $V_{BE}$  of Q3.

So if the capacitor is connected between the OVP terminal and GND, even though Q2 turns on in a moment by the surge voltage, etc, this latch action does not hold if the OVP terminal voltage does not become higher than  $V_{BE}$  of Q3 by charging this capacitor.

For resetting OVP state, it is necessary to make the OVP terminal voltage lower than the OVP L threshold voltage or make  $V_{CC}$  lower than the OVP reset supply voltage.

As the OVP reset voltage is settled on the rather high voltage of  $9.0\text{V}$ , SMPS can be reset in rather short time from the switch-off of the AC power source if the smoothing capacitor is not so large value.

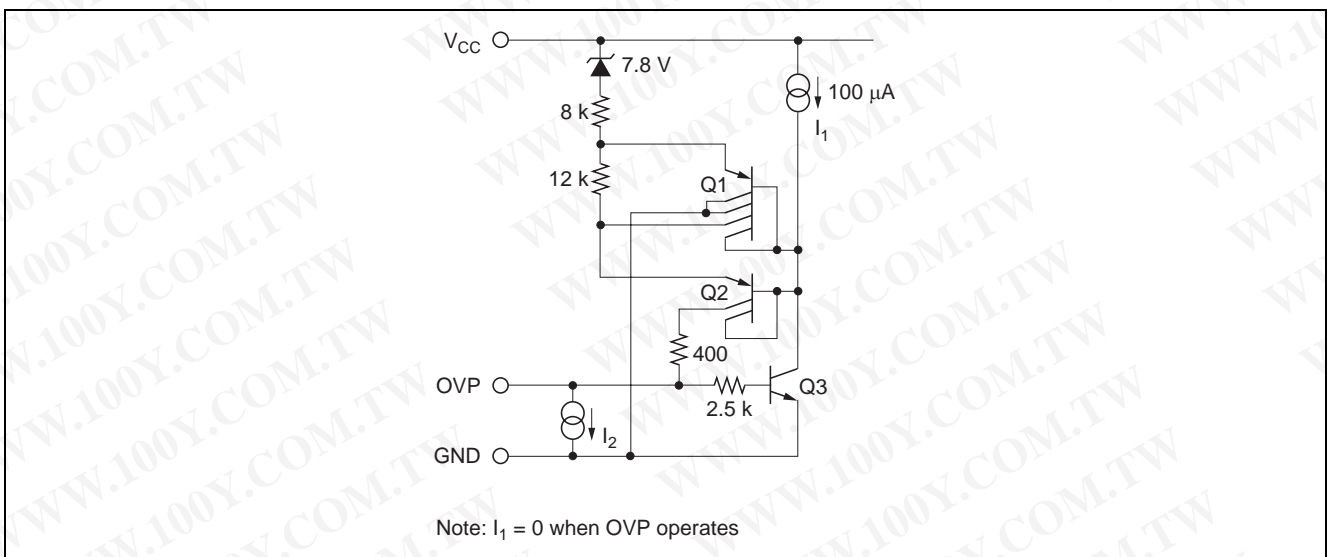


Figure 13 Detail Diagram of OVP Circuit

勝特力材料 886-3-5753170  
 勝特力电子(上海) 86-21-34970699  
 勝特力电子(深圳) 86-755-83298787  
[Http://www.100y.com.tw](http://www.100y.com.tw)

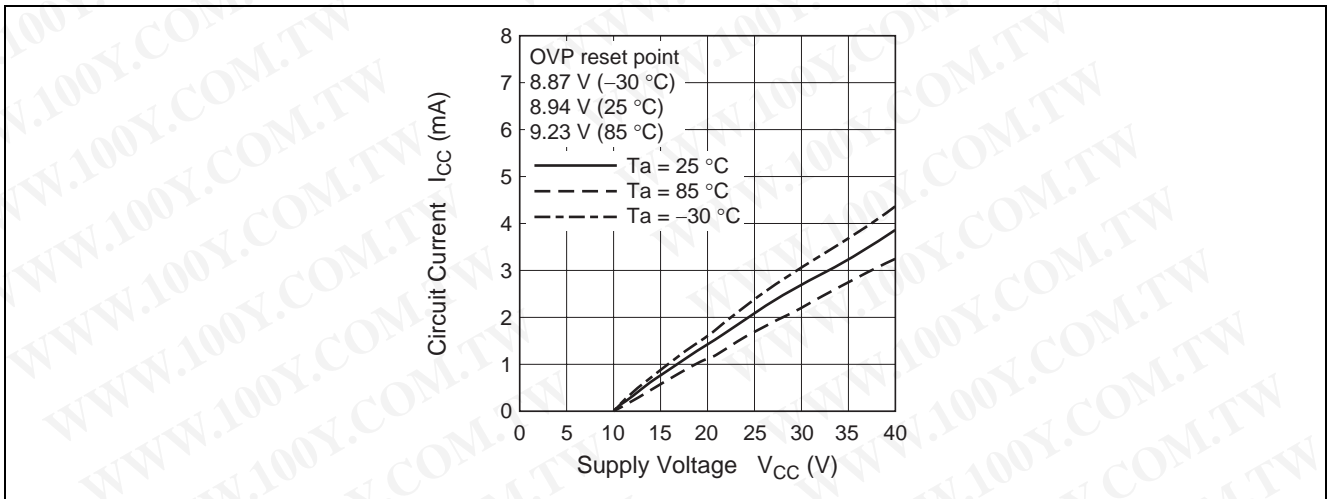


Figure 14 Circuit Current vs. Supply Voltage (OVP Operation)

### Output Section

It is required that the output circuit have the high sink and source abilities for MOS FET drive. It is well known that the “totem-pole circuit has high sink and source ability. However, it has the demerit of high through current.

For example, the through current may reach such the high current level of 1 A, if type M51996A has the “conventional” totem-pole circuit. For the high frequency application such as higher than 100 kHz, this through current is very important factor and will cause not only the large  $I_{CC}$  current and the inevitable heat-up of IC but also the noise voltage.

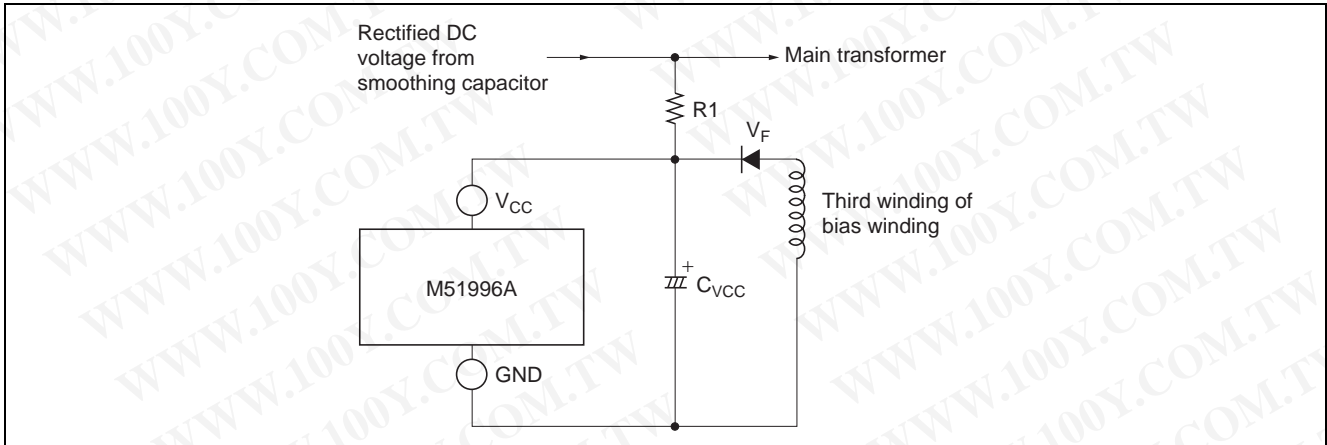
This IC uses the improved totem-pole circuit, so without deteriorating the characteristic of operating speed, its through current is approximately 100 mA.

勝特力材料 886-3-5753170  
 勝特力电子(上海) 86-21-34970699  
 勝特力电子(深圳) 86-755-83298787  
[Http://www.100y.com.tw](http://www.100y.com.tw)

## Application Note of Type M51996AP/AFP

### Design of Start-up Circuit and The Power Supply of IC

1. The start-up circuit when it is not necessary to set the start and stop input voltage



**Figure 15 Start-up Circuit Diagram When it is Not Necessary to Set The Start and Stop Input Voltage**

Figure 15 shows one of the example circuit diagram of the start-up circuit which is used when it is not necessary to set the start and stop voltage.

It is recommended that the current more than 300  $\mu\text{A}$  flows through R1 in order to overcome the operation start-up current  $I_{CC(\text{START})}$  and  $C_{VCC}$  is in the range of 10 to 47  $\mu\text{F}$ . The product of R1 by  $C_{VCC}$  causes the time delay of operation, so the response time will be long if the product is too much large.

Just after the start-up, the  $I_{CC}$  current is supplied from  $C_{VCC}$ , however, under the steady state condition, IC will be supplied from the third winding or bias winding of transformer, the winding ratio of the third winding must be designed so that the induced voltage may be higher than the operation-stop voltage  $V_{CC(\text{STOP})}$ .

The  $V_{CC}$  voltage is recommended to be 12 V to 17 V as the normal and optimum gate voltage is 10 to 15 V and the output voltage ( $V_{OH}$ ) of type M51996AP/AFP is about ( $V_{CC} - 2 \text{ V}$ ).

It is not necessary that the induced voltage is settled higher than the operation start-up voltage  $V_{CC(\text{START})}$ , and the high gate drive voltage causes high gate dissipation, on the other hand, too low gate drive voltage does not make the MOS FET fully on-state or the saturation state.

2. The start-up circuit when it is not necessary to set the start and stop input voltage

It is recommend to use the third winding of “forward winding” or “positive polarity” as shown in figure 16, when the DC source voltages at both the IC operation start and stop must be settled at the specified values.

The input voltage ( $V_{IN(\text{START})}$ ), at which the IC operation starts, is decided by R1 and R2 utilizing the low start-up current characteristics of type M51996AP/AFP.

The input voltage ( $V_{IN(\text{STOP})}$ ), at which the IC operation stops, is decided by the ratio of third winding of transformer.

The  $V_{IN(\text{START})}$  and  $V_{IN(\text{STOP})}$  are given by following equations.

$$V_{IN(\text{START})} \approx R1 \times I_{CCL} + \left( \frac{R1}{R2} + 1 \right) \times V_{CC(\text{START})} \dots\dots\dots (7)$$

$$V_{IN(\text{STOP})} \approx (V_{CC(\text{STOP})} - V_F) \times \frac{N_P}{N_B} + \frac{1}{2} V'_{IN \text{ RIP (P-P)}} \dots\dots (8)$$

Where

$I_{CCL}$  is the operation start-up current of IC

$V_{CC(\text{START})}$  is the operation start-up voltage of IC

$V_{CC(\text{STOP})}$  is the operation stop voltage of IC

$V_F$  is the forward voltage of rectifier diode

$V'_{IN(P-P)}$  is the peak to peak ripple voltage of

$$V_{CC \text{ terminal}} \approx \frac{N_B}{N_P} V'_{IN \text{ RIP (P-P)}}$$

It is required that the  $V_{IN(\text{START})}$  must be higher than  $V_{IN(\text{STOP})}$ .

勝特力材料 886-3-5753170  
 勝特力电子(上海) 86-21-34970699  
 勝特力电子(深圳) 86-755-83298787  
[Http://www.100y.com.tw](http://www.100y.com.tw)

When the third winding is the “fly back winding” or “reverse polarity”, the  $V_{IN(START)}$  can be fixed, however,  $V_{IN(STOP)}$  can not be settled by this system, so the auxiliary circuit is required.

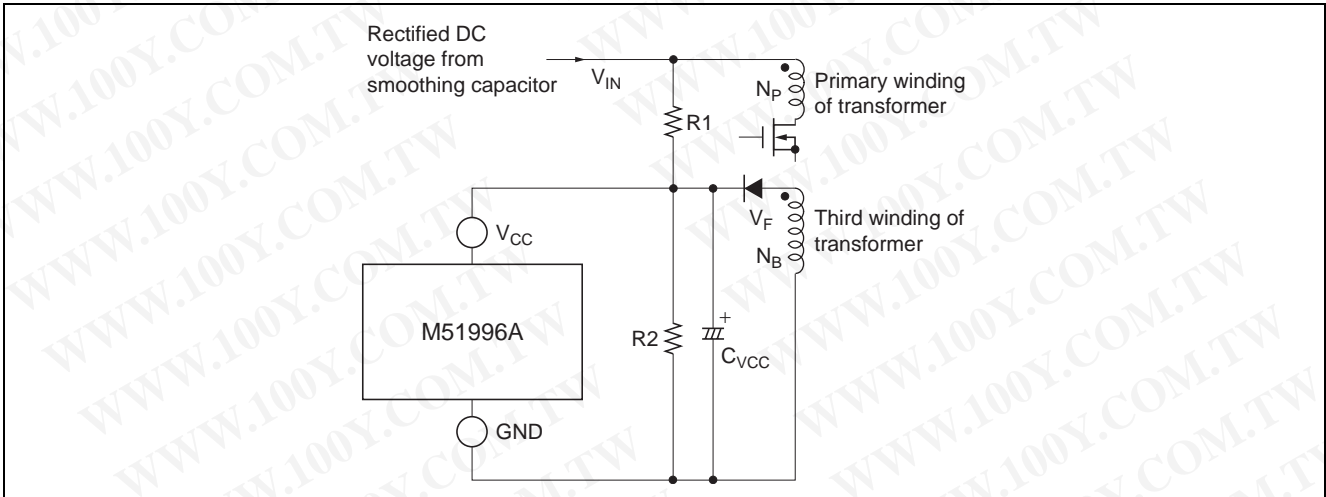


Figure 16 Start-up Circuit Diagram When It is Not Necessary to Set The Start and Stop Input Voltage

3. Notice to the  $V_{CC}$ ,  $V_{CC}$  line and GND line

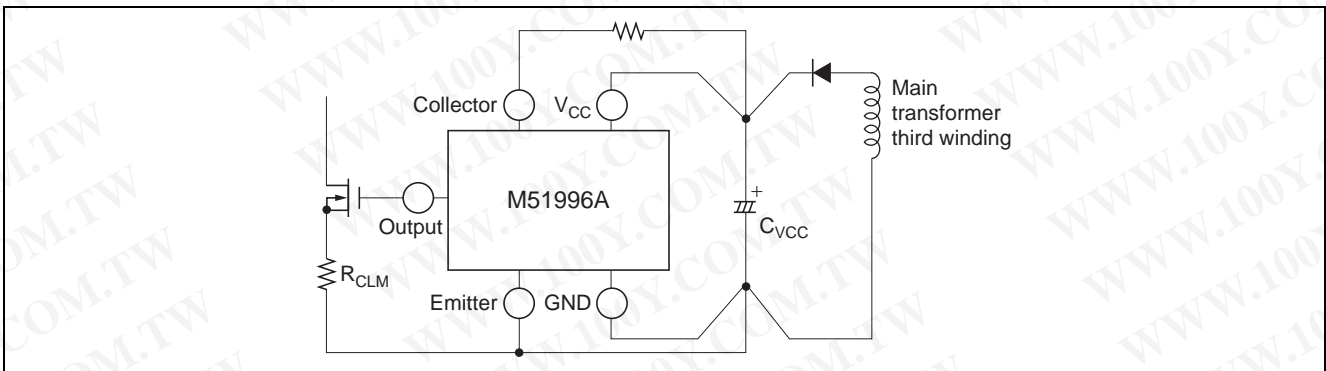


Figure 17 How to Design The Conductor-pattern of Type M51996A on PC Board (schematic example)

To avoid the abnormal IC operation, it is recommended to design the  $V_{CC}$  is not vary abruptly and has few spike voltage, which is induced from the stray capacity between the winding of main transformer.

To reduce the spike voltage, the  $C_{VCC}$ , which is connected between  $V_{CC}$  and ground, must have the good high frequency characteristics.

To design the conductor-pattern on PC board, following cautions must be considered as shown in figure 17.

- (1) To separate the emitter line of type M51996A from the GND line of the IC
- (2) To locate the  $C_{VCC}$  as near as possible to type M51996A and connect directly
- (3) To separate the collector line of type M51996A from the  $V_{CC}$  line of the IC
- (4) To connect the ground terminals of peripheral parts of ICs to GND of type M51996A as short as possible

勝特力材料 886-3-5753170  
 勝特力电子(上海) 86-21-34970699  
 勝特力电子(深圳) 86-755-83298787  
[Http://www.100y.com.tw](http://www.100y.com.tw)

4. Power supply circuit for easy start-up

When IC start to operate, the voltage of the  $C_{VCC}$  begins to decrease till the  $C_{VCC}$  becomes to be charged from the third winding of main-transformer as the  $I_{CC}$  of the IC increases abruptly. In case shown in figure 15 and 16, some “unstable start-up” or “fall to start-up” may happen, as the charging interval of  $C_{VCC}$  is very short duration; that is the charging does occur only the duration while the induced winding voltage is higher than the  $C_{VCC}$  voltage, if the induced winding voltage is nearly equal to the “operation-stop voltage” of type M51996A.

It is recommended to use the 10 to 47  $\mu\text{F}$  for  $C_{VCC1}$ , and about 5 times capacity bigger than  $C_{VCC1}$  for  $C_{VCC2}$ .

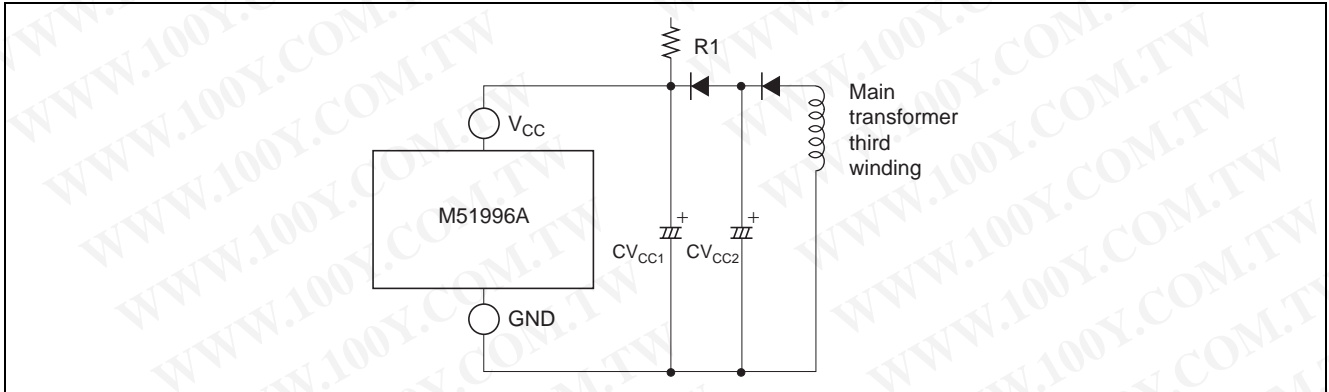


Figure 18 DC Source Circuit for Stable Start-up

勝特力材料 886-3-5753170  
 勝特力电子(上海) 86-21-34970699  
 勝特力电子(深圳) 86-755-83298787  
[Http://www.100y.com.tw](http://www.100y.com.tw)



**OVP Circuit**

1. To avoid the miss operation of OVP

It is recommended to connect the capacitor between OVP terminal and GND for avoiding the miss operation by the spike noise.

The OVP terminal is connected with the sink current source ( $\approx 150 \mu\text{A}$ ) in IC when OVP does not operate, for absorbing the leak current of the photo coupler in the application.

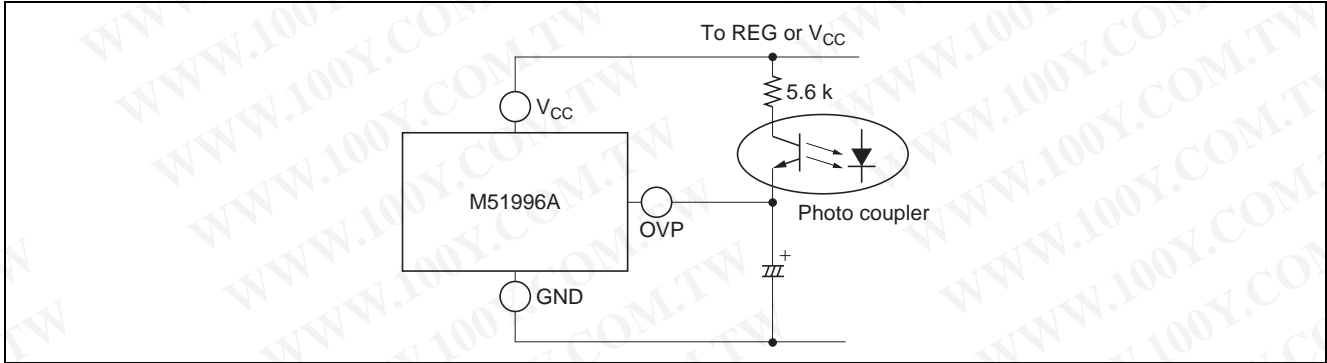
So the resistance between the OVP terminal and GND for leak-cut is not necessary.

If the resistance is connected, the supply current at the OVP reset supply voltage becomes large.

As the result, the OVP reset supply voltage may become higher than the operation stop voltage.

In that case, the OVP action is reset when the OVP is triggered at the supply voltage a little high than the operation stop voltage.

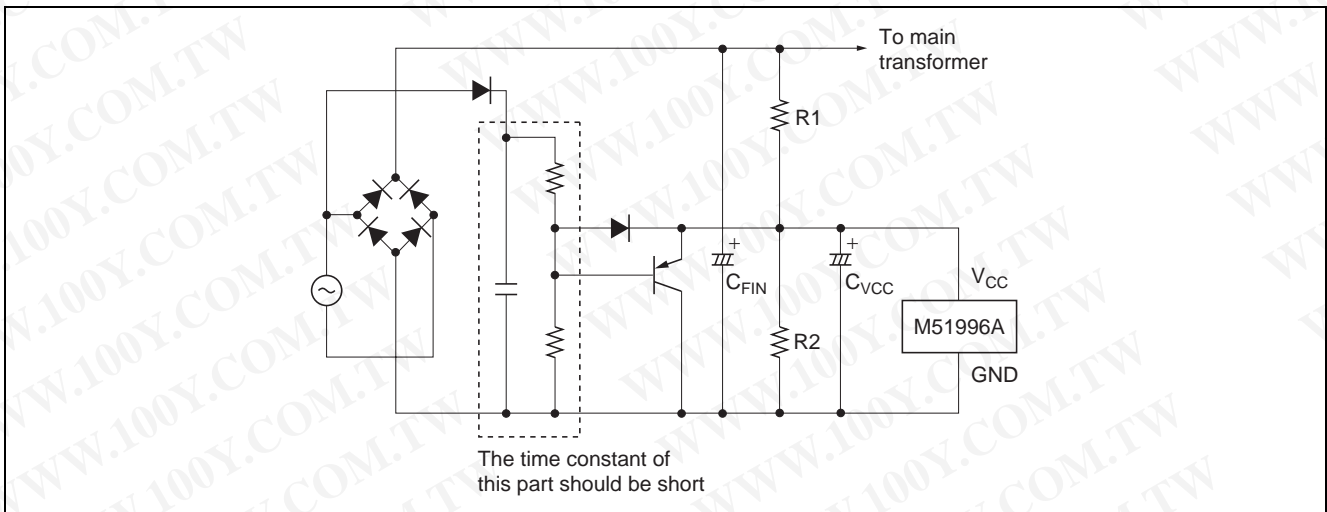
So it should be avoided absolutely to connect the resistance between the OVP terminal and GND.



**Figure 19 Peripheral Circuit of OVP Terminal**

2. Application circuit to make the OVP-reset time fast

The reset time may becomes problem when the discharge time constant of  $C_{FIN} \cdot (R1 + R2)$  is long. Under such the circuit condition, it is recommend to discharge the  $C_{VCC}$  forcedly and to make the  $V_{CC}$  low value; This makes the OVP-reset time fast.



**Figure 20 Example Circuit Diagram to Make The OVP-reset-time Fast**

勝特力材料 886-3-5753170  
 勝特力电子(上海) 86-21-34970699  
 勝特力电子(深圳) 86-755-83298787  
[Http://www.100y.com.tw](http://www.100y.com.tw)

3. OVP setting method using the induced third winding voltage on fly back system

For the over voltage protection (OVP), the induced fly back type third winding voltage can be utilized, as the induced third winding voltage depends on the output voltage. Figure 21 shows one of the example circuit diagram.

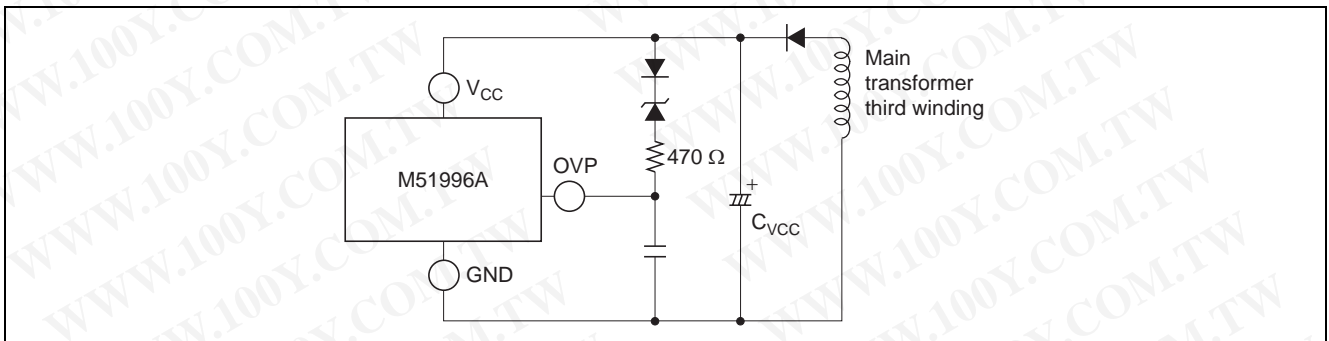


Figure 21 OVP Setting Method Using The Induced Third Winding Voltage on Fly Back System

4. Method to control for ON/OFF using the OVP terminal

You can reset OVP to lower the OVP terminal voltage lower than  $V_{THOVPL}$ .

So you can control for ON/OFF using this nature.

The application is shown in figure 22.

The circuit turns off by SW OFF and turns on by SW ON in this application.

Of course you can make use of the transistor or photo-transistor instead of SW.

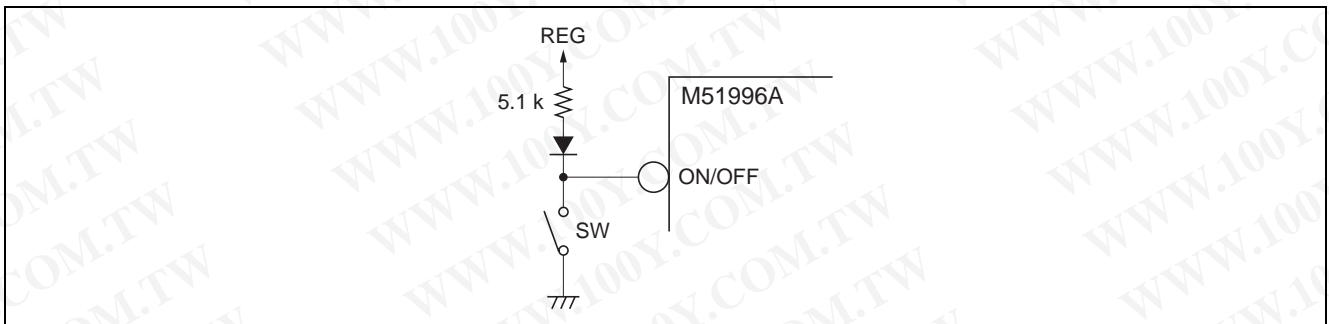


Figure 22 Method to Control for ON/OFF Using The OVP Terminal

勝特力材料 886-3-5753170  
 勝特力电子(上海) 86-21-34970699  
 勝特力电子(深圳) 86-755-83298787  
[Http://www.100y.com.tw](http://www.100y.com.tw)

## Current Limiting Circuit

### 1. Peripheral circuit of CLM+ terminal

Figure 23 shows the example circuit diagrams around the CLM+ terminal. It is required to connect the low pass filter, in order to reduce the spike current component, as the main current or drain current contains the spike current especially during the turn-on duration of MOS FET.

1,000 pF to 22,000 pF is recommended for  $C_{NF}$  and the  $R_{NF1}$  and  $R_{NF2}$  have the function both to adjust the “current-detecting-sensitivity” and to consist the low pass filter.

To design the  $R_{NF1}$  and  $R_{NF2}$ , it is required to consider the influence of CLM+ terminal source current ( $I_{INCLM+}$ ), which value is in the range of 90 to 270  $\mu$ A.

In order to be not influenced from these resistor paralleled value of  $R_{NF1}$  and  $R_{NF2}$ , ( $R_{NF1}/R_{NF2}$ ) is recommended to be less than 100  $\Omega$ .

The  $R_{CLM}$  should be the non-inductive resistor.

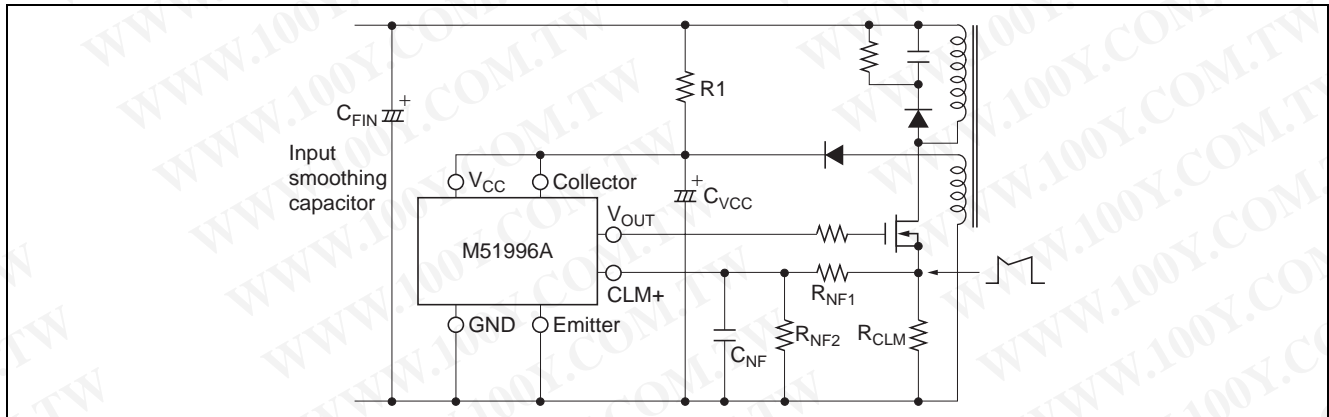


Figure 23 Peripheral Circuit Diagram of CLM+ Terminal

### 2. Over current limiting curve

#### (1) In case of feed forward system

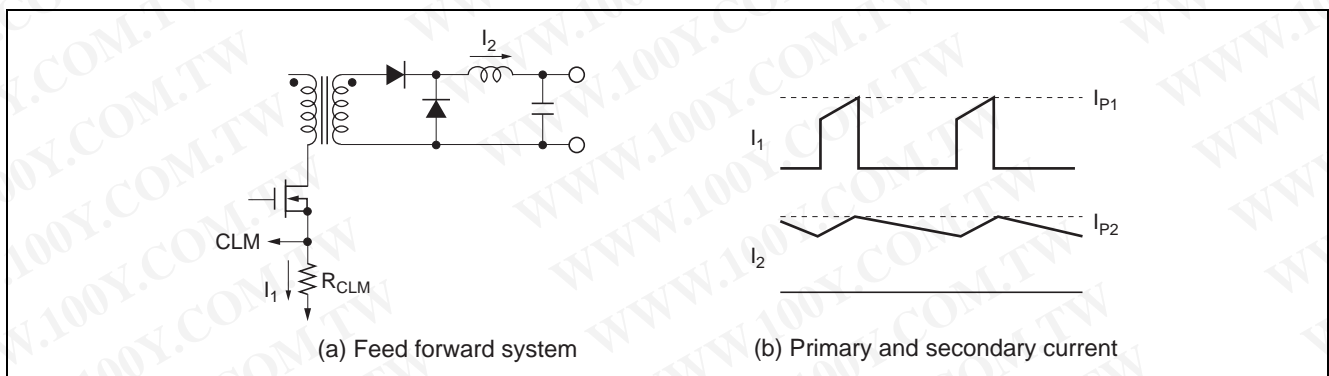


Figure 24 Primary and Secondary Current Waveforms Under The Current Limiting Operation Condition on Feed Forward System

Figure 24 shows the primary and secondary current wave-forms under the current limiting operation.

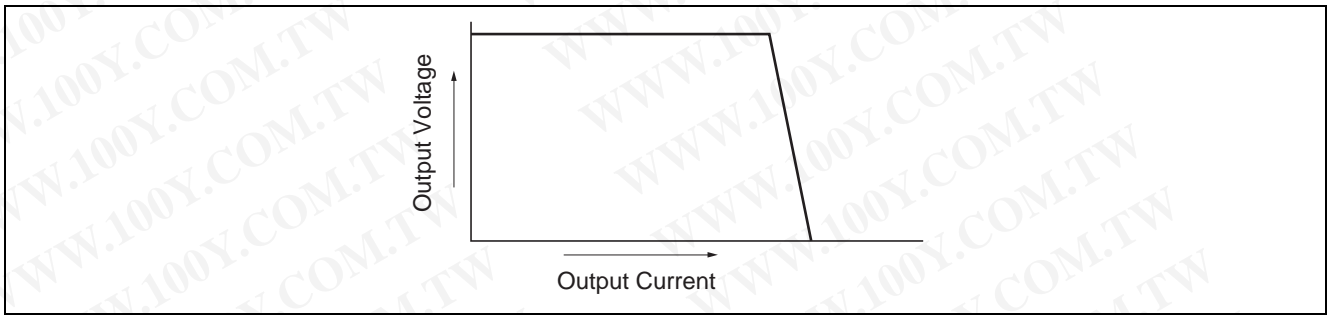
At the typical application of pulse by pulse primary current detecting circuit, the secondary current depends on the primary current. As the peak value of secondary current is limited to specified value, the characteristics curve of output voltage versus output current become to the one as shown in figure 25.

The demerit of the pulse by pulse current limiting system is that the output pulse width can not reduce to less than some value because of the delay time of low pass filter connected to the CLM+ terminal and propagation delay time  $T_{PDCLM}$  from CLM+ terminal to output terminal of type M51996A. The typical  $T_{PDCLM+}$  is 100 ns.

As the frequency becomes higher, the delay time must be shorter. And as the secondary output voltage becomes higher, the dynamic range of on-duty must be wider; it means that it is required to make the on-duration much more narrower.

So this system has the demerit at the higher oscillating frequency and higher output voltage applications.

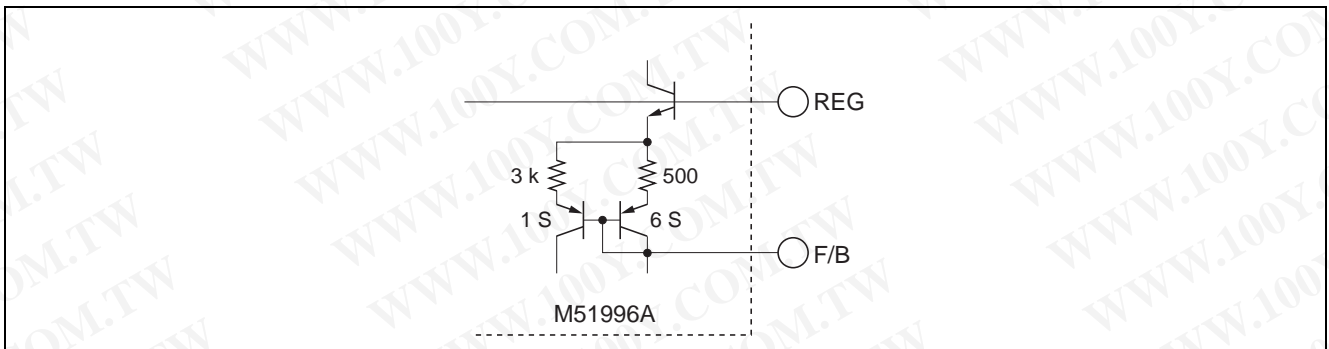
To prevent that the SOFT terminal is used to lower the frequency when the curve starts to become vertical.



**Figure 25 Over Current Limiting Curve on Feed Forward System**

If the curve becomes vertical because of an excess current, the output voltage is lowered and no feedback current flows from feedback photo-coupler; the PWM comparator operates to enlarge the duty sufficiently, but the signal from the CLM+ section operates to make the pulse width narrower.

Under the condition in which  $I_2$  in figure 24 does not become 0, the output voltage is proportional to the product of the input voltage  $V_{IN}$  (primary side voltage of the main transformer) and on duty. If the bias winding is positive,  $V_{CC}$  is approximately proportional to  $V_{IN}$ . The existence of feed back current of the photo-coupler is known by measuring the F/B terminal voltage which becomes less than  $2V_{BE}$  in the internal circuit of REG terminal and F/B terminal if the output current flows from the F/B terminal.



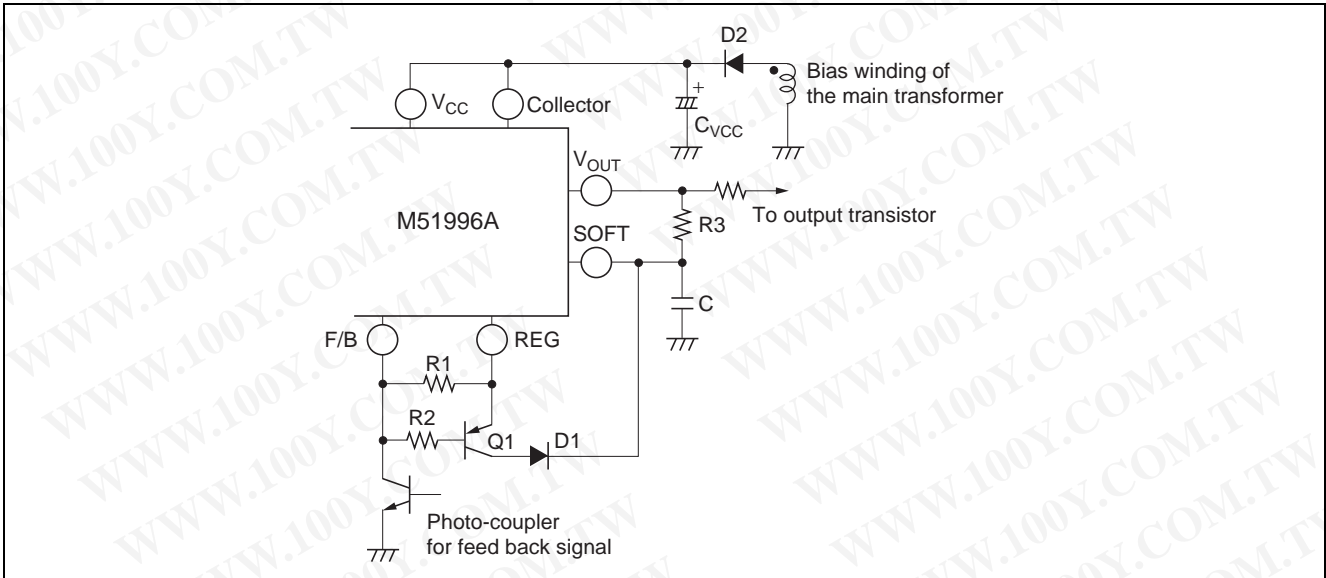
**Figure 26 Relationship Between REG Terminal and F/B Terminal**

Figure 27 shows an application example.

Q1 is turned on when normal output voltage is controlled at a certain value. The SOFT terminal is clamped to a high-level voltage. If the output voltage decreases and the curve starts to drop, no feed back current flows, Q1 is turned off and the SOFT terminal responds to the smoothed output voltage.

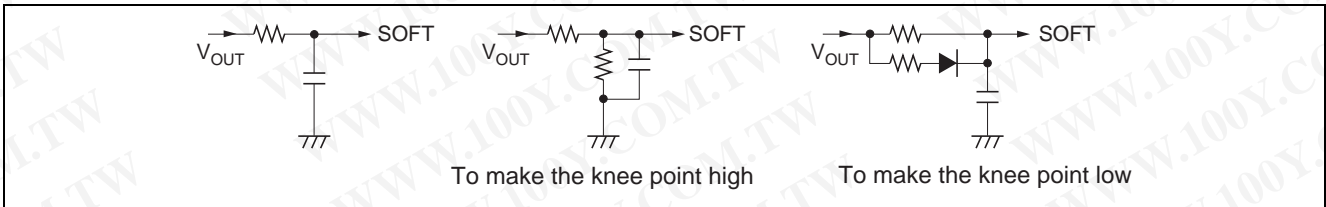
It is recommended to use an R1 and R2 of 10 k $\Omega$  to 30 k $\Omega$ . An R3 of 20 to 100 k $\Omega$  and C of 1000 pF to 8200 pF should be used.

勝特力材料 886-3-5753170  
 勝特力电子(上海) 86-21-34970699  
 勝特力电子(深圳) 86-755-83298787  
[Http://www.100y.com.tw](http://www.100y.com.tw)



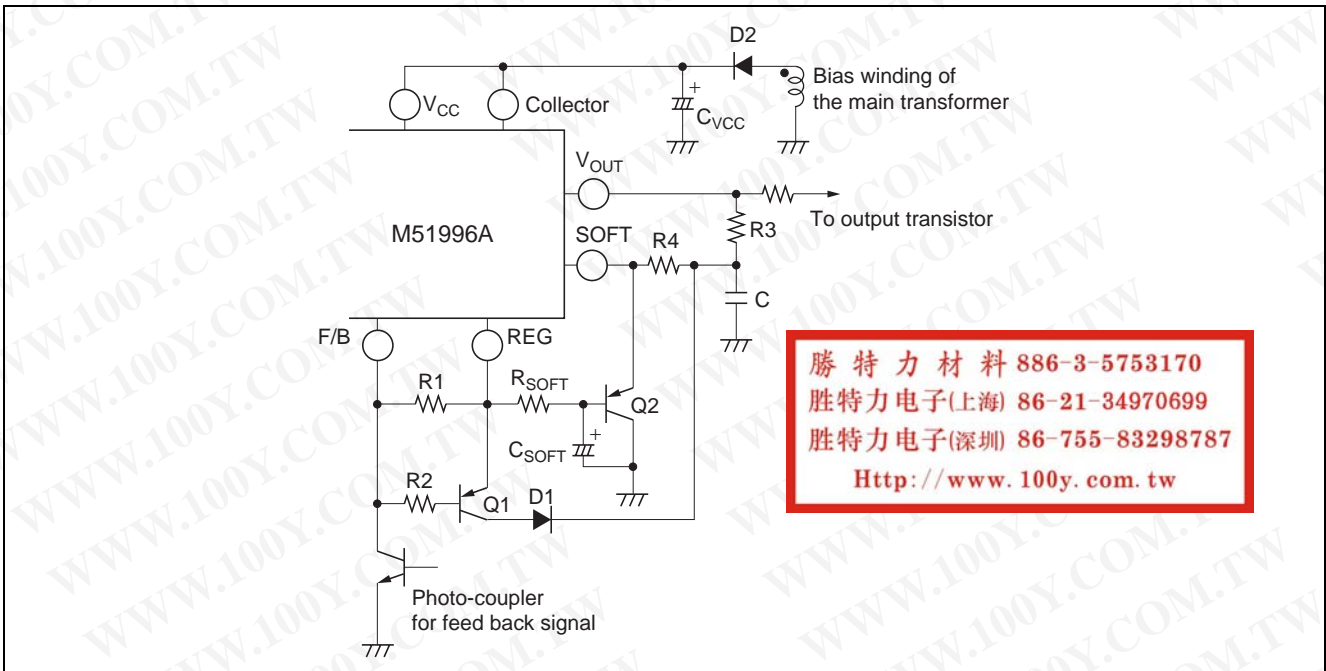
**Figure 27 Current to Lower Frequency During Over Current**

To change the knee point of frequency drop, use the circuit in figure 28.



**Figure 28 Method to Control The Knee Point of Frequency Drop**

To have a normal SOFT start function in the circuit in figure 27, use the circuit in figure 29. It is recommended to use an R4 of 10 kΩ.



勝特力材料 886-3-5753170  
 勝特力电子(上海) 86-21-34970699  
 勝特力电子(深圳) 86-755-83298787  
[Http://www.100y.com.tw](http://www.100y.com.tw)

**Figure 29 Circuit to Use Frequency Drop During The Over Current and Normal Soft Start**

(2) In case of fly back system

The DC output voltage of SMPS depends on the  $V_{CC}$  voltage of type M51996A when the polarity of the third winding is negative and the system is fly back. So the operation of type M51996A will stop when the  $V_{CC}$  becomes lower than "Operation-stop voltage" of M51996A when the DC output voltage of SMPS decreases under specified value at over load condition.

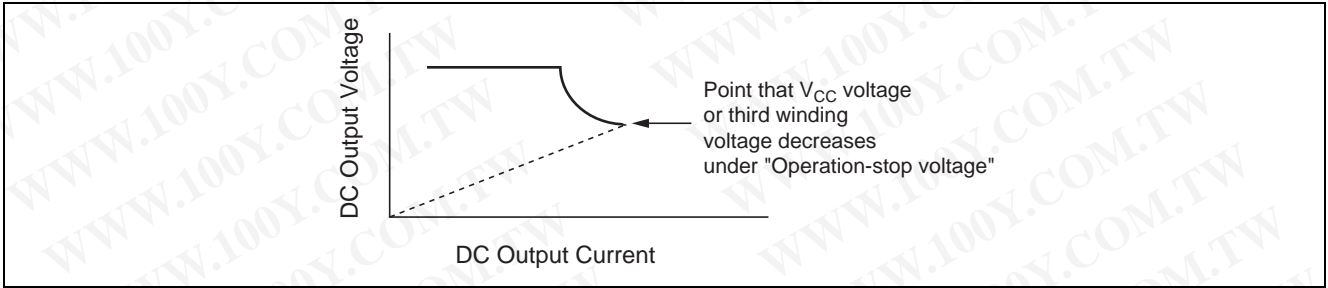


Figure 30 Over Current Limiting Curve on Fly Back System

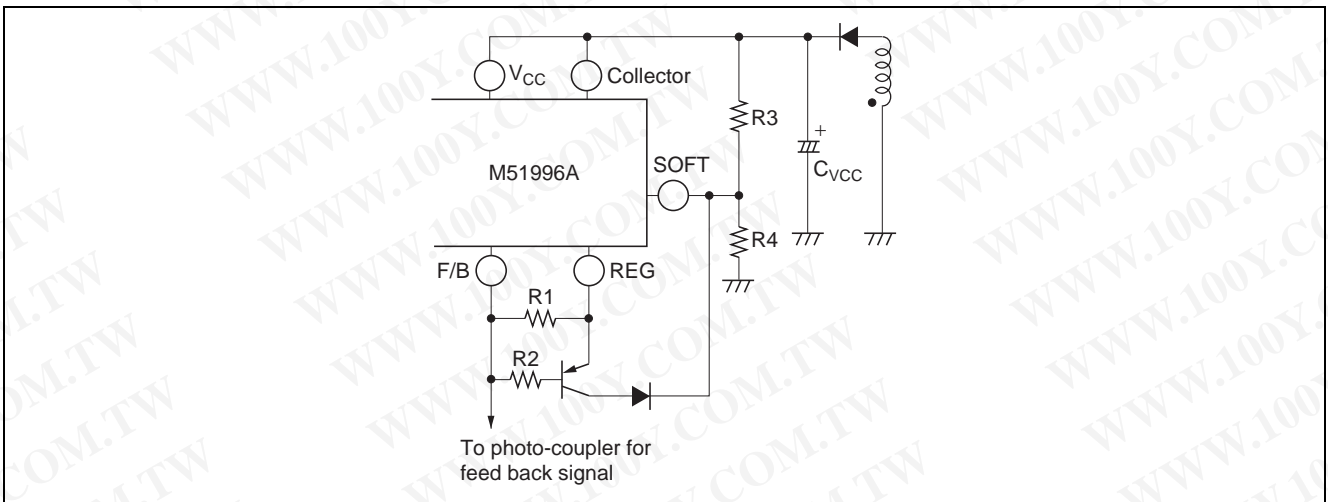


Figure 31 Current to Lower The Frequency During The Over Current in The Fly Back System

However, the M51996A will non-operate and operate intermittently, as the  $V_{CC}$  voltage rises in accordance with the decrease of  $I_{CC}$  current.

The fly back system has the constant output power characteristics as shown in figure 30 when the peak primary current and the operating frequency are constant.

To avoid an increases of the output current, the frequency is lowered when the DC output voltage of SMPS starts to drop using the SOFT terminal.  $V_{CC}$  is divided and is input to the SOFT terminal as shown in figure 31, because the voltage in proportional to the output voltage is obtained from the bias winding. In this application example, the current flowing to R3 added to the start-up current. So please use high resistance or 100 k $\Omega$  to 200 k $\Omega$  for R3.

The start-up current is not affected by R3 if R3 is connected to  $C_{VCC2}$  in the circuit shown in figure 18.

勝特力材料 886-3-5753170  
 勝特力电子(上海) 86-21-34970699  
 勝特力电子(深圳) 86-755-83298787  
[Http://www.100y.com.tw](http://www.100y.com.tw)

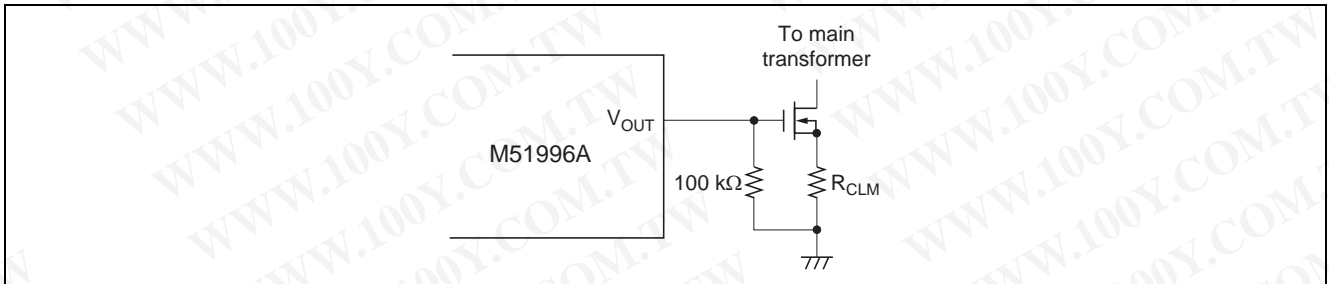
**Output Circuit**

- The output terminal characteristics at the  $V_{CC}$  voltage lower than the “Operation-stop” voltage  
The output terminal has the current sink ability even though the  $V_{CC}$  voltage lower than the “Operation-stop” voltage or  $V_{CC(STOP)}$  (It means that the terminal is “Output low state” and please refer characteristics of output low voltage versus sink current.)

This characteristics has the merit not to damage the MOS FET at the stop of operation when the  $V_{CC}$  voltage decreases lower than the voltage of  $V_{CC(STOP)}$ , as the gate charge of MOS FET, which shows the capacitive load characteristics to the output terminal, is drawn out rapidly.

The output terminal has the draw-out ability above the  $V_{CC}$  voltage of 2 V, however, lower than the 2V, it loses the ability and the output terminal potential may rise due to the leakage current.

In this case, it is recommended to connect the resistor of 100 kΩ between gate and source of MOS FET as shown in figure 32.



**Figure 32 Circuit Diagram to Prevent The MOS-FET Gate potential Rising**

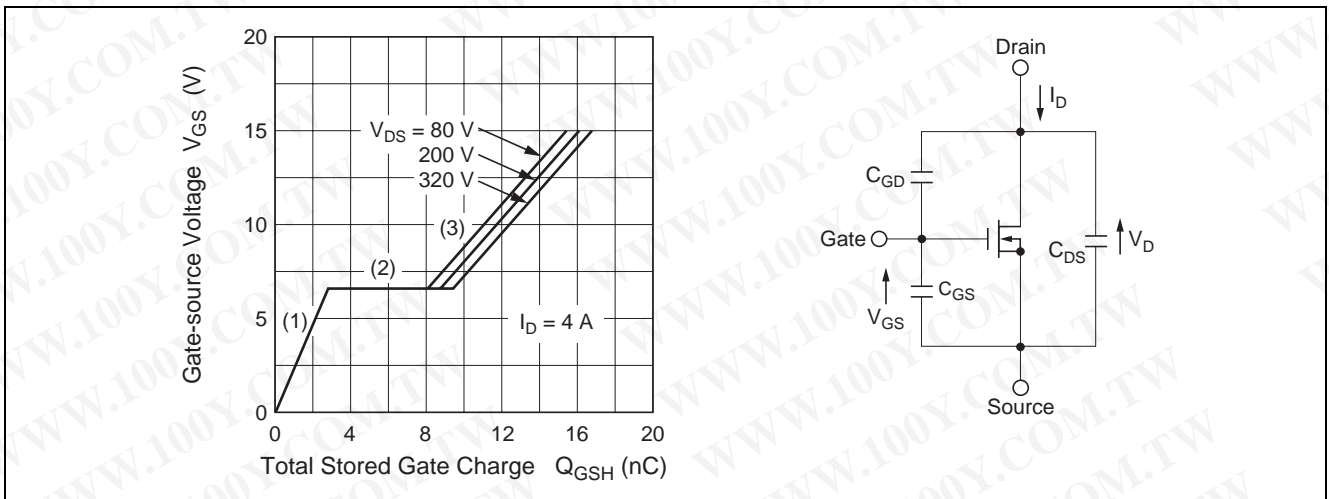
- MOS FET gate drive power dissipation

Figure 33 shows the relation between the applied gate voltage and the stored gate charge.

In the region 1, the charge is mainly stored at  $C_{GS}$  as the depletion is spread and  $C_{GD}$  is small owing to the off-state of MOS FET and the high drain voltage.

In the region 2, the  $C_{GD}$  is multiplied by the “mirror effect” as the characteristics of MOS FET transfers from off-state to on-state.

In the region 3, both the  $C_{GD}$  and  $C_{GS}$  affect to the characteristics as the MOS FET is on-state and the drain voltage is low.



**Figure 33 The Relation Between Applied Gate-source Voltage and Stored Gate Charge**

The charging and discharging current caused by this gate charge makes the gate power dissipation. The relation between gate drive current  $I_D$  and total gate charge  $Q_{GSH}$  is shown by following equation;

$$I_D = Q_{GSH} \cdot f_{OSC} \dots\dots\dots (9)$$

Where

$f_{OSC}$  is switching frequency

**勝特力材料 886-3-5753170**  
**勝特力电子(上海) 86-21-34970699**  
**勝特力电子(深圳) 86-755-83298787**  
[Http://www.100y.com.tw](http://www.100y.com.tw)

As the gate drive current may reach up to several tenths milliamperes at 500 kHz operation, depending on the size of MOS FET, the power dissipation caused by the gate current can not be neglected. In this case, following action will be considered to avoid heat up of type M51996A.

- (1) To attach the heat sink to type M51996A
- (2) To use the printed circuit board with the good thermal conductivity
- (3) To use the buffer circuit shown next section

3. Output buffer circuit

It is recommended to use the output buffer circuit as shown in figure 34, when type M51996A drives the large capacitive load or bipolar transistor.

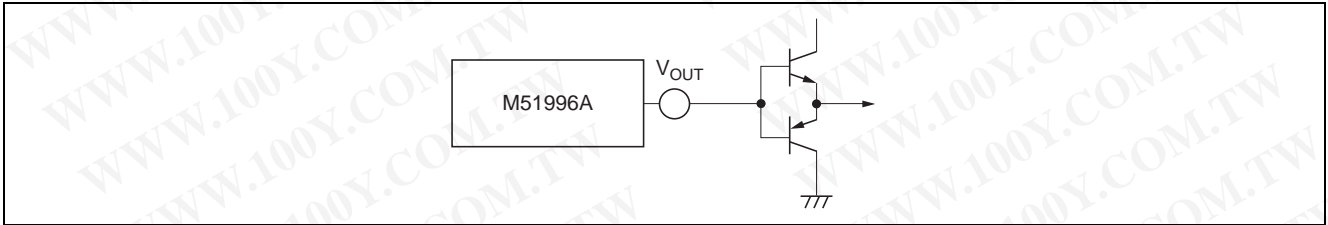


Figure 34 Output Buffer Circuit Diagram

DET Circuit

Figure 35 shows how to use the DET circuit for the voltage detector and error amplifier.

For the phase shift compensation, it is recommended to connect the CR network between DET terminal and F/B terminal.

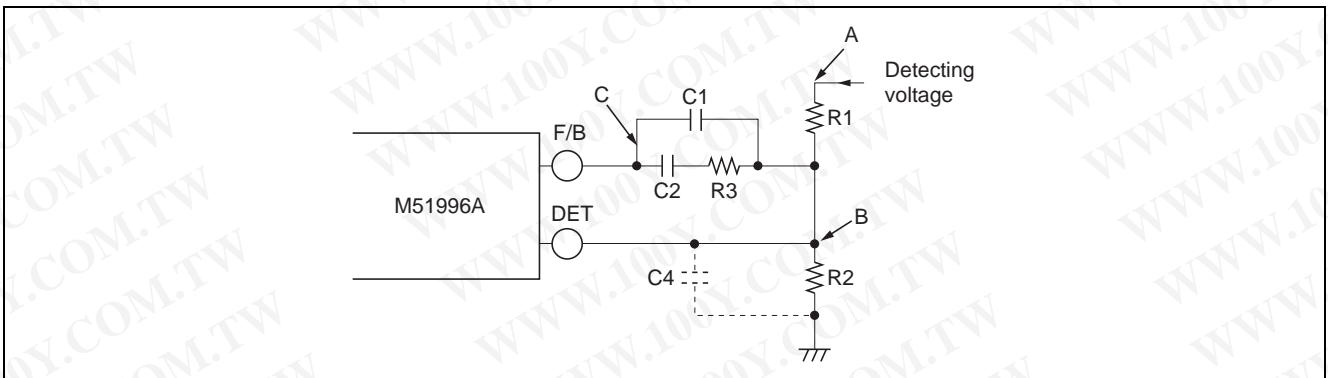


Figure 35 How to Use The DET Circuit for The Voltage Detector

Figure 36 shows the gain-frequency characteristics between point B and point C shown in figure 35.

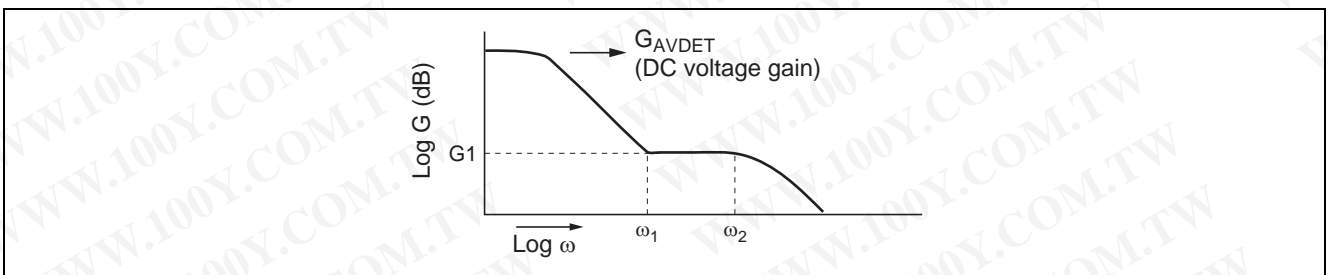


Figure 36 Gain-frequency Characteristics Between Point B and C Shown in Figure 35

The G1, ω1 and ω2 are given by following equations;

$$G1 = \frac{R3}{R1 / R2} \dots\dots\dots (10)$$

$$\omega1 = \frac{1}{C2 \cdot R3} \dots\dots\dots (11)$$

$$\omega2 = \frac{C1 + C2}{C1 \cdot C2 \cdot R3} \dots\dots\dots (12)$$

勝特力材料 886-3-5753170  
 勝特力电子(上海) 86-21-34970699  
 勝特力电子(深圳) 86-755-83298787  
[Http://www.100y.com.tw](http://www.100y.com.tw)



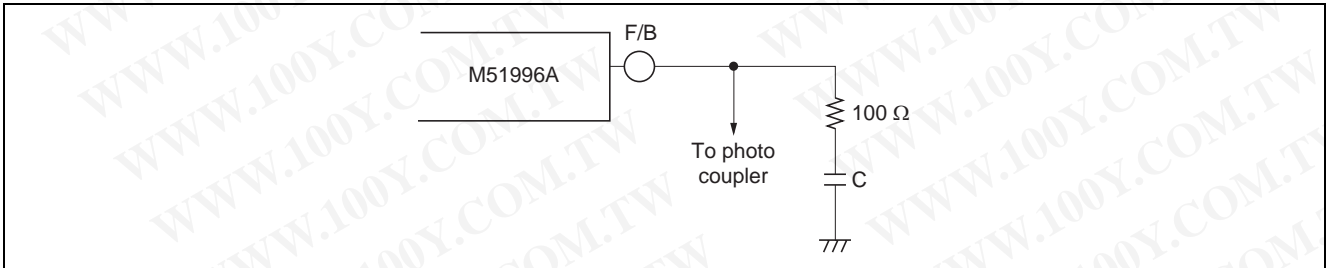
At the start of the operation, there happen to be no output pulse due to F/B terminal current through C1 and C2, as the potential of F/B terminal rises sharply just after the start of the operation.

Not to lack the output pulse, is recommended to connect the capacitor C4 as shown by broken line.

Please take notice that the current flows through the R1 and R2 are superposed to  $I_{CC(START)}$ . Not to superpose, R1 is connected to  $C_{VCC2}$  as shown in figure 18.

**How to Get The Narrow Pulse Width During The Start of Operation**

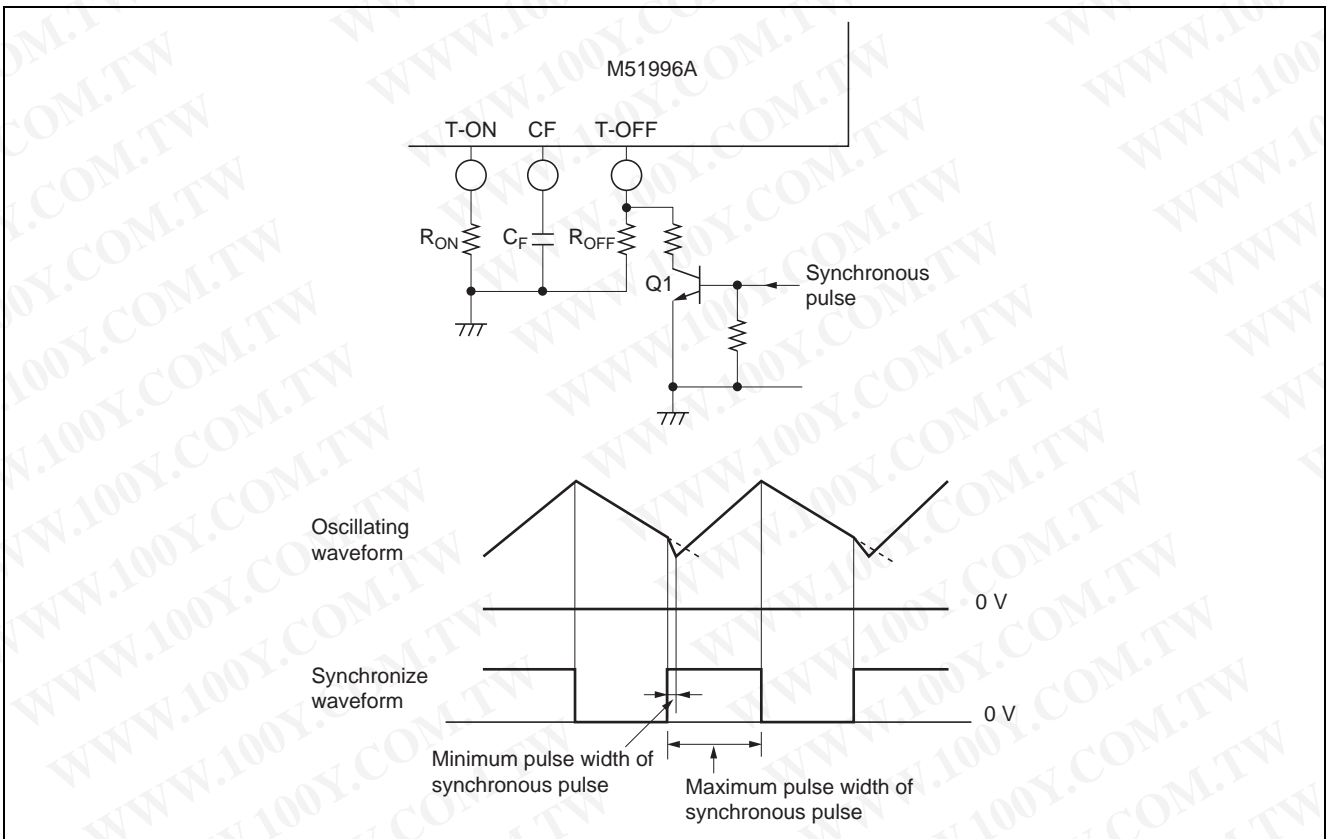
Figure 37 shows how to get the narrow pulse width during the start of the operation. If the pulse train of forcedly narrowed pulse-width continues too long, the misstart of operation may happen, so it is recommended to make the output pulse width narrow only for a few pulse at the start of operation. 0.1  $\mu F$  is recommended for the C.



**Figure 37 How to Get The Narrow Pulse Width During The Start of Operation**

**How to Synchronize with External Circuit**

Type M51996A has no function to synchronize with external circuit, however, there is some application circuit for synchronization as shown in figure 38.



**Figure 38 How to Synchronize With External Circuit**

勝特力材料 886-3-5753170  
 勝特力电子(上海) 86-21-34970699  
 勝特力电子(深圳) 86-755-83298787  
[Http://www.100y.com.tw](http://www.100y.com.tw)

## Driver Circuit for Bipolar Transistor

When the bipolar transistor is used instead of MOS FET, the base current of bipolar transistor must be sunk by the negative base voltage source for the switching-off duration, in order to make the switching speed of bipolar transistor fast one.

In this case, over current can not be detected by detecting resistor in series to bipolar transistor, so it is recommended to use the CT (current transformer).

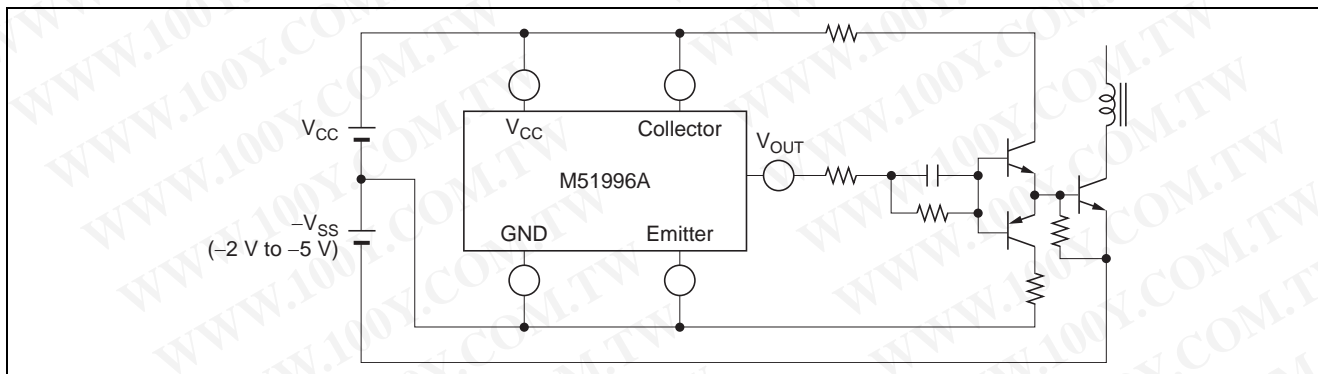


Figure 39 Driver Circuit Diagram (1) for Bipolar Transistor

For the low current rating transistor, type M51996A can drive it directly as shown in figure 40.

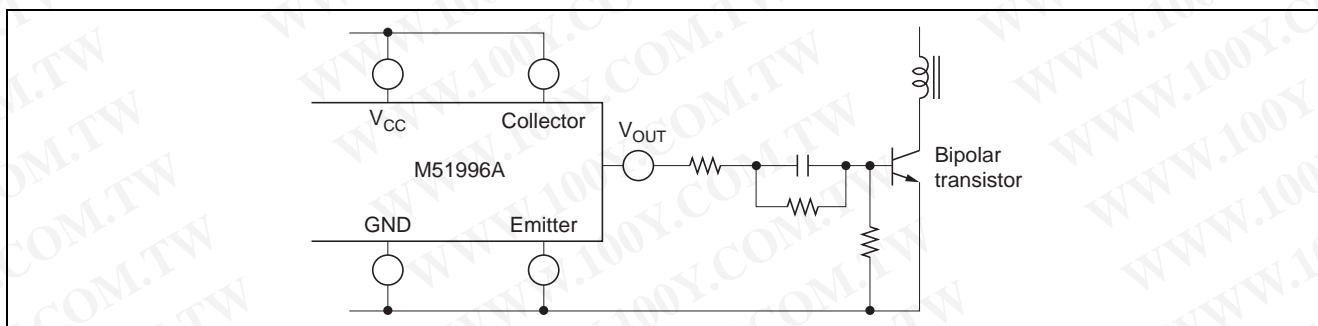


Figure 40 Driver Circuit Diagram (2) for Bipolar Transistor

### Attention for Heat Generation

The maximum ambient temperature of type M51996A is +85°C, however the ambient temperature in vicinity of the IC is not uniform and varies place by place, as the amount of power dissipation is fearfully large and the power dissipation is generated locally in the switching regulator.

So it is one of the good idea to check the IC package temperature.

The temperature difference between IC junction and the surface of IC package is 15°C or less, when the IC junction temperature is measured by temperature dependency of forward voltage of pin junction, and IC package temperature is measured by "thermo-viewer", and also the IC is mounted on the "phenol-base" PC board in normal atmosphere.

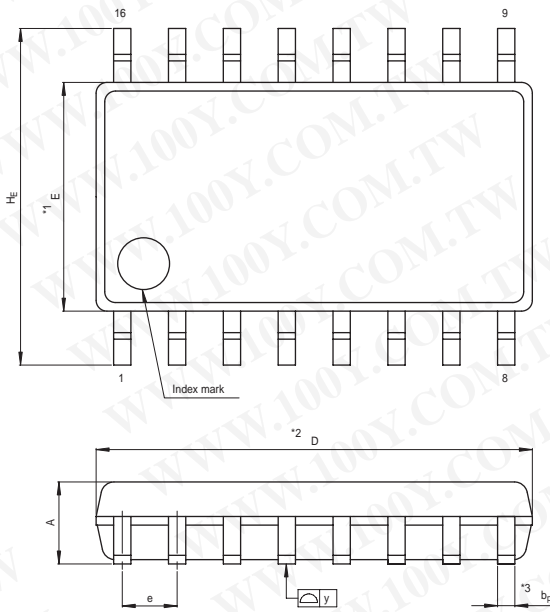
So it is concluded that the maximum case temperature (surface temperature of IC) rating is 120°C with adequate margin.

勝特力材料 886-3-5753170  
 勝特力电子(上海) 86-21-34970699  
 勝特力电子(深圳) 86-755-83298787  
[Http://www.100y.com.tw](http://www.100y.com.tw)

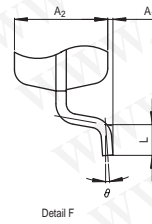
Package Dimensions

勝特力材料 886-3-5753170  
 勝特力电子(上海) 86-21-34970699  
 勝特力电子(深圳) 86-755-83298787  
[Http://www.100y.com.tw](http://www.100y.com.tw)

JEITA Package Code	RENESAS Code	Previous Code	MASS[Typ.]
P-SOP16-5.3x10.1-1.27	PRSP0016DE-A	16P2N-A	0.2g

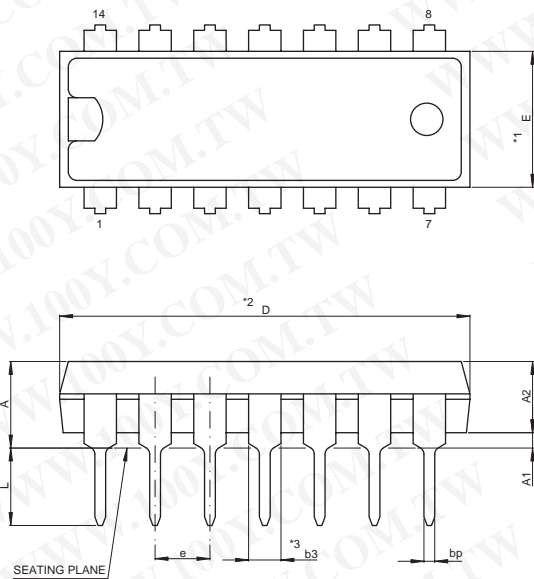


NOTE)  
 1. DIMENSIONS \*\*1\* AND \*\*2\* DO NOT INCLUDE MOLD FLASH.  
 2. DIMENSION \*\*3\* DOES NOT INCLUDE TRIM OFFSET.



Reference Symbol	Dimension in Millimeters		
	Min	Nom	Max
D	10.0	10.1	10.2
E	5.2	5.3	5.4
A <sub>2</sub>	—	1.8	—
A <sub>1</sub>	0	0.1	0.2
A	—	—	2.1
b <sub>p</sub>	0.35	0.4	0.5
c	0.18	0.2	0.25
θ	0°	—	8°
H <sub>E</sub>	7.5	7.8	8.1
e	1.12	1.27	1.42
y	—	—	0.1
L	0.4	0.6	0.8

JEITA Package Code	RENESAS Code	Previous Code	MASS[Typ.]
P-DIP14-6.3x19-2.54	PRDP0014AA-A	14P4	1.0g



NOTE)  
 1. DIMENSIONS \*\*1\* AND \*\*2\* DO NOT INCLUDE MOLD FLASH.  
 2. DIMENSION \*\*3\* DOES NOT INCLUDE TRIM OFFSET.

Reference Symbol	Dimension in Millimeters		
	Min	Nom	Max
e <sub>1</sub>	7.32	7.62	7.92
D	18.8	19.0	19.2
E	6.15	6.3	6.45
A	—	—	4.5
A <sub>1</sub>	0.51	—	—
A <sub>2</sub>	—	3.3	—
b <sub>p</sub>	0.4	0.5	0.6
b <sub>3</sub>	1.4	1.5	1.8
c	0.22	0.27	0.34
θ	0°	—	15°
e	2.29	2.54	2.79
L	3.0	—	—

勝特力材料 886-3-5753170  
勝特力电子(上海) 86-21-34970699  
勝特力电子(深圳) 86-755-83298787  
Http://www.100y.com.tw

**Renesas Technology Corp.** Sales Strategic Planning Div. Nippon Bldg., 2-6-2, Ohte-machi, Chiyoda-ku, Tokyo 100-0004, Japan

**Notes:**

1. This document is provided for reference purposes only so that Renesas customers may select the appropriate Renesas products for their use. Renesas neither makes warranties or representations with respect to the accuracy or completeness of the information contained in this document nor grants any license to any intellectual property rights or any other rights of Renesas or any third party with respect to the information in this document.
2. Renesas shall have no liability for damages or infringement of any intellectual property or other rights arising out of the use of any information in this document, including, but not limited to, product data, diagrams, charts, programs, algorithms, and application circuit examples.
3. You should not use the products or the technology described in this document for the purpose of military applications such as the development of weapons of mass destruction or for the purpose of any other military use. When exporting the products or technology described herein, you should follow the applicable export control laws and regulations, and procedures required by such laws and regulations.
4. All information included in this document such as product data, diagrams, charts, programs, algorithms, and application circuit examples, is current as of the date this document is issued. Such information, however, is subject to change without any prior notice. Before purchasing or using any Renesas products listed in this document, please confirm the latest product information with a Renesas sales office. Also, please pay regular and careful attention to additional and different information to be disclosed by Renesas such as that disclosed through our website. (<http://www.renesas.com>)
5. Renesas has used reasonable care in compiling the information included in this document, but Renesas assumes no liability whatsoever for any damages incurred as a result of errors or omissions in the information included in this document.
6. When using or otherwise relying on the information in this document, you should evaluate the information in light of the total system before deciding about the applicability of such information to the intended application. Renesas makes no representations, warranties or guaranties regarding the suitability of its products for any particular application and specifically disclaims any liability arising out of the application and use of the information in this document or Renesas products.
7. With the exception of products specified by Renesas as suitable for automobile applications, Renesas products are not designed, manufactured or tested for applications or otherwise in systems the failure or malfunction of which may cause a direct threat to human life or create a risk of human injury or which require especially high quality and reliability such as safety systems, or equipment or systems for transportation and traffic, healthcare, combustion control, aerospace and aeronautics, nuclear power, or undersea communication transmission. If you are considering the use of our products for such purposes, please contact a Renesas sales office beforehand. Renesas shall have no liability for damages arising out of the uses set forth above.
8. Notwithstanding the preceding paragraph, you should not use Renesas products for the purposes listed below:
  - (1) artificial life support devices or systems
  - (2) surgical implantations
  - (3) healthcare intervention (e.g., excision, administration of medication, etc.)
  - (4) any other purposes that pose a direct threat to human lifeRenesas shall have no liability for damages arising out of the uses set forth in the above and purchasers who elect to use Renesas products in any of the foregoing applications shall indemnify and hold harmless Renesas Technology Corp., its affiliated companies and their officers, directors, and employees against any and all damages arising out of such applications.
9. You should use the products described herein within the range specified by Renesas, especially with respect to the maximum rating, operating supply voltage range, movement power voltage range, heat radiation characteristics, installation and other product characteristics. Renesas shall have no liability for malfunctions or damages arising out of the use of Renesas products beyond such specified ranges.
10. Although Renesas endeavors to improve the quality and reliability of its products, IC products have specific characteristics such as the occurrence of failure at a certain rate and malfunctions under certain use conditions. Please be sure to implement safety measures to guard against the possibility of physical injury, and injury or damage caused by fire in the event of the failure of a Renesas product, such as safety design for hardware and software including but not limited to redundancy, fire control and malfunction prevention, appropriate treatment for aging degradation or any other applicable measures. Among others, since the evaluation of microcomputer software alone is very difficult, please evaluate the safety of the final products or system manufactured by you.
11. In case Renesas products listed in this document are detached from the products to which the Renesas products are attached or affixed, the risk of accident such as swallowing by infants and small children is very high. You should implement safety measures so that Renesas products may not be easily detached from your products. Renesas shall have no liability for damages arising out of such detachment.
12. This document may not be reproduced or duplicated, in any form, in whole or in part, without prior written approval from Renesas.
13. Please contact a Renesas sales office if you have any questions regarding the information contained in this document, Renesas semiconductor products, or if you have any other inquiries.



**RENESAS SALES OFFICES**

<http://www.renesas.com>

Refer to "<http://www.renesas.com/en/network>" for the latest and detailed information.

**Renesas Technology America, Inc.**  
450 Holger Way, San Jose, CA 95134-1368, U.S.A  
Tel: <1> (408) 382-7500, Fax: <1> (408) 382-7501

**Renesas Technology Europe Limited**  
Dukes Meadow, Millboard Road, Bourne End, Buckinghamshire, SL8 5FH, U.K.  
Tel: <44> (1628) 585-100, Fax: <44> (1628) 585-900

**Renesas Technology (Shanghai) Co., Ltd.**  
Unit 204, 205, AZIA Center, No.1233 Lujiazui Ring Rd, Pudong District, Shanghai, China 200120  
Tel: <86> (21) 5877-1818, Fax: <86> (21) 6887-7898

**Renesas Technology Hong Kong Ltd.**  
7th Floor, North Tower, World Finance Centre, Harbour City, 1 Canton Road, Tsimshatsui, Kowloon, Hong Kong  
Tel: <852> 2265-6688, Fax: <852> 2730-6071

**Renesas Technology Taiwan Co., Ltd.**  
10th Floor, No.99, Fushing North Road, Taipei, Taiwan  
Tel: <886> (2) 2715-2888, Fax: <886> (2) 2713-2999

**Renesas Technology Singapore Pte. Ltd.**  
1 Harbour Front Avenue, #06-10, Keppel Bay Tower, Singapore 098632  
Tel: <65> 6213-0200, Fax: <65> 6278-8001

**Renesas Technology Korea Co., Ltd.**  
Kukje Center Bldg. 18th Fl., 191, 2-ka, Hangang-ro, Yongsan-ku, Seoul 140-702, Korea  
Tel: <82> (2) 796-3115, Fax: <82> (2) 796-2145

**Renesas Technology Malaysia Sdn. Bhd**  
Unit 906, Block B, Menara Amcorp, Amcorp Trade Centre, No.18, Jalan Persiaran Barat, 46050 Petaling Jaya, Selangor Darul Ehsan, Malaysia  
Tel: <603> 7955-9390, Fax: <603> 7955-9510