



L4931 SERIES

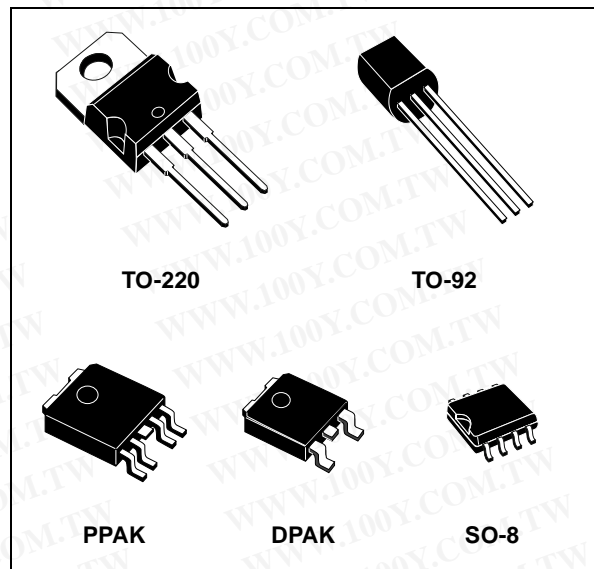
VERY LOW DROP VOLTAGE REGULATORS WITH INHIBIT

- VERY LOW DROPOUT VOLTAGE (0.4V)
- VERY LOW QUIESCENT CURRENT (TYP. 50 μ A IN OFF MODE, 600 μ A IN ON MODE)
- OUTPUT CURRENT UP TO 250 mA
- LOGIC-CONTROLLED ELECTRONIC SHUTDOWN
- OUTPUT VOLTAGES OF 1.25; 1.5; 2.5; 2.7; 3; 3.3; 3.5; 4; 4.5; 4.7; 5; 5.2; 5.5; 6; 8; 12V
- INTERNAL CURRENT AND THERMAL LIMIT
- ONLY 2.2 μ F FOR STABILITY
- AVAILABLE IN \pm 1% (AB) OR 2% (C) SELECTION AT 25°C
- SUPPLY VOLTAGE REJECTION: 70db TYP. FOR 5V VERSION
- TEMPERATURE RANGE: -40 TO 125°C

DESCRIPTION

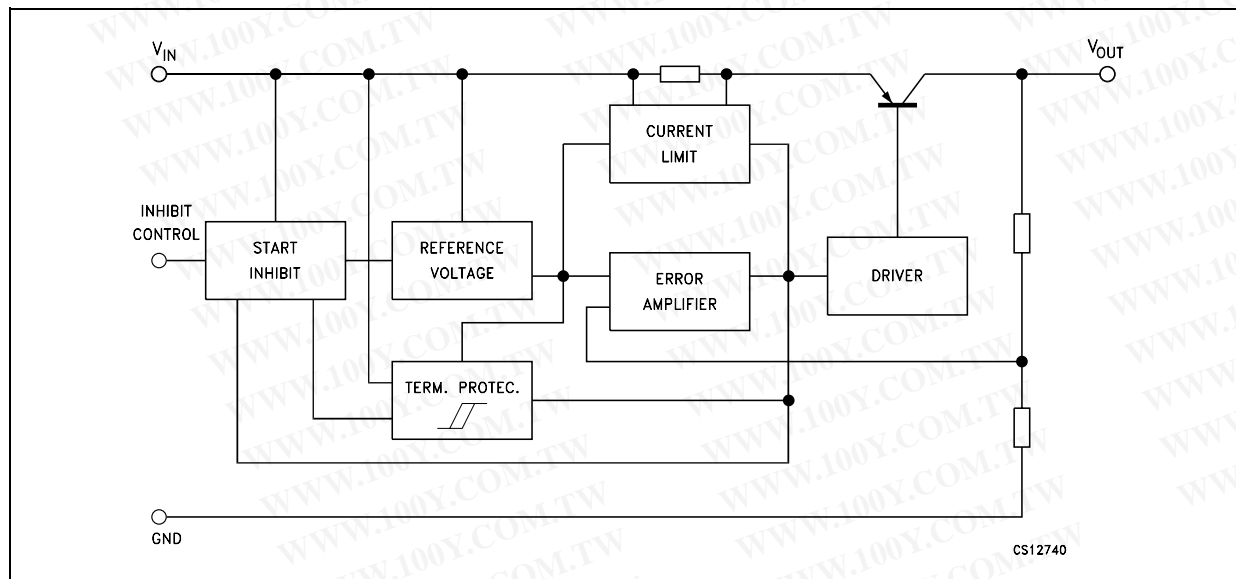
The L4931 series are very Low Drop regulators available in TO-220, SO-8, DPAK, PPAK and TO-92 packages and in a wide range of output voltages.

The very Low Drop voltage (0.4V) and the very low quiescent current make them particularly suitable for Low Noise, Low Power applications and specially in battery powered systems.



In PPAK and SO-8 packages a Shutdown Logic Control function is available TTL compatible. This means that when the device is used as a local regulator, it is possible to put a part of the board in standby, decreasing the total power consumption. It requires only a 2.2 μ F capacitor for stability allowing space and cost saving.

SCHEMATIC DIAGRAM



L4931 SERIES

ABSOLUTE MAXIMUM RATINGS

| Symbol | Parameter | Value | Unit |
|-----------|--------------------------------------|--------------------|------|
| V_I | DC Input Voltage | 20 | V |
| I_O | Output Current | Internally Limited | |
| P_{tot} | Power Dissipation | Internally Limited | |
| T_{stg} | Storage Temperature Range | -40 to 150 | °C |
| T_{op} | Operating Junction Temperature Range | -40 to 125 | °C |

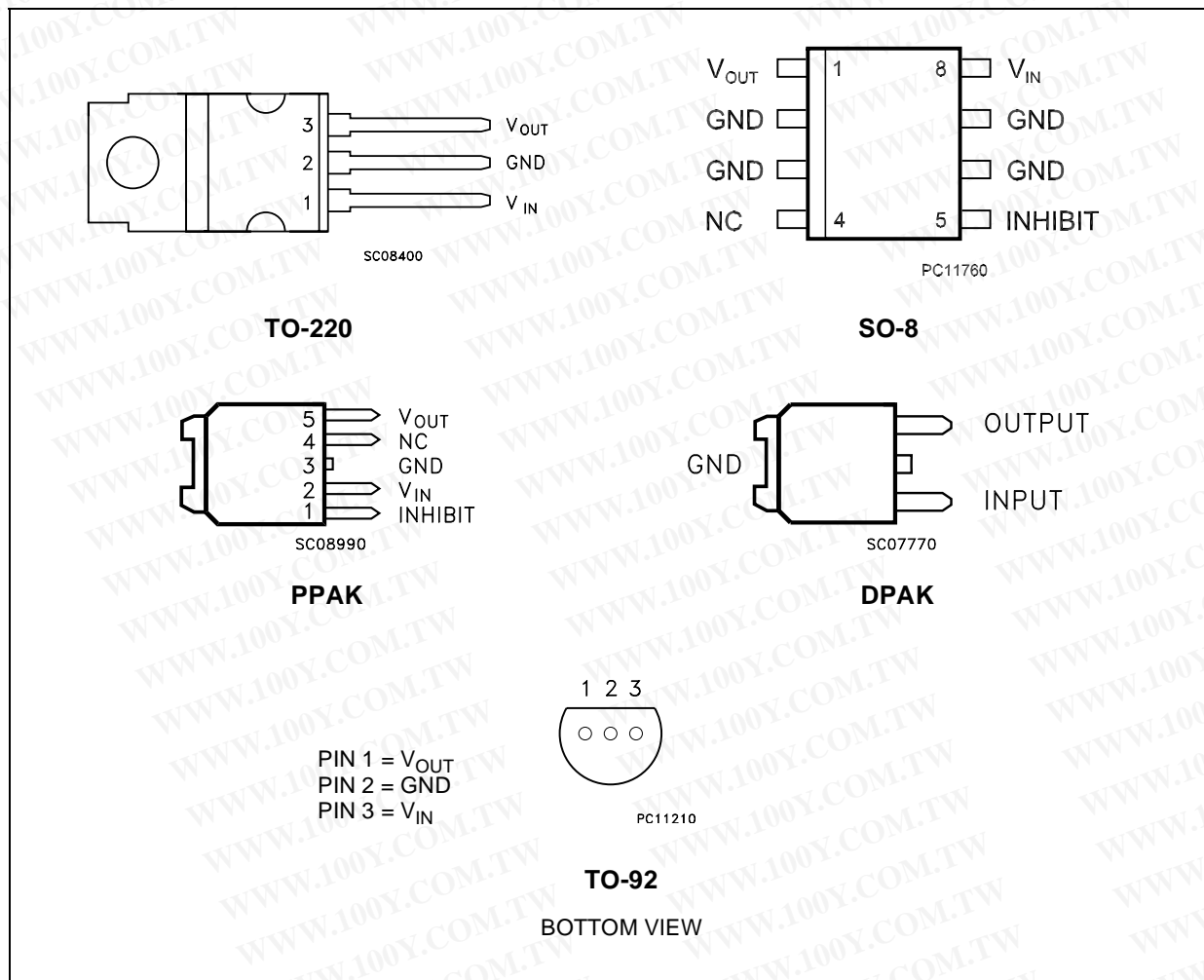
Absolute Maximum Ratings are those values beyond which damage to the device may occur. Functional operation under these condition is not implied.

THERMAL DATA

| Symbol | Parameter | TO-220 | SO-8 | PAK | PPAK | TO-92 | Unit |
|----------------|-------------------------------------|--------|-------|-----|------|-------|------|
| $R_{thj-case}$ | Thermal Resistance Junction-case | 3 | 20 | 8 | 8 | | °C/W |
| $R_{thj-amb}$ | Thermal Resistance Junction-ambient | 50 | 55(*) | 100 | 100 | 200 | °C/W |

(*) Considering 6 cm² of copper board heat-sink

CONNECTION DIAGRAM (top view)



ORDERING CODES

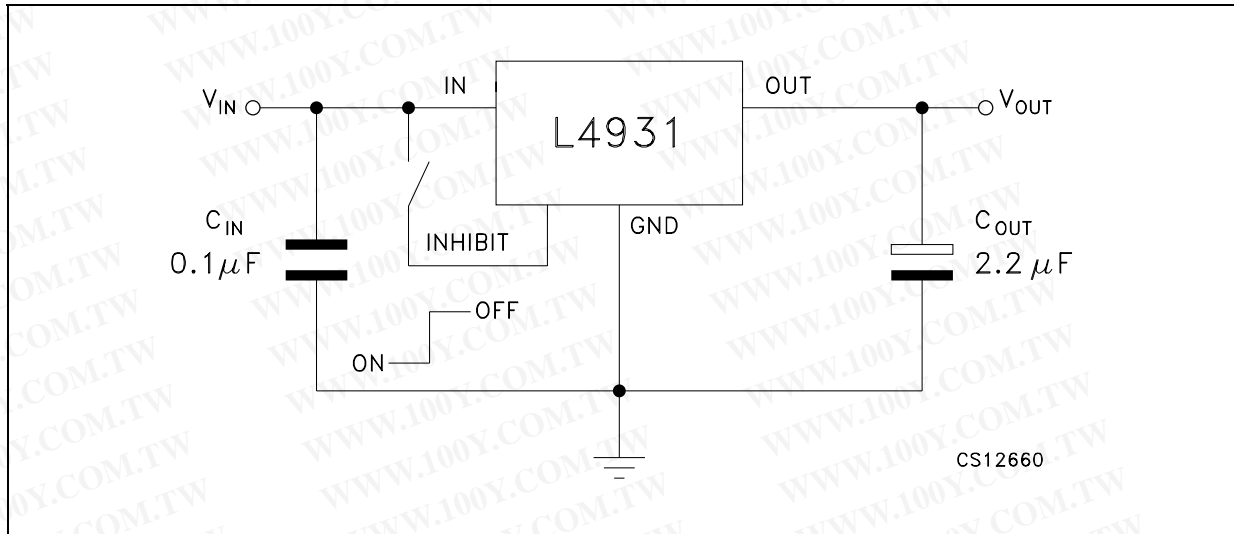
| TO-220 | SO-8 | PPAK | DPAK | TO-92 | OUTPUT VOLTAGE |
|----------------|----------------|-----------------|-----------------|----------------|----------------|
| L4931CV12 (*) | L4931CD12 (*) | L4931CPT12 (*) | L4931CDT12 (*) | L4931CZ12 (*) | 1.25 V |
| L4931ABV12 (*) | L4931ABD12 (*) | L4931ABPT12 (*) | L4931ABDT12 (*) | L4931ABZ12 (*) | 1.25 V |
| L4931CV15 (*) | L4931CD15 (*) | L4931CPT15 (*) | L4931CDT15 (*) | L4931CZ15 (*) | 1.5 V |
| L4931ABV15 (*) | L4931ABD15 (*) | L4931ABPT15 (*) | L4931ABDT15 (*) | L4931ABZ15 (*) | 1.5 V |
| L4931CV25 (*) | L4931CD25 | L4931CPT25 (*) | L4931CDT25 | L4931CZ25 (*) | 2.5 V |
| L4931ABV25 (*) | L4931ABD25 | L4931ABPT25 (*) | L4931ABDT25 | L4931ABZ25 (*) | 2.5 V |
| L4931CV27 | L4931CD27 | L4931CPT27 | L4931CDT27 | L4931CZ27 | 2.7 V |
| L4931ABV27 | L4931ABD27 | L4931ABPT27 | L4931ABDT27 | L4931ABZ27 | 2.7 V |
| L4931CV30 | L4931CD30 | L4931CPT30 | L4931CDT30 | L4931CZ30 | 3 V |
| L4931ABV30 | L4931ABD30 | L4931ABPT30 | L4931ABDT30 | L4931ABZ30 | 3 V |
| L4931CV33 | L4931CD33 | L4931CPT33 | L4931CDT33 | L4931CZ33 | 3.3 V |
| L4931ABV33 | L4931ABD33 | L4931ABPT33 | L4931ABDT33 | L4931ABZ33 | 3.3 V |
| L4931CV35 | L4931CD35 | L4931CPT35 | L4931CDT35 | L4931CZ35 | 3.5 V |
| L4931ABV35 | L4931ABD35 | L4931ABPT35 | L4931ABDT35 | L4931ABZ35 | 3.5 V |
| L4931CV40 | L4931CD40 | L4931CPT40 | L4931CDT40 | L4931CZ40 | 4 V |
| L4931ABV40 | L4931ABD40 | L4931ABPT40 | L4931ABDT40 | L4931ABZ40 | 4 V |
| L4931CV45 (*) | L4931CD45 (*) | L4931CPT45 (*) | L4931CDT45 (*) | L4931CZ45 (*) | 4.5 V |
| L4931ABV45 (*) | L4931ABD45 (*) | L4931ABPT45 (*) | L4931ABDT45 (*) | L4931ABZ45 (*) | 4.5 V |
| L4931CV47 | L4931CD47 | L4931CPT47 | L4931CDT47 | L4931CZ47 | 4.75 V |
| L4931ABV47 | L4931ABD47 | L4931ABPT47 | L4931ABDT47 | L4931ABZ47 | 4.75 V |
| L4931CV50 | L4931CD50 | L4931CPT50 | L4931CDT50 | L4931CZ50 | 5 V |
| L4931ABV50 | L4931ABD50 | L4931ABPT50 | L4931ABDT50 | L4931ABZ50 | 5 V |
| L4931CV52 (*) | L4931CD52 (*) | L4931CPT52 (*) | L4931CDT52 (*) | L4931CZ52 (*) | 5.2 V |
| L4931ABV52 (*) | L4931ABD52 (*) | L4931ABPT52 (*) | L4931ABDT52 (*) | L4931ABZ52 (*) | 5.2 V |
| L4931CV55 (*) | L4931CD55 (*) | L4931CPT55 (*) | L4931CDT55 (*) | L4931CZ55 (*) | 5.5 V |
| L4931ABV55 (*) | L4931ABD55 (*) | L4931ABPT55 (*) | L4931ABDT55 (*) | L4931ABZ55 (*) | 5.5 V |
| L4931CV60 | L4931CD60 | L4931CPT60 | L4931CDT60 | L4931CZ60 | 6 V |
| L4931ABV60 | L4931ABD60 | L4931ABPT60 | L4931ABDT60 | L4931ABZ60 | 6 V |
| L4931CV80 | L4931CD80 | L4931CPT80 | L4931CDT80 | L4931CZ80 | 8 V |
| L4931ABV80 | L4931ABD80 | L4931ABPT80 | L4931ABDT80 | L4931ABZ80 | 8 V |
| L4931CV120 | L4931CD120 | L4931CPT120 | L4931CDT120 | L4931CZ120 | 12 V |
| L4931ABV120 | L4931ABD120 | L4931ABPT120 | L4931ABDT120 | L4931ABZ120 | 12 V |

(*) Available on request.

勝特力材料 886-3-5753170
 勝特力电子(上海) 86-21-54151736
 勝特力电子(深圳) 86-755-83298787
[Http://www.100y.com.tw](http://www.100y.com.tw)

L4931 SERIES

TEST CIRCUITS



ELECTRICAL CHARACTERISTICS OF L4931ABxx12 (refer to the test circuits, $T_J = 25^\circ\text{C}$, $C_I = 0.1 \mu\text{F}$, $C_O = 2.2 \mu\text{F}$ unless otherwise specified).

| Symbol | Parameter | Test Conditions | Min. | Typ. | Max. | Unit |
|------------------|------------------------------|---|----------------------|------|-------|---------------|
| V_O | Output Voltage | $I_O = 5 \text{ mA}$ $V_I = 3.3 \text{ V}$ | 1.238 | 1.25 | 1.263 | V |
| | | $I_O = 5 \text{ mA}$ $V_I = 3.3 \text{ V}$ $T_A = -25 \text{ to } 85^\circ\text{C}$ | 1.225 | | 1.275 | |
| V_I | Operating Input Voltage | $I_O = 250 \text{ mA}$ | 2.5 | | 20 | V |
| I_{out} | Output Current Limit | | | 300 | | mA |
| ΔV_O | Line Regulation | $V_I = 2.5 \text{ to } 20 \text{ V}$ $I_O = 0.5 \text{ mA}$ | | 3 | 15 | mV |
| $\Delta V_O(^*)$ | Load Regulation | $V_I = 2.7 \text{ V}$ $I_O = 0.5 \text{ to } 250 \text{ mA}$ | | 3 | 15 | mV |
| I_d | Quiescent Current ON MODE | $V_I = 2.7 \text{ to } 20 \text{ V}$ $I_O = 0 \text{ mA}$ | | 0.6 | 1 | mA |
| | | $V_I = 2.7 \text{ to } 20 \text{ V}$ $I_O = 250 \text{ mA}$ | | 4 | 6 | |
| | | OFF MODE | $V_I = 6 \text{ V}$ | | 50 | 100 |
| SVR | Supply Voltage Rejection | $I_O = 5 \text{ mA}$ $V_I = 3.7 \pm 1 \text{ V}$ | $f = 120 \text{ Hz}$ | 80 | | dB |
| | | | $f = 1 \text{ KHz}$ | 77 | | |
| | | | $f = 10 \text{ KHz}$ | 55 | | |
| eN | Output Noise Voltage | $B = 10 \text{ Hz to } 100 \text{ KHz}$ | | 50 | | μV |
| $V_d(^*)$ | Dropout Voltage | $I_O = 250 \text{ mA}$ | | 1.25 | | V |
| V_{IL} | Control Input Logic Low | $T_A = -40 \text{ to } 125^\circ\text{C}$ | | | 0.8 | V |
| V_{IH} | Control Input Logic High | $T_A = -40 \text{ to } 125^\circ\text{C}$ | 2 | | | V |
| I_I | Control Input Current | $V_I = 6 \text{ V}$, $V_C = 6 \text{ V}$ | | 10 | | μA |
| C_O | Output Bypass Capacitance | $\text{ESR} = 0.1 \text{ to } 10 \Omega$ $I_O = 0 \text{ to } 250 \text{ mA}$ | 2 | 10 | | μF |

(*) For SO-8 package the maximum limit of load regulation and dropout is increased by 20 mV.

勝特力材料 886-3-5753170
 勝特力电子(上海) 86-21-54151736
 勝特力电子(深圳) 86-755-83298787
[Http://www.100y.com.tw](http://www.100y.com.tw)

ELECTRICAL CHARACTERISTICS OF L4931Cxx12 (refer to the test circuits, $T_J = 25^\circ\text{C}$, $C_I = 0.1 \mu\text{F}$, $C_O = 2.2 \mu\text{F}$ unless otherwise specified).

| Symbol | Parameter | Test Conditions | Min. | Typ. | Max. | Unit |
|------------------|------------------------------|---|----------------------|------|-------|---------------|
| V_O | Output Voltage | $I_O = 5 \text{ mA}$ $V_I = 3.3 \text{ V}$ | 1.225 | 1.25 | 1.275 | V |
| | | $I_O = 5 \text{ mA}$ $V_I = 3.3 \text{ V}$ $T_A = -25 \text{ to } 85^\circ\text{C}$ | 1.2 | | 1.3 | |
| V_I | Operating Input Voltage | $I_O = 250 \text{ mA}$ | 2.5 | | 20 | V |
| I_{out} | Output Current Limit | | | 300 | | mA |
| ΔV_O | Line Regulation | $V_I = 2.5 \text{ to } 20 \text{ V}$ $I_O = 0.5 \text{ mA}$ | | 3 | 18 | mV |
| $\Delta V_O(^*)$ | Load Regulation | $V_I = 2.7 \text{ V}$ $I_O = 0.5 \text{ to } 250 \text{ mA}$ | | 3 | 18 | mV |
| I_d | Quiescent Current ON MODE | $V_I = 2.7 \text{ to } 20 \text{ V}$ $I_O = 0 \text{ mA}$ | | 0.6 | 1 | mA |
| | | $V_I = 2.7 \text{ to } 20 \text{ V}$ $I_O = 250 \text{ mA}$ | | 4 | 6 | |
| | OFF MODE | $V_I = 6 \text{ V}$ | | 50 | 100 | μA |
| SVR | Supply Voltage Rejection | $I_O = 5 \text{ mA}$ $V_I = 3.7 \pm 1 \text{ V}$ | $f = 120 \text{ Hz}$ | 80 | | dB |
| | | | $f = 1 \text{ KHz}$ | 77 | | |
| | | | $f = 10 \text{ KHz}$ | 55 | | |
| eN | Output Noise Voltage | $B = 10 \text{ Hz to } 100 \text{ KHz}$ | | 50 | | μV |
| $V_d(^*)$ | Dropout Voltage | $I_O = 250 \text{ mA}$ | | 1.25 | | V |
| V_{IL} | Control Input Logic Low | $T_A = -40 \text{ to } 125^\circ\text{C}$ | | | 0.8 | V |
| V_{IH} | Control Input Logic High | $T_A = -40 \text{ to } 125^\circ\text{C}$ | 2 | | | V |
| I_I | Control Input Current | $V_I = 6 \text{ V}$, $V_C = 6 \text{ V}$ | | 10 | | μA |
| C_O | Output Bypass Capacitance | $\text{ESR} = 0.1 \text{ to } 10 \Omega$ $I_O = 0 \text{ to } 250 \text{ mA}$ | 2 | 10 | | μF |

(*) For SO-8 package the maximum limit of load regulation and dropout is increased by 20 mV.

ELECTRICAL CHARACTERISTICS OF L4931ABxx15 (refer to the test circuits, $T_J = 25^\circ\text{C}$, $C_I = 0.1 \mu\text{F}$, $C_O = 2.2 \mu\text{F}$ unless otherwise specified).

| Symbol | Parameter | Test Conditions | Min. | Typ. | Max. | Unit |
|------------------|------------------------------|---|----------------------|------|-------|---------------|
| V_O | Output Voltage | $I_O = 5 \text{ mA}$ $V_I = 3.5 \text{ V}$ | 1.485 | 1.5 | 1.515 | V |
| | | $I_O = 5 \text{ mA}$ $V_I = 3.5 \text{ V}$ $T_A = -25 \text{ to } 85^\circ\text{C}$ | 1.47 | | 1.53 | |
| V_I | Operating Input Voltage | $I_O = 250 \text{ mA}$ | 2.5 | | 20 | V |
| I_{out} | Output Current Limit | | | 300 | | mA |
| ΔV_O | Line Regulation | $V_I = 2.5 \text{ to } 20 \text{ V}$ $I_O = 0.5 \text{ mA}$ | | 3 | 15 | mV |
| $\Delta V_O(^*)$ | Load Regulation | $V_I = 2.7 \text{ V}$ $I_O = 0.5 \text{ to } 250 \text{ mA}$ | | 3 | 15 | mV |
| I_d | Quiescent Current ON MODE | $V_I = 2.7 \text{ to } 20 \text{ V}$ $I_O = 0 \text{ mA}$ | | 0.6 | 1 | mA |
| | | $V_I = 2.7 \text{ to } 20 \text{ V}$ $I_O = 250 \text{ mA}$ | | 4 | 6 | |
| | OFF MODE | $V_I = 6 \text{ V}$ | | 50 | 100 | μA |
| SVR | Supply Voltage Rejection | $I_O = 5 \text{ mA}$ $V_I = 3.7 \pm 1 \text{ V}$ | $f = 120 \text{ Hz}$ | 79 | | dB |
| | | | $f = 1 \text{ KHz}$ | 76 | | |
| | | | $f = 10 \text{ KHz}$ | 55 | | |
| eN | Output Noise Voltage | $B = 10 \text{ Hz to } 100 \text{ KHz}$ | | 50 | | μV |
| $V_d(^*)$ | Dropout Voltage | $I_O = 250 \text{ mA}$ | | 1 | | V |
| V_{IL} | Control Input Logic Low | $T_A = -40 \text{ to } 125^\circ\text{C}$ | | | 0.8 | V |
| V_{IH} | Control Input Logic High | $T_A = -40 \text{ to } 125^\circ\text{C}$ | 2 | | | V |
| I_I | Control Input Current | $V_I = 6 \text{ V}$, $V_C = 6 \text{ V}$ | | 10 | | μA |
| C_O | Output Bypass Capacitance | $\text{ESR} = 0.1 \text{ to } 10 \Omega$ $I_O = 0 \text{ to } 250 \text{ mA}$ | 2 | 10 | | μF |

(*) For SO-8 package the maximum limit of load regulation and dropout is increased by 20 mV.

L4931 SERIES

ELECTRICAL CHARACTERISTICS OF L4931Cxx15 (refer to the test circuits, $T_J = 25^\circ\text{C}$, $C_I = 0.1 \mu\text{F}$, $C_O = 2.2 \mu\text{F}$ unless otherwise specified).

| Symbol | Parameter | Test Conditions | Min. | Typ. | Max. | Unit |
|------------------|------------------------------|---|----------------------|------|------|---------------|
| V_O | Output Voltage | $I_O = 5 \text{ mA}$ $V_I = 3.5 \text{ V}$ | 1.47 | 1.5 | 1.53 | V |
| | | $I_O = 5 \text{ mA}$ $V_I = 3.5 \text{ V}$ $T_A = -25 \text{ to } 85^\circ\text{C}$ | 1.44 | | 1.56 | |
| V_I | Operating Input Voltage | $I_O = 250 \text{ mA}$ | 2.5 | | 20 | V |
| I_{out} | Output Current Limit | | | 300 | | mA |
| ΔV_O | Line Regulation | $V_I = 2.5 \text{ to } 20 \text{ V}$ $I_O = 0.5 \text{ mA}$ | | 3 | 18 | mV |
| $\Delta V_O(^*)$ | Load Regulation | $V_I = 2.7 \text{ V}$ $I_O = 0.5 \text{ to } 250 \text{ mA}$ | | 3 | 18 | mV |
| I_d | Quiescent Current ON MODE | $V_I = 2.7 \text{ to } 20 \text{ V}$ $I_O = 0 \text{ mA}$ | | 0.6 | 1 | mA |
| | | $V_I = 2.7 \text{ to } 20 \text{ V}$ $I_O = 250 \text{ mA}$ | | 4 | 6 | |
| | OFF MODE | $V_I = 6 \text{ V}$ | | 50 | 100 | μA |
| SVR | Supply Voltage Rejection | $I_O = 5 \text{ mA}$ $V_I = 3.7 \pm 1 \text{ V}$ | $f = 120 \text{ Hz}$ | | 79 | dB |
| | | | $f = 1 \text{ KHz}$ | | 76 | |
| | | | $f = 10 \text{ KHz}$ | | 55 | |
| eN | Output Noise Voltage | $B = 10 \text{ Hz to } 100 \text{ KHz}$ | | 50 | | μV |
| $V_d(^*)$ | Dropout Voltage | $I_O = 250 \text{ mA}$ | | 1 | | V |
| V_{IL} | Control Input Logic Low | $T_A = -40 \text{ to } 125^\circ\text{C}$ | | | 0.8 | V |
| V_{IH} | Control Input Logic High | $T_A = -40 \text{ to } 125^\circ\text{C}$ | 2 | | | V |
| I_I | Control Input Current | $V_I = 6 \text{ V}$, $V_C = 6 \text{ V}$ | | 10 | | μA |
| C_O | Output Bypass Capacitance | $\text{ESR} = 0.1 \text{ to } 10 \Omega$ $I_O = 0 \text{ to } 250 \text{ mA}$ | 2 | 10 | | μF |

(*) For SO-8 package the maximum limit of load regulation and dropout is increased by 20 mV.

ELECTRICAL CHARACTERISTICS OF L4931ABxx25 (refer to the test circuits, $T_J = 25^\circ\text{C}$, $C_I = 0.1 \mu\text{F}$, $C_O = 2.2 \mu\text{F}$ unless otherwise specified).

| Symbol | Parameter | Test Conditions | Min. | Typ. | Max. | Unit |
|------------------|------------------------------|---|----------------------|------|-------|---------------|
| V_O | Output Voltage | $I_O = 5 \text{ mA}$ $V_I = 4.5 \text{ V}$ | 2.475 | 2.5 | 2.525 | V |
| | | $I_O = 5 \text{ mA}$ $V_I = 4.5 \text{ V}$ $T_A = -25 \text{ to } 85^\circ\text{C}$ | 2.45 | | 2.55 | |
| V_I | Operating Input Voltage | $I_O = 250 \text{ mA}$ | | | 20 | V |
| I_{out} | Output Current Limit | | | 300 | | mA |
| ΔV_O | Line Regulation | $V_I = 3.2 \text{ to } 20 \text{ V}$ $I_O = 0.5 \text{ mA}$ | | 3 | 15 | mV |
| $\Delta V_O(^*)$ | Load Regulation | $V_I = 3.4 \text{ V}$ $I_O = 0.5 \text{ to } 250 \text{ mA}$ | | 3 | 15 | mV |
| I_d | Quiescent Current ON MODE | $V_I = 3.4 \text{ to } 20 \text{ V}$ $I_O = 0 \text{ mA}$ | | 0.6 | 1 | mA |
| | | $V_I = 3.4 \text{ to } 20 \text{ V}$ $I_O = 250 \text{ mA}$ | | 4 | 6 | |
| | OFF MODE | $V_I = 6 \text{ V}$ | | 50 | 100 | μA |
| SVR | Supply Voltage Rejection | $I_O = 5 \text{ mA}$ $V_I = 4.4 \pm 1 \text{ V}$ | $f = 120 \text{ Hz}$ | | 75 | dB |
| | | | $f = 1 \text{ KHz}$ | | 72 | |
| | | | $f = 10 \text{ KHz}$ | | 55 | |
| eN | Output Noise Voltage | $B = 10 \text{ Hz to } 100 \text{ KHz}$ | | 50 | | μV |
| $V_d(^*)$ | Dropout Voltage | $I_O = 250 \text{ mA}$ | | 0.4 | 0.6 | V |
| | | $I_O = 250 \text{ mA}$ $T_J = -40 \text{ to } 125^\circ\text{C}$ | | | 0.8 | |
| V_{IL} | Control Input Logic Low | $T_A = -40 \text{ to } 125^\circ\text{C}$ | | | 0.8 | V |
| V_{IH} | Control Input Logic High | $T_A = -40 \text{ to } 125^\circ\text{C}$ | 2 | | | V |
| I_I | Control Input Current | $V_I = 6 \text{ V}$, $V_C = 6 \text{ V}$ | | 10 | | μA |
| C_O | Output Bypass Capacitance | $\text{ESR} = 0.1 \text{ to } 10 \Omega$ $I_O = 0 \text{ to } 250 \text{ mA}$ | 2 | 10 | | μF |

(*) For SO-8 package the maximum limit of load regulation and dropout is increased by 20 mV.

ELECTRICAL CHARACTERISTICS OF L4931Cxx25 (refer to the test circuits, $T_J = 25^\circ\text{C}$, $C_I = 0.1 \mu\text{F}$, $C_O = 2.2 \mu\text{F}$ unless otherwise specified).

| Symbol | Parameter | Test Conditions | Min. | Typ. | Max. | Unit |
|------------------|------------------------------|---|----------------------|------|------|---------------|
| V_O | Output Voltage | $I_O = 5 \text{ mA}$ $V_I = 4.5 \text{ V}$ | 2.45 | 2.5 | 2.55 | V |
| | | $I_O = 5 \text{ mA}$ $V_I = 4.5 \text{ V}$ $T_A = -25 \text{ to } 85^\circ\text{C}$ | 2.4 | | 2.6 | |
| V_I | Operating Input Voltage | $I_O = 250 \text{ mA}$ | | | 20 | V |
| I_{out} | Output Current Limit | | | 300 | | mA |
| ΔV_O | Line Regulation | $V_I = 3.3 \text{ to } 20 \text{ V}$ $I_O = 0.5 \text{ mA}$ | | 3 | 18 | mV |
| $\Delta V_O(^*)$ | Load Regulation | $V_I = 3.5 \text{ V}$ $I_O = 0.5 \text{ to } 250 \text{ mA}$ | | 3 | 18 | mV |
| I_d | Quiescent Current ON MODE | $V_I = 3.5 \text{ to } 20 \text{ V}$ $I_O = 0 \text{ mA}$ | | 0.6 | 1 | mA |
| | | $V_I = 3.5 \text{ to } 20 \text{ V}$ $I_O = 250 \text{ mA}$ | | 4 | 6 | |
| | OFF MODE | $V_I = 6 \text{ V}$ | | 50 | 100 | μA |
| SVR | Supply Voltage Rejection | $I_O = 5 \text{ mA}$ $V_I = 4.4 \pm 1 \text{ V}$ | $f = 120 \text{ Hz}$ | 75 | | dB |
| | | | $f = 1 \text{ KHz}$ | 72 | | |
| | | | $f = 10 \text{ KHz}$ | 55 | | |
| eN | Output Noise Voltage | $B = 10 \text{ Hz to } 100 \text{ KHz}$ | | 50 | | μV |
| $V_d(^*)$ | Dropout Voltage | $I_O = 250 \text{ mA}$ | | 0.4 | 0.6 | V |
| | | $I_O = 250 \text{ mA}$ $T_J = -40 \text{ to } 125^\circ\text{C}$ | | | 0.8 | |
| V_{IL} | Control Input Logic Low | $T_A = -40 \text{ to } 125^\circ\text{C}$ | | | 0.8 | V |
| V_{IH} | Control Input Logic High | $T_A = -40 \text{ to } 125^\circ\text{C}$ | 2 | | | V |
| I_I | Control Input Current | $V_I = 6 \text{ V}$, $V_C = 6 \text{ V}$ | | 10 | | μA |
| C_O | Output Bypass Capacitance | $\text{ESR} = 0.1 \text{ to } 10 \Omega$ $I_O = 0 \text{ to } 250 \text{ mA}$ | 2 | 10 | | μF |

(*) For SO-8 package the maximum limit of load regulation and dropout is increased by 20 mV.

ELECTRICAL CHARACTERISTICS OF L4931ABxx27 (refer to the test circuits, $T_J = 25^\circ\text{C}$, $C_I = 0.1 \mu\text{F}$, $C_O = 2.2 \mu\text{F}$ unless otherwise specified).

| Symbol | Parameter | Test Conditions | Min. | Typ. | Max. | Unit |
|------------------|------------------------------|---|----------------------|------|-------|---------------|
| V_O | Output Voltage | $I_O = 5 \text{ mA}$ $V_I = 4.7 \text{ V}$ | 2.673 | 2.7 | 2.727 | V |
| | | $I_O = 5 \text{ mA}$ $V_I = 4.7 \text{ V}$ $T_A = -25 \text{ to } 85^\circ\text{C}$ | 2.646 | | 2.754 | |
| V_I | Operating Input Voltage | $I_O = 250 \text{ mA}$ | | | 20 | V |
| I_{out} | Output Current Limit | | | 300 | | mA |
| ΔV_O | Line Regulation | $V_I = 3.4 \text{ to } 20 \text{ V}$ $I_O = 0.5 \text{ mA}$ | | 3 | 15 | mV |
| $\Delta V_O(^*)$ | Load Regulation | $V_I = 3.6 \text{ V}$ $I_O = 0.5 \text{ to } 250 \text{ mA}$ | | 3 | 15 | mV |
| I_d | Quiescent Current ON MODE | $V_I = 3.6 \text{ to } 20 \text{ V}$ $I_O = 0 \text{ mA}$ | | 0.6 | 1 | mA |
| | | $V_I = 3.6 \text{ to } 20 \text{ V}$ $I_O = 250 \text{ mA}$ | | 4 | 6 | |
| | OFF MODE | $V_I = 6 \text{ V}$ | | 50 | 100 | μA |
| SVR | Supply Voltage Rejection | $I_O = 5 \text{ mA}$ $V_I = 4.6 \pm 1 \text{ V}$ | $f = 120 \text{ Hz}$ | 74 | | dB |
| | | | $f = 1 \text{ KHz}$ | 71 | | |
| | | | $f = 10 \text{ KHz}$ | 55 | | |
| eN | Output Noise Voltage | $B = 10 \text{ Hz to } 100 \text{ KHz}$ | | 50 | | μV |
| $V_d(^*)$ | Dropout Voltage | $I_O = 250 \text{ mA}$ | | 0.4 | 0.6 | V |
| | | $I_O = 250 \text{ mA}$ $T_J = -40 \text{ to } 125^\circ\text{C}$ | | | 0.8 | |
| V_{IL} | Control Input Logic Low | $T_A = -40 \text{ to } 125^\circ\text{C}$ | | | 0.8 | V |
| V_{IH} | Control Input Logic High | $T_A = -40 \text{ to } 125^\circ\text{C}$ | 2 | | | V |
| I_I | Control Input Current | $V_I = 6 \text{ V}$, $V_C = 6 \text{ V}$ | | 10 | | μA |
| C_O | Output Bypass Capacitance | $\text{ESR} = 0.1 \text{ to } 10 \Omega$ $I_O = 0 \text{ to } 250 \text{ mA}$ | 2 | 10 | | μF |

(*) For SO-8 package the maximum limit of load regulation and dropout is increased by 20 mV.



L4931 SERIES

ELECTRICAL CHARACTERISTICS OF L4931Cxx27 (refer to the test circuits, $T_J = 25^\circ\text{C}$, $C_I = 0.1 \mu\text{F}$, $C_O = 2.2 \mu\text{F}$ unless otherwise specified).

| Symbol | Parameter | Test Conditions | Min. | Typ. | Max. | Unit |
|-----------------|------------------------------|---|----------------------|------|-------|---------------|
| V_O | Output Voltage | $I_O = 5 \text{ mA}$ $V_I = 4.7 \text{ V}$ | 2.646 | 2.7 | 2.754 | V |
| | | $I_O = 5 \text{ mA}$ $V_I = 4.7 \text{ V}$ $T_A = -25 \text{ to } 85^\circ\text{C}$ | 2.592 | | 2.808 | |
| V_I | Operating Input Voltage | $I_O = 250 \text{ mA}$ | | | 20 | V |
| I_{out} | Output Current Limit | | | 300 | | mA |
| ΔV_O | Line Regulation | $V_I = 3.4 \text{ to } 20 \text{ V}$ $I_O = 0.5 \text{ mA}$ | | 3 | 18 | mV |
| $\Delta V_O(*)$ | Load Regulation | $V_I = 3.6 \text{ V}$ $I_O = 0.5 \text{ to } 250 \text{ mA}$ | | 3 | 18 | mV |
| I_d | Quiescent Current ON MODE | $V_I = 3.6 \text{ to } 20 \text{ V}$ $I_O = 0 \text{ mA}$ | | 0.6 | 1 | mA |
| | | $V_I = 3.6 \text{ to } 20 \text{ V}$ $I_O = 250 \text{ mA}$ | | 4 | 6 | |
| | OFF MODE | $V_I = 6 \text{ V}$ | | 50 | 100 | μA |
| SVR | Supply Voltage Rejection | $I_O = 5 \text{ mA}$ $V_I = 4.6 \pm 1 \text{ V}$ | $f = 120 \text{ Hz}$ | | 74 | dB |
| | | | $f = 1 \text{ KHz}$ | | 71 | |
| | | | $f = 10 \text{ KHz}$ | | 55 | |
| eN | Output Noise Voltage | $B = 10 \text{ Hz to } 100 \text{ KHz}$ | | 50 | | μV |
| $V_d(*)$ | Dropout Voltage | $I_O = 250 \text{ mA}$ | | 0.4 | 0.6 | V |
| | | $I_O = 250 \text{ mA}$ $T_J = -40 \text{ to } 125^\circ\text{C}$ | | | 0.8 | |
| V_{IL} | Control Input Logic Low | $T_A = -40 \text{ to } 125^\circ\text{C}$ | | | 0.8 | V |
| V_{IH} | Control Input Logic High | $T_A = -40 \text{ to } 125^\circ\text{C}$ | 2 | | | V |
| I_I | Control Input Current | $V_I = 6 \text{ V}$, $V_C = 6 \text{ V}$ | | 10 | | μA |
| C_O | Output Bypass Capacitance | $\text{ESR} = 0.1 \text{ to } 10 \Omega$ $I_O = 0 \text{ to } 250 \text{ mA}$ | 2 | 10 | | μF |

(*) For SO-8 package the maximum limit of load regulation and dropout is increased by 20 mV.

ELECTRICAL CHARACTERISTICS OF L4931ABxx30 (refer to the test circuits, $T_J = 25^\circ\text{C}$, $C_I = 0.1 \mu\text{F}$, $C_O = 2.2 \mu\text{F}$ unless otherwise specified).

| Symbol | Parameter | Test Conditions | Min. | Typ. | Max. | Unit |
|-----------------|------------------------------|---|----------------------|------|------|---------------|
| V_O | Output Voltage | $I_O = 5 \text{ mA}$ $V_I = 5 \text{ V}$ | 2.97 | 3 | 3.03 | V |
| | | $I_O = 5 \text{ mA}$ $V_I = 5 \text{ V}$ $T_A = -25 \text{ to } 85^\circ\text{C}$ | 2.94 | | 3.06 | |
| V_I | Operating Input Voltage | $I_O = 250 \text{ mA}$ | | | 20 | V |
| I_{out} | Output Current Limit | | | 300 | | mA |
| ΔV_O | Line Regulation | $V_I = 3.7 \text{ to } 20 \text{ V}$ $I_O = 0.5 \text{ mA}$ | | 3 | 15 | mV |
| $\Delta V_O(*)$ | Load Regulation | $V_I = 3.9 \text{ V}$ $I_O = 0.5 \text{ to } 250 \text{ mA}$ | | 3 | 15 | mV |
| I_d | Quiescent Current ON MODE | $V_I = 3.9 \text{ to } 20 \text{ V}$ $I_O = 0 \text{ mA}$ | | 0.6 | 1 | mA |
| | | $V_I = 3.9 \text{ to } 20 \text{ V}$ $I_O = 250 \text{ mA}$ | | 4 | 6 | |
| | OFF MODE | $V_I = 6 \text{ V}$ | | 50 | 100 | μA |
| SVR | Supply Voltage Rejection | $I_O = 5 \text{ mA}$ $V_I = 4.9 \pm 1 \text{ V}$ | $f = 120 \text{ Hz}$ | | 74 | dB |
| | | | $f = 1 \text{ KHz}$ | | 71 | |
| | | | $f = 10 \text{ KHz}$ | | 55 | |
| eN | Output Noise Voltage | $B = 10 \text{ Hz to } 100 \text{ KHz}$ | | 50 | | μV |
| $V_d(*)$ | Dropout Voltage | $I_O = 250 \text{ mA}$ | | 0.4 | 0.6 | V |
| | | $I_O = 250 \text{ mA}$ $T_J = -40 \text{ to } 125^\circ\text{C}$ | | | 0.8 | |
| V_{IL} | Control Input Logic Low | $T_A = -40 \text{ to } 125^\circ\text{C}$ | | | 0.8 | V |
| V_{IH} | Control Input Logic High | $T_A = -40 \text{ to } 125^\circ\text{C}$ | 2 | | | V |
| I_I | Control Input Current | $V_I = 6 \text{ V}$, $V_C = 6 \text{ V}$ | | 10 | | μA |
| C_O | Output Bypass Capacitance | $\text{ESR} = 0.1 \text{ to } 10 \Omega$ $I_O = 0 \text{ to } 250 \text{ mA}$ | 2 | 10 | | μF |

(*) For SO-8 package the maximum limit of load regulation and dropout is increased by 20 mV.

ELECTRICAL CHARACTERISTICS OF L4931Cxx30 (refer to the test circuits, $T_J = 25^\circ\text{C}$, $C_I = 0.1 \mu\text{F}$, $C_O = 2.2 \mu\text{F}$ unless otherwise specified).

| Symbol | Parameter | Test Conditions | Min. | Typ. | Max. | Unit |
|------------------|------------------------------|---|----------------------|------|------|---------------|
| V_O | Output Voltage | $I_O = 5 \text{ mA}$ $V_I = 5 \text{ V}$ | 2.94 | 3 | 3.06 | V |
| | | $I_O = 5 \text{ mA}$ $V_I = 5 \text{ V}$ $T_A = -25 \text{ to } 85^\circ\text{C}$ | 2.88 | | 3.12 | |
| V_I | Operating Input Voltage | $I_O = 250 \text{ mA}$ | | | 20 | V |
| I_{out} | Output Current Limit | | | 300 | | mA |
| ΔV_O | Line Regulation | $V_I = 3.8 \text{ to } 20 \text{ V}$ $I_O = 0.5 \text{ mA}$ | | 3 | 18 | mV |
| $\Delta V_O(^*)$ | Load Regulation | $V_I = 4 \text{ V}$ $I_O = 0.5 \text{ to } 250 \text{ mA}$ | | 3 | 18 | mV |
| I_d | Quiescent Current ON MODE | $V_I = 4 \text{ to } 20 \text{ V}$ $I_O = 0 \text{ mA}$ | | 0.6 | 1 | mA |
| | | $V_I = 4 \text{ to } 20 \text{ V}$ $I_O = 250 \text{ mA}$ | | 4 | 6 | |
| | OFF MODE | $V_I = 6 \text{ V}$ | | 50 | 100 | μA |
| SVR | Supply Voltage Rejection | $I_O = 5 \text{ mA}$ $V_I = 5 \pm 1 \text{ V}$ | $f = 120 \text{ Hz}$ | | 74 | dB |
| | | | $f = 1 \text{ KHz}$ | | 71 | |
| | | | $f = 10 \text{ KHz}$ | | 55 | |
| eN | Output Noise Voltage | $B = 10 \text{ Hz to } 100 \text{ KHz}$ | | 50 | | μV |
| $V_d(^*)$ | Dropout Voltage | $I_O = 250 \text{ mA}$ | | 0.4 | 0.6 | V |
| | | $I_O = 250 \text{ mA}$ $T_J = -40 \text{ to } 125^\circ\text{C}$ | | | 0.8 | |
| V_{IL} | Control Input Logic Low | $T_A = -40 \text{ to } 125^\circ\text{C}$ | | | 0.8 | V |
| V_{IH} | Control Input Logic High | $T_A = -40 \text{ to } 125^\circ\text{C}$ | 2 | | | V |
| I_I | Control Input Current | $V_I = 6 \text{ V}$, $V_C = 6 \text{ V}$ | | 10 | | μA |
| C_O | Output Bypass Capacitance | $\text{ESR} = 0.1 \text{ to } 10 \Omega$ $I_O = 0 \text{ to } 250 \text{ mA}$ | 2 | 10 | | μF |

(*) For SO-8 package the maximum limit of load regulation and dropout is increased by 20 mV.

ELECTRICAL CHARACTERISTICS OF L4931ABxx33 (refer to the test circuits, $T_J = 25^\circ\text{C}$, $C_I = 0.1 \mu\text{F}$, $C_O = 2.2 \mu\text{F}$ unless otherwise specified).

| Symbol | Parameter | Test Conditions | Min. | Typ. | Max. | Unit |
|------------------|------------------------------|---|----------------------|------|-------|---------------|
| V_O | Output Voltage | $I_O = 5 \text{ mA}$ $V_I = 5.3 \text{ V}$ | 3.267 | 3.3 | 3.333 | V |
| | | $I_O = 5 \text{ mA}$ $V_I = 5.3 \text{ V}$ $T_A = -25 \text{ to } 85^\circ\text{C}$ | 3.234 | | 3.366 | |
| V_I | Operating Input Voltage | $I_O = 250 \text{ mA}$ | | | 20 | V |
| I_{out} | Output Current Limit | | | 300 | | mA |
| ΔV_O | Line Regulation | $V_I = 4 \text{ to } 20 \text{ V}$ $I_O = 0.5 \text{ mA}$ | | 3 | 15 | mV |
| $\Delta V_O(^*)$ | Load Regulation | $V_I = 4.2 \text{ V}$ $I_O = 0.5 \text{ to } 250 \text{ mA}$ | | 3 | 15 | mV |
| I_d | Quiescent Current ON MODE | $V_I = 4.2 \text{ to } 20 \text{ V}$ $I_O = 0 \text{ mA}$ | | 0.6 | 1 | mA |
| | | $V_I = 4.2 \text{ to } 20 \text{ V}$ $I_O = 250 \text{ mA}$ | | 4 | 6 | |
| | OFF MODE | $V_I = 6 \text{ V}$ | | 50 | 100 | μA |
| SVR | Supply Voltage Rejection | $I_O = 5 \text{ mA}$ $V_I = 5.2 \pm 1 \text{ V}$ | $f = 120 \text{ Hz}$ | | 73 | dB |
| | | | $f = 1 \text{ KHz}$ | | 70 | |
| | | | $f = 10 \text{ KHz}$ | | 55 | |
| eN | Output Noise Voltage | $B = 10 \text{ Hz to } 100 \text{ KHz}$ | | 50 | | μV |
| $V_d(^*)$ | Dropout Voltage | $I_O = 250 \text{ mA}$ | | 0.4 | 0.6 | V |
| | | $I_O = 250 \text{ mA}$ $T_J = -40 \text{ to } 125^\circ\text{C}$ | | | 0.8 | |
| V_{IL} | Control Input Logic Low | $T_A = -40 \text{ to } 125^\circ\text{C}$ | | | 0.8 | V |
| V_{IH} | Control Input Logic High | $T_A = -40 \text{ to } 125^\circ\text{C}$ | 2 | | | V |
| I_I | Control Input Current | $V_I = 6 \text{ V}$, $V_C = 6 \text{ V}$ | | 10 | | μA |
| C_O | Output Bypass Capacitance | $\text{ESR} = 0.1 \text{ to } 10 \Omega$ $I_O = 0 \text{ to } 250 \text{ mA}$ | 2 | 10 | | μF |

(*) For SO-8 package the maximum limit of load regulation and dropout is increased by 20 mV.



L4931 SERIES

ELECTRICAL CHARACTERISTICS OF L4931Cxx33 (refer to the test circuits, $T_J = 25^\circ\text{C}$, $C_I = 0.1 \mu\text{F}$, $C_O = 2.2 \mu\text{F}$ unless otherwise specified).

| Symbol | Parameter | Test Conditions | Min. | Typ. | Max. | Unit |
|------------------|------------------------------|---|----------------------|------|-------|---------------|
| V_O | Output Voltage | $I_O = 5 \text{ mA}$ $V_I = 5.3 \text{ V}$ | 3.234 | 3.3 | 3.366 | V |
| | | $I_O = 5 \text{ mA}$ $V_I = 5.3 \text{ V}$ $T_A = -25 \text{ to } 85^\circ\text{C}$ | 3.168 | | 3.432 | |
| V_I | Operating Input Voltage | $I_O = 250 \text{ mA}$ | | | 20 | V |
| I_{out} | Output Current Limit | | | 300 | | mA |
| ΔV_O | Line Regulation | $V_I = 4.1 \text{ to } 20 \text{ V}$ $I_O = 0.5 \text{ mA}$ | | 3 | 18 | mV |
| ΔV_O^* | Load Regulation | $V_I = 4.3 \text{ V}$ $I_O = 0.5 \text{ to } 250 \text{ mA}$ | | 3 | 18 | mV |
| I_d | Quiescent Current ON MODE | $V_I = 4.3 \text{ to } 20 \text{ V}$ $I_O = 0 \text{ mA}$ | | 0.6 | 1 | mA |
| | | $V_I = 4.3 \text{ to } 20 \text{ V}$ $I_O = 250 \text{ mA}$ | | 4 | 6 | |
| | OFF MODE | $V_I = 6 \text{ V}$ | | 50 | 100 | μA |
| SVR | Supply Voltage Rejection | $I_O = 5 \text{ mA}$ $V_I = 5.3 \pm 1 \text{ V}$ | $f = 120 \text{ Hz}$ | | 73 | dB |
| | | | $f = 1 \text{ KHz}$ | | 70 | |
| | | | $f = 10 \text{ KHz}$ | | 55 | |
| eN | Output Noise Voltage | $B = 10 \text{ Hz to } 100 \text{ KHz}$ | | 50 | | μV |
| V_d^* | Dropout Voltage | $I_O = 250 \text{ mA}$ | | 0.4 | 0.6 | V |
| | | $I_O = 250 \text{ mA}$ $T_J = -40 \text{ to } 125^\circ\text{C}$ | | | 0.8 | |
| V_{IL} | Control Input Logic Low | $T_A = -40 \text{ to } 125^\circ\text{C}$ | | | 0.8 | V |
| V_{IH} | Control Input Logic High | $T_A = -40 \text{ to } 125^\circ\text{C}$ | 2 | | | V |
| I_I | Control Input Current | $V_I = 6 \text{ V}$, $V_C = 6 \text{ V}$ | | 10 | | μA |
| C_O | Output Bypass Capacitance | $\text{ESR} = 0.1 \text{ to } 10 \Omega$ $I_O = 0 \text{ to } 250 \text{ mA}$ | 2 | 10 | | μF |

(*) For SO-8 package the maximum limit of load regulation and dropout is increased by 20 mV.

ELECTRICAL CHARACTERISTICS OF L4931ABxx35 (refer to the test circuits, $T_J = 25^\circ\text{C}$, $C_I = 0.1 \mu\text{F}$, $C_O = 2.2 \mu\text{F}$ unless otherwise specified).

| Symbol | Parameter | Test Conditions | Min. | Typ. | Max. | Unit |
|------------------|------------------------------|---|----------------------|------|-------|---------------|
| V_O | Output Voltage | $I_O = 5 \text{ mA}$ $V_I = 5.5 \text{ V}$ | 3.465 | 3.5 | 3.535 | V |
| | | $I_O = 5 \text{ mA}$ $V_I = 5.5 \text{ V}$ $T_A = -25 \text{ to } 85^\circ\text{C}$ | 3.43 | | 3.57 | |
| V_I | Operating Input Voltage | $I_O = 250 \text{ mA}$ | | | 20 | V |
| I_{out} | Output Current Limit | | | 300 | | mA |
| ΔV_O | Line Regulation | $V_I = 4.2 \text{ to } 20 \text{ V}$ $I_O = 0.5 \text{ mA}$ | | 3 | 15 | mV |
| ΔV_O^* | Load Regulation | $V_I = 4.4 \text{ V}$ $I_O = 0.5 \text{ to } 250 \text{ mA}$ | | 3 | 15 | mV |
| I_d | Quiescent Current ON MODE | $V_I = 4.4 \text{ to } 20 \text{ V}$ $I_O = 0 \text{ mA}$ | | 0.6 | 1 | mA |
| | | $V_I = 4.4 \text{ to } 20 \text{ V}$ $I_O = 250 \text{ mA}$ | | 4 | 6 | |
| | OFF MODE | $V_I = 6 \text{ V}$ | | 50 | 100 | μA |
| SVR | Supply Voltage Rejection | $I_O = 5 \text{ mA}$ $V_I = 5.4 \pm 1 \text{ V}$ | $f = 120 \text{ Hz}$ | | 73 | dB |
| | | | $f = 1 \text{ KHz}$ | | 70 | |
| | | | $f = 10 \text{ KHz}$ | | 55 | |
| eN | Output Noise Voltage | $B = 10 \text{ Hz to } 100 \text{ KHz}$ | | 50 | | μV |
| V_d^* | Dropout Voltage | $I_O = 250 \text{ mA}$ | | 0.4 | 0.6 | V |
| | | $I_O = 250 \text{ mA}$ $T_J = -40 \text{ to } 125^\circ\text{C}$ | | | 0.8 | |
| V_{IL} | Control Input Logic Low | $T_A = -40 \text{ to } 125^\circ\text{C}$ | | | 0.8 | V |
| V_{IH} | Control Input Logic High | $T_A = -40 \text{ to } 125^\circ\text{C}$ | 2 | | | V |
| I_I | Control Input Current | $V_I = 6 \text{ V}$, $V_C = 6 \text{ V}$ | | 10 | | μA |
| C_O | Output Bypass Capacitance | $\text{ESR} = 0.1 \text{ to } 10 \Omega$ $I_O = 0 \text{ to } 250 \text{ mA}$ | 2 | 10 | | μF |

(*) For SO-8 package the maximum limit of load regulation and dropout is increased by 20 mV.

ELECTRICAL CHARACTERISTICS OF L4931Cxx35 (refer to the test circuits, $T_J = 25^\circ\text{C}$, $C_I = 0.1 \mu\text{F}$, $C_O = 2.2 \mu\text{F}$ unless otherwise specified).

| Symbol | Parameter | Test Conditions | Min. | Typ. | Max. | Unit |
|------------------|------------------------------|---|----------------------|------|------|---------------|
| V_O | Output Voltage | $I_O = 5 \text{ mA}$ $V_I = 5.5 \text{ V}$ | 3.43 | 3.5 | 3.57 | V |
| | | $I_O = 5 \text{ mA}$ $V_I = 5.5 \text{ V}$ $T_A = -25 \text{ to } 85^\circ\text{C}$ | 3.36 | | 3.64 | |
| V_I | Operating Input Voltage | $I_O = 250 \text{ mA}$ | | | 20 | V |
| I_{out} | Output Current Limit | | | 300 | | mA |
| ΔV_O | Line Regulation | $V_I = 4.3 \text{ to } 20 \text{ V}$ $I_O = 0.5 \text{ mA}$ | | 3 | 18 | mV |
| $\Delta V_O(^*)$ | Load Regulation | $V_I = 4.5 \text{ V}$ $I_O = 0.5 \text{ to } 250 \text{ mA}$ | | 3 | 18 | mV |
| I_d | Quiescent Current ON MODE | $V_I = 4.5 \text{ to } 20 \text{ V}$ $I_O = 0 \text{ mA}$ | | 0.6 | 1 | mA |
| | | $V_I = 4.5 \text{ to } 20 \text{ V}$ $I_O = 250 \text{ mA}$ | | 4 | 6 | |
| | OFF MODE | $V_I = 6 \text{ V}$ | | 50 | 100 | μA |
| SVR | Supply Voltage Rejection | $I_O = 5 \text{ mA}$ $V_I = 5.5 \pm 1 \text{ V}$ | $f = 120 \text{ Hz}$ | | 73 | dB |
| | | | $f = 1 \text{ KHz}$ | | 70 | |
| | | | $f = 10 \text{ KHz}$ | | 55 | |
| eN | Output Noise Voltage | $B = 10 \text{ Hz to } 100 \text{ KHz}$ | | 50 | | μV |
| $V_d(^*)$ | Dropout Voltage | $I_O = 250 \text{ mA}$ | | 0.4 | 0.6 | V |
| | | $I_O = 250 \text{ mA}$ $T_J = -40 \text{ to } 125^\circ\text{C}$ | | | 0.8 | |
| V_{IL} | Control Input Logic Low | $T_A = -40 \text{ to } 125^\circ\text{C}$ | | | 0.8 | V |
| V_{IH} | Control Input Logic High | $T_A = -40 \text{ to } 125^\circ\text{C}$ | 2 | | | V |
| I_I | Control Input Current | $V_I = 6 \text{ V}$, $V_C = 6 \text{ V}$ | | 10 | | μA |
| C_O | Output Bypass Capacitance | $\text{ESR} = 0.1 \text{ to } 10 \Omega$ $I_O = 0 \text{ to } 250 \text{ mA}$ | 2 | 10 | | μF |

(*) For SO-8 package the maximum limit of load regulation and dropout is increased by 20 mV.

ELECTRICAL CHARACTERISTICS OF L4931ABxx40 (refer to the test circuits, $T_J = 25^\circ\text{C}$, $C_I = 0.1 \mu\text{F}$, $C_O = 2.2 \mu\text{F}$ unless otherwise specified).

| Symbol | Parameter | Test Conditions | Min. | Typ. | Max. | Unit |
|------------------|------------------------------|---|----------------------|------|------|---------------|
| V_O | Output Voltage | $I_O = 5 \text{ mA}$ $V_I = 6 \text{ V}$ | 3.96 | 4 | 4.04 | V |
| | | $I_O = 5 \text{ mA}$ $V_I = 6 \text{ V}$ $T_A = -25 \text{ to } 85^\circ\text{C}$ | 3.92 | | 4.08 | |
| V_I | Operating Input Voltage | $I_O = 250 \text{ mA}$ | | | 20 | V |
| I_{out} | Output Current Limit | | | 300 | | mA |
| ΔV_O | Line Regulation | $V_I = 4.7 \text{ to } 20 \text{ V}$ $I_O = 0.5 \text{ mA}$ | | 3.5 | 17.5 | mV |
| $\Delta V_O(^*)$ | Load Regulation | $V_I = 4.9 \text{ V}$ $I_O = 0.5 \text{ to } 250 \text{ mA}$ | | 3 | 15 | mV |
| I_d | Quiescent Current ON MODE | $V_I = 4.9 \text{ to } 20 \text{ V}$ $I_O = 0 \text{ mA}$ | | 0.6 | 1 | mA |
| | | $V_I = 4.9 \text{ to } 20 \text{ V}$ $I_O = 250 \text{ mA}$ | | 4 | 6 | |
| | OFF MODE | $V_I = 6 \text{ V}$ | | 50 | 100 | μA |
| SVR | Supply Voltage Rejection | $I_O = 5 \text{ mA}$ $V_I = 5.9 \pm 1 \text{ V}$ | $f = 120 \text{ Hz}$ | | 72 | dB |
| | | | $f = 1 \text{ KHz}$ | | 69 | |
| | | | $f = 10 \text{ KHz}$ | | 55 | |
| eN | Output Noise Voltage | $B = 10 \text{ Hz to } 100 \text{ KHz}$ | | 50 | | μV |
| $V_d(^*)$ | Dropout Voltage | $I_O = 250 \text{ mA}$ | | 0.4 | 0.6 | V |
| | | $I_O = 250 \text{ mA}$ $T_J = -40 \text{ to } 125^\circ\text{C}$ | | | 0.8 | |
| V_{IL} | Control Input Logic Low | $T_A = -40 \text{ to } 125^\circ\text{C}$ | | | 0.8 | V |
| V_{IH} | Control Input Logic High | $T_A = -40 \text{ to } 125^\circ\text{C}$ | 2 | | | V |
| I_I | Control Input Current | $V_I = 6 \text{ V}$, $V_C = 6 \text{ V}$ | | 10 | | μA |
| C_O | Output Bypass Capacitance | $\text{ESR} = 0.1 \text{ to } 10 \Omega$ $I_O = 0 \text{ to } 250 \text{ mA}$ | 2 | 10 | | μF |

(*) For SO-8 package the maximum limit of load regulation and dropout is increased by 20 mV.



L4931 SERIES

ELECTRICAL CHARACTERISTICS OF L4931Cxx40 (refer to the test circuits, $T_J = 25^\circ\text{C}$, $C_I = 0.1 \mu\text{F}$, $C_O = 2.2 \mu\text{F}$ unless otherwise specified).

| Symbol | Parameter | Test Conditions | Min. | Typ. | Max. | Unit |
|------------------|------------------------------|---|----------------------|------|------|---------------|
| V_O | Output Voltage | $I_O = 5 \text{ mA}$ $V_I = 6 \text{ V}$ | 3.92 | 4 | 4.08 | V |
| | | $I_O = 5 \text{ mA}$ $V_I = 6 \text{ V}$ $T_A = -25 \text{ to } 85^\circ\text{C}$ | 3.84 | | 4.16 | |
| V_I | Operating Input Voltage | $I_O = 250 \text{ mA}$ | | | 20 | V |
| I_{out} | Output Current Limit | | | 300 | | mA |
| ΔV_O | Line Regulation | $V_I = 4.8 \text{ to } 20 \text{ V}$ $I_O = 0.5 \text{ mA}$ | | 3.5 | 21 | mV |
| $\Delta V_O(^*)$ | Load Regulation | $V_I = 5 \text{ V}$ $I_O = 0.5 \text{ to } 250 \text{ mA}$ | | 3 | 18 | mV |
| I_d | Quiescent Current ON MODE | $V_I = 5 \text{ to } 20 \text{ V}$ $I_O = 0 \text{ mA}$ | | 0.6 | 1 | mA |
| | | $V_I = 5 \text{ to } 20 \text{ V}$ $I_O = 250 \text{ mA}$ | | 4 | 6 | |
| | OFF MODE | $V_I = 6 \text{ V}$ | | 50 | 100 | μA |
| SVR | Supply Voltage Rejection | $I_O = 5 \text{ mA}$ $V_I = 6 \pm 1 \text{ V}$ | $f = 120 \text{ Hz}$ | | 72 | dB |
| | | | $f = 1 \text{ KHz}$ | | 69 | |
| | | | $f = 10 \text{ KHz}$ | | 55 | |
| eN | Output Noise Voltage | $B = 10 \text{ Hz to } 100 \text{ KHz}$ | | 50 | | μV |
| $V_d(^*)$ | Dropout Voltage | $I_O = 250 \text{ mA}$ | | 0.4 | 0.6 | V |
| | | $I_O = 250 \text{ mA}$ $T_J = -40 \text{ to } 125^\circ\text{C}$ | | | 0.8 | |
| V_{IL} | Control Input Logic Low | $T_A = -40 \text{ to } 125^\circ\text{C}$ | | | 0.8 | V |
| V_{IH} | Control Input Logic High | $T_A = -40 \text{ to } 125^\circ\text{C}$ | 2 | | | V |
| I_I | Control Input Current | $V_I = 6 \text{ V}$, $V_C = 6 \text{ V}$ | | 10 | | μA |
| C_O | Output Bypass Capacitance | $\text{ESR} = 0.1 \text{ to } 10 \Omega$ $I_O = 0 \text{ to } 250 \text{ mA}$ | 2 | 10 | | μF |

(*) For SO-8 package the maximum limit of load regulation and dropout is increased by 20 mV.

ELECTRICAL CHARACTERISTICS OF L4931ABxx45 (refer to the test circuits, $T_J = 25^\circ\text{C}$, $C_I = 0.1 \mu\text{F}$, $C_O = 2.2 \mu\text{F}$ unless otherwise specified).

| Symbol | Parameter | Test Conditions | Min. | Typ. | Max. | Unit |
|------------------|------------------------------|---|----------------------|------|-------|---------------|
| V_O | Output Voltage | $I_O = 5 \text{ mA}$ $V_I = 6.5 \text{ V}$ | 4.455 | 4.5 | 4.545 | V |
| | | $I_O = 5 \text{ mA}$ $V_I = 6.5 \text{ V}$ $T_A = -25 \text{ to } 85^\circ\text{C}$ | 4.41 | | 4.59 | |
| V_I | Operating Input Voltage | $I_O = 250 \text{ mA}$ | | | 20 | V |
| I_{out} | Output Current Limit | | | 300 | | mA |
| ΔV_O | Line Regulation | $V_I = 5.2 \text{ to } 20 \text{ V}$ $I_O = 0.5 \text{ mA}$ | | 3.5 | 17.5 | mV |
| $\Delta V_O(^*)$ | Load Regulation | $V_I = 5.4 \text{ V}$ $I_O = 0.5 \text{ to } 250 \text{ mA}$ | | 3 | 15 | mV |
| I_d | Quiescent Current ON MODE | $V_I = 5.4 \text{ to } 20 \text{ V}$ $I_O = 0 \text{ mA}$ | | 0.6 | 1 | mA |
| | | $V_I = 5.4 \text{ to } 20 \text{ V}$ $I_O = 250 \text{ mA}$ | | 4 | 6 | |
| | OFF MODE | $V_I = 6 \text{ V}$ | | 50 | 100 | μA |
| SVR | Supply Voltage Rejection | $I_O = 5 \text{ mA}$ $V_I = 6.4 \pm 1 \text{ V}$ | $f = 120 \text{ Hz}$ | | 71 | dB |
| | | | $f = 1 \text{ KHz}$ | | 68 | |
| | | | $f = 10 \text{ KHz}$ | | 55 | |
| eN | Output Noise Voltage | $B = 10 \text{ Hz to } 100 \text{ KHz}$ | | 50 | | μV |
| $V_d(^*)$ | Dropout Voltage | $I_O = 250 \text{ mA}$ | | 0.4 | 0.6 | V |
| | | $I_O = 250 \text{ mA}$ $T_J = -40 \text{ to } 125^\circ\text{C}$ | | | 0.8 | |
| V_{IL} | Control Input Logic Low | $T_A = -40 \text{ to } 125^\circ\text{C}$ | | | 0.8 | V |
| V_{IH} | Control Input Logic High | $T_A = -40 \text{ to } 125^\circ\text{C}$ | 2 | | | V |
| I_I | Control Input Current | $V_I = 6 \text{ V}$, $V_C = 6 \text{ V}$ | | 10 | | μA |
| C_O | Output Bypass Capacitance | $\text{ESR} = 0.1 \text{ to } 10 \Omega$ $I_O = 0 \text{ to } 250 \text{ mA}$ | 2 | 10 | | μF |

(*) For SO-8 package the maximum limit of load regulation and dropout is increased by 20 mV.

ELECTRICAL CHARACTERISTICS OF L4931Cxx45 (refer to the test circuits, $T_J = 25^\circ\text{C}$, $C_I = 0.1 \mu\text{F}$, $C_O = 2.2 \mu\text{F}$ unless otherwise specified).

| Symbol | Parameter | Test Conditions | Min. | Typ. | Max. | Unit |
|-----------------|------------------------------|---|----------------------|------|------|---------------|
| V_O | Output Voltage | $I_O = 5 \text{ mA}$ $V_I = 6.5 \text{ V}$ | 4.41 | 4.5 | 4.59 | V |
| | | $I_O = 5 \text{ mA}$ $V_I = 6.5 \text{ V}$ $T_A = -25 \text{ to } 85^\circ\text{C}$ | 4.32 | | 4.68 | |
| V_I | Operating Input Voltage | $I_O = 250 \text{ mA}$ | | | 20 | V |
| I_{out} | Output Current Limit | | | 300 | | mA |
| ΔV_O | Line Regulation | $V_I = 5.3 \text{ to } 20 \text{ V}$ $I_O = 0.5 \text{ mA}$ | | 3.5 | 21 | mV |
| $\Delta V_O(*)$ | Load Regulation | $V_I = 5.5 \text{ V}$ $I_O = 0.5 \text{ to } 250 \text{ mA}$ | | 3 | 18 | mV |
| I_d | Quiescent Current ON MODE | $V_I = 5.5 \text{ to } 20 \text{ V}$ $I_O = 0 \text{ mA}$ | | 0.6 | 1 | mA |
| | | $V_I = 5.5 \text{ to } 20 \text{ V}$ $I_O = 250 \text{ mA}$ | | 4 | 6 | |
| | OFF MODE | $V_I = 6 \text{ V}$ | | 50 | 100 | μA |
| SVR | Supply Voltage Rejection | $I_O = 5 \text{ mA}$ $V_I = 6.5 \pm 1 \text{ V}$ | $f = 120 \text{ Hz}$ | 71 | | dB |
| | | | $f = 1 \text{ KHz}$ | 68 | | |
| | | | $f = 10 \text{ KHz}$ | 55 | | |
| eN | Output Noise Voltage | $B = 10 \text{ Hz to } 100 \text{ KHz}$ | | 50 | | μV |
| $V_d(*)$ | Dropout Voltage | $I_O = 250 \text{ mA}$ | | 0.4 | 0.6 | V |
| | | $I_O = 250 \text{ mA}$ $T_J = -40 \text{ to } 125^\circ\text{C}$ | | | 0.8 | |
| V_{IL} | Control Input Logic Low | $T_A = -40 \text{ to } 125^\circ\text{C}$ | | | 0.8 | V |
| V_{IH} | Control Input Logic High | $T_A = -40 \text{ to } 125^\circ\text{C}$ | 2 | | | V |
| I_I | Control Input Current | $V_I = 6 \text{ V}$, $V_C = 6 \text{ V}$ | | 10 | | μA |
| C_O | Output Bypass Capacitance | $\text{ESR} = 0.1 \text{ to } 10 \Omega$ $I_O = 0 \text{ to } 250 \text{ mA}$ | 2 | 10 | | μF |

(*) For SO-8 package the maximum limit of load regulation and dropout is increased by 20 mV.

ELECTRICAL CHARACTERISTICS OF L4931ABxx47 (refer to the test circuits, $T_J = 25^\circ\text{C}$, $C_I = 0.1 \mu\text{F}$, $C_O = 2.2 \mu\text{F}$ unless otherwise specified).

| Symbol | Parameter | Test Conditions | Min. | Typ. | Max. | Unit |
|-----------------|------------------------------|---|----------------------|------|-------|---------------|
| V_O | Output Voltage | $I_O = 5 \text{ mA}$ $V_I = 6.7 \text{ V}$ | 4.653 | 4.7 | 4.747 | V |
| | | $I_O = 5 \text{ mA}$ $V_I = 6.7 \text{ V}$ $T_A = -25 \text{ to } 85^\circ\text{C}$ | 4.606 | | 4.794 | |
| V_I | Operating Input Voltage | $I_O = 250 \text{ mA}$ | | | 20 | V |
| I_{out} | Output Current Limit | | | 300 | | mA |
| ΔV_O | Line Regulation | $V_I = 5.4 \text{ to } 20 \text{ V}$ $I_O = 0.5 \text{ mA}$ | | 3.5 | 17.5 | mV |
| $\Delta V_O(*)$ | Load Regulation | $V_I = 5.6 \text{ V}$ $I_O = 0.5 \text{ to } 250 \text{ mA}$ | | 3 | 15 | mV |
| I_d | Quiescent Current ON MODE | $V_I = 5.6 \text{ to } 20 \text{ V}$ $I_O = 0 \text{ mA}$ | | 0.6 | 1 | mA |
| | | $V_I = 5.6 \text{ to } 20 \text{ V}$ $I_O = 250 \text{ mA}$ | | 4 | 6 | |
| | OFF MODE | $V_I = 6 \text{ V}$ | | 50 | 100 | μA |
| SVR | Supply Voltage Rejection | $I_O = 5 \text{ mA}$ $V_I = 6.6 \pm 1 \text{ V}$ | $f = 120 \text{ Hz}$ | 71 | | dB |
| | | | $f = 1 \text{ KHz}$ | 68 | | |
| | | | $f = 10 \text{ KHz}$ | 55 | | |
| eN | Output Noise Voltage | $B = 10 \text{ Hz to } 100 \text{ KHz}$ | | 50 | | μV |
| $V_d(*)$ | Dropout Voltage | $I_O = 250 \text{ mA}$ | | 0.4 | 0.6 | V |
| | | $I_O = 250 \text{ mA}$ $T_J = -40 \text{ to } 125^\circ\text{C}$ | | | 0.8 | |
| V_{IL} | Control Input Logic Low | $T_A = -40 \text{ to } 125^\circ\text{C}$ | | | 0.8 | V |
| V_{IH} | Control Input Logic High | $T_A = -40 \text{ to } 125^\circ\text{C}$ | 2 | | | V |
| I_I | Control Input Current | $V_I = 6 \text{ V}$, $V_C = 6 \text{ V}$ | | 10 | | μA |
| C_O | Output Bypass Capacitance | $\text{ESR} = 0.1 \text{ to } 10 \Omega$ $I_O = 0 \text{ to } 250 \text{ mA}$ | 2 | 10 | | μF |

(*) For SO-8 package the maximum limit of load regulation and dropout is increased by 20 mV.



L4931 SERIES

ELECTRICAL CHARACTERISTICS OF L4931Cxx47 (refer to the test circuits, $T_J = 25^\circ\text{C}$, $C_I = 0.1 \mu\text{F}$, $C_O = 2.2 \mu\text{F}$ unless otherwise specified).

| Symbol | Parameter | Test Conditions | Min. | Typ. | Max. | Unit |
|------------------|------------------------------|---|----------------------|------|-------|---------------|
| V_O | Output Voltage | $I_O = 5 \text{ mA}$ $V_I = 6.7 \text{ V}$ | 4.606 | 4.7 | 4.794 | V |
| | | $I_O = 5 \text{ mA}$ $V_I = 6.7 \text{ V}$ $T_A = -25 \text{ to } 85^\circ\text{C}$ | 4.512 | | 4.888 | |
| V_I | Operating Input Voltage | $I_O = 250 \text{ mA}$ | | | 20 | V |
| I_{out} | Output Current Limit | | | 300 | | mA |
| ΔV_O | Line Regulation | $V_I = 5.5 \text{ to } 20 \text{ V}$ $I_O = 0.5 \text{ mA}$ | | 3.5 | 21 | mV |
| $\Delta V_O(^*)$ | Load Regulation | $V_I = 5.7 \text{ V}$ $I_O = 0.5 \text{ to } 250 \text{ mA}$ | | 3 | 18 | mV |
| I_d | Quiescent Current ON MODE | $V_I = 5.7 \text{ to } 20 \text{ V}$ $I_O = 0 \text{ mA}$ | | 0.6 | 1 | mA |
| | | $V_I = 5.7 \text{ to } 20 \text{ V}$ $I_O = 250 \text{ mA}$ | | 4 | 6 | |
| | OFF MODE | $V_I = 6 \text{ V}$ | | 50 | 100 | μA |
| SVR | Supply Voltage Rejection | $I_O = 5 \text{ mA}$ $V_I = 6.7 \pm 1 \text{ V}$ | $f = 120 \text{ Hz}$ | 71 | | dB |
| | | | $f = 1 \text{ KHz}$ | 68 | | |
| | | | $f = 10 \text{ KHz}$ | 55 | | |
| eN | Output Noise Voltage | $B = 10 \text{ Hz to } 100 \text{ KHz}$ | | 50 | | μV |
| $V_d(^*)$ | Dropout Voltage | $I_O = 250 \text{ mA}$ | | 0.4 | 0.6 | V |
| | | $I_O = 250 \text{ mA}$ $T_J = -40 \text{ to } 125^\circ\text{C}$ | | | 0.8 | |
| V_{IL} | Control Input Logic Low | $T_A = -40 \text{ to } 125^\circ\text{C}$ | | | 0.8 | V |
| V_{IH} | Control Input Logic High | $T_A = -40 \text{ to } 125^\circ\text{C}$ | 2 | | | V |
| I_I | Control Input Current | $V_I = 6 \text{ V}$, $V_C = 6 \text{ V}$ | | 10 | | μA |
| C_O | Output Bypass Capacitance | $\text{ESR} = 0.1 \text{ to } 10 \Omega$ $I_O = 0 \text{ to } 250 \text{ mA}$ | 2 | 10 | | μF |

(*) For SO-8 package the maximum limit of load regulation and dropout is increased by 20 mV.

ELECTRICAL CHARACTERISTICS OF L4931ABxx50 (refer to the test circuits, $T_J = 25^\circ\text{C}$, $C_I = 0.1 \mu\text{F}$, $C_O = 2.2 \mu\text{F}$ unless otherwise specified).

| Symbol | Parameter | Test Conditions | Min. | Typ. | Max. | Unit |
|------------------|------------------------------|---|----------------------|------|------|---------------|
| V_O | Output Voltage | $I_O = 5 \text{ mA}$ $V_I = 7 \text{ V}$ | 4.95 | 5 | 5.05 | V |
| | | $I_O = 5 \text{ mA}$ $V_I = 7 \text{ V}$ $T_A = -25 \text{ to } 85^\circ\text{C}$ | 4.9 | | 5.1 | |
| V_I | Operating Input Voltage | $I_O = 250 \text{ mA}$ | | | 20 | V |
| I_{out} | Output Current Limit | | | 300 | | mA |
| ΔV_O | Line Regulation | $V_I = 5.8 \text{ to } 20 \text{ V}$ $I_O = 0.5 \text{ mA}$ | | 3.5 | 17.5 | mV |
| $\Delta V_O(^*)$ | Load Regulation | $V_I = 6 \text{ V}$ $I_O = 0.5 \text{ to } 250 \text{ mA}$ | | 3 | 15 | mV |
| I_d | Quiescent Current ON MODE | $V_I = 6 \text{ to } 20 \text{ V}$ $I_O = 0 \text{ mA}$ | | 0.6 | 1 | mA |
| | | $V_I = 6 \text{ to } 20 \text{ V}$ $I_O = 250 \text{ mA}$ | | 4 | 6 | |
| | OFF MODE | $V_I = 6 \text{ V}$ | | 50 | 100 | μA |
| SVR | Supply Voltage Rejection | $I_O = 5 \text{ mA}$ $V_I = 7 \pm 1 \text{ V}$ | $f = 120 \text{ Hz}$ | 70 | | dB |
| | | | $f = 1 \text{ KHz}$ | 67 | | |
| | | | $f = 10 \text{ KHz}$ | 55 | | |
| eN | Output Noise Voltage | $B = 10 \text{ Hz to } 100 \text{ KHz}$ | | 50 | | μV |
| $V_d(^*)$ | Dropout Voltage | $I_O = 250 \text{ mA}$ | | 0.4 | 0.6 | V |
| | | $I_O = 250 \text{ mA}$ $T_J = -40 \text{ to } 125^\circ\text{C}$ | | | 0.8 | |
| V_{IL} | Control Input Logic Low | $T_A = -40 \text{ to } 125^\circ\text{C}$ | | | 0.8 | V |
| V_{IH} | Control Input Logic High | $T_A = -40 \text{ to } 125^\circ\text{C}$ | 2 | | | V |
| I_I | Control Input Current | $V_I = 6 \text{ V}$, $V_C = 6 \text{ V}$ | | 10 | | μA |
| C_O | Output Bypass Capacitance | $\text{ESR} = 0.1 \text{ to } 10 \Omega$ $I_O = 0 \text{ to } 250 \text{ mA}$ | 2 | 10 | | μF |

(*) For SO-8 package the maximum limit of load regulation and dropout is increased by 20 mV.

ELECTRICAL CHARACTERISTICS OF L4931Cxx50 (refer to the test circuits, $T_J = 25^\circ\text{C}$, $C_I = 0.1 \mu\text{F}$, $C_O = 2.2 \mu\text{F}$ unless otherwise specified).

| Symbol | Parameter | Test Conditions | Min. | Typ. | Max. | Unit |
|------------------|------------------------------|---|----------------------|------|------|---------------|
| V_O | Output Voltage | $I_O = 5 \text{ mA}$ $V_I = 7 \text{ V}$ | 4.9 | 5 | 5.1 | V |
| | | $I_O = 5 \text{ mA}$ $V_I = 7 \text{ V}$ $T_A = -25 \text{ to } 85^\circ\text{C}$ | 4.8 | | 5.2 | |
| V_I | Operating Input Voltage | $I_O = 250 \text{ mA}$ | | | 20 | V |
| I_{out} | Output Current Limit | | | 300 | | mA |
| ΔV_O | Line Regulation | $V_I = 5.8 \text{ to } 20 \text{ V}$ $I_O = 0.5 \text{ mA}$ | | 3.5 | 17.5 | mV |
| $\Delta V_O(^*)$ | Load Regulation | $V_I = 6 \text{ V}$ $I_O = 0.5 \text{ to } 250 \text{ mA}$ | | 3 | 15 | mV |
| I_d | Quiescent Current ON MODE | $V_I = 6 \text{ to } 20 \text{ V}$ $I_O = 0 \text{ mA}$ | | 0.6 | 1 | mA |
| | | $V_I = 6 \text{ to } 20 \text{ V}$ $I_O = 250 \text{ mA}$ | | 4 | 6 | |
| | OFF MODE | $V_I = 6 \text{ V}$ | | 50 | 100 | μA |
| SVR | Supply Voltage Rejection | $I_O = 5 \text{ mA}$ $V_I = 7 \pm 1 \text{ V}$ | $f = 120 \text{ Hz}$ | 70 | | dB |
| | | | $f = 1 \text{ KHz}$ | 67 | | |
| | | | $f = 10 \text{ KHz}$ | 55 | | |
| eN | Output Noise Voltage | $B = 10 \text{ Hz to } 100 \text{ KHz}$ | | 50 | | μV |
| $V_d(^*)$ | Dropout Voltage | $I_O = 250 \text{ mA}$ | | 0.4 | 0.6 | V |
| | | $I_O = 250 \text{ mA}$ $T_J = -40 \text{ to } 125^\circ\text{C}$ | | | 0.8 | |
| V_{IL} | Control Input Logic Low | $T_A = -40 \text{ to } 125^\circ\text{C}$ | | | 0.8 | V |
| V_{IH} | Control Input Logic High | $T_A = -40 \text{ to } 125^\circ\text{C}$ | 2 | | | V |
| I_I | Control Input Current | $V_I = 6 \text{ V}$, $V_C = 6 \text{ V}$ | | 10 | | μA |
| C_O | Output Bypass Capacitance | $\text{ESR} = 0.1 \text{ to } 10 \Omega$ $I_O = 0 \text{ to } 250 \text{ mA}$ | 2 | 10 | | μF |

(*) For SO-8 package the maximum limit of load regulation and dropout is increased by 20 mV.

ELECTRICAL CHARACTERISTICS OF L4931ABxx52 (refer to the test circuits, $T_J = 25^\circ\text{C}$, $C_I = 0.1 \mu\text{F}$, $C_O = 2.2 \mu\text{F}$ unless otherwise specified).

| Symbol | Parameter | Test Conditions | Min. | Typ. | Max. | Unit |
|------------------|------------------------------|---|----------------------|------|-------|---------------|
| V_O | Output Voltage | $I_O = 5 \text{ mA}$ $V_I = 7.2 \text{ V}$ | 5.148 | 5.2 | 5.252 | V |
| | | $I_O = 5 \text{ mA}$ $V_I = 7.2 \text{ V}$ $T_A = -25 \text{ to } 85^\circ\text{C}$ | 5.096 | | 5.304 | |
| V_I | Operating Input Voltage | $I_O = 250 \text{ mA}$ | | | 20 | V |
| I_{out} | Output Current Limit | | | 300 | | mA |
| ΔV_O | Line Regulation | $V_I = 6 \text{ to } 20 \text{ V}$ $I_O = 0.5 \text{ mA}$ | | 3.5 | 17.5 | mV |
| $\Delta V_O(^*)$ | Load Regulation | $V_I = 6.2 \text{ V}$ $I_O = 0.5 \text{ to } 250 \text{ mA}$ | | 3 | 15 | mV |
| I_d | Quiescent Current ON MODE | $V_I = 6.2 \text{ to } 20 \text{ V}$ $I_O = 0 \text{ mA}$ | | 0.6 | 1 | mA |
| | | $V_I = 6.2 \text{ to } 20 \text{ V}$ $I_O = 250 \text{ mA}$ | | 4 | 6 | |
| | OFF MODE | $V_I = 6 \text{ V}$ | | 50 | 100 | μA |
| SVR | Supply Voltage Rejection | $I_O = 5 \text{ mA}$ $V_I = 7.2 \pm 1 \text{ V}$ | $f = 120 \text{ Hz}$ | 70 | | dB |
| | | | $f = 1 \text{ KHz}$ | 67 | | |
| | | | $f = 10 \text{ KHz}$ | 55 | | |
| eN | Output Noise Voltage | $B = 10 \text{ Hz to } 100 \text{ KHz}$ | | 50 | | μV |
| $V_d(^*)$ | Dropout Voltage | $I_O = 250 \text{ mA}$ | | 0.4 | 0.6 | V |
| | | $I_O = 250 \text{ mA}$ $T_J = -40 \text{ to } 125^\circ\text{C}$ | | | 0.8 | |
| V_{IL} | Control Input Logic Low | $T_A = -40 \text{ to } 125^\circ\text{C}$ | | | 0.8 | V |
| V_{IH} | Control Input Logic High | $T_A = -40 \text{ to } 125^\circ\text{C}$ | 2 | | | V |
| I_I | Control Input Current | $V_I = 6 \text{ V}$, $V_C = 6 \text{ V}$ | | 10 | | μA |
| C_O | Output Bypass Capacitance | $\text{ESR} = 0.1 \text{ to } 10 \Omega$ $I_O = 0 \text{ to } 250 \text{ mA}$ | 2 | 10 | | μF |

(*) For SO-8 package the maximum limit of load regulation and dropout is increased by 20 mV.



勝特力材料 886-3-5753170
 勝特力电子(上海) 86-21-54151736
 勝特力电子(深圳) 86-755-83298787
[Http://www.100y.com.tw](http://www.100y.com.tw)

L4931 SERIES

ELECTRICAL CHARACTERISTICS OF L4931Cxx52 (refer to the test circuits, $T_J = 25^\circ\text{C}$, $C_I = 0.1 \mu\text{F}$, $C_O = 2.2 \mu\text{F}$ unless otherwise specified).

| Symbol | Parameter | Test Conditions | Min. | Typ. | Max. | Unit |
|------------------|------------------------------|---|----------------------|------|-------|---------------|
| V_O | Output Voltage | $I_O = 5 \text{ mA}$ $V_I = 7.2 \text{ V}$ | 5.096 | 5.2 | 5.304 | V |
| | | $I_O = 5 \text{ mA}$ $V_I = 7.2 \text{ V}$ $T_A = -25 \text{ to } 85^\circ\text{C}$ | 4.992 | | 5.408 | |
| V_I | Operating Input Voltage | $I_O = 250 \text{ mA}$ | | | 20 | V |
| I_{out} | Output Current Limit | | | 300 | | mA |
| ΔV_O | Line Regulation | $V_I = 6 \text{ to } 20 \text{ V}$ $I_O = 0.5 \text{ mA}$ | | 3.5 | 21 | mV |
| $\Delta V_O(^*)$ | Load Regulation | $V_I = 6.2 \text{ V}$ $I_O = 0.5 \text{ to } 250 \text{ mA}$ | | 3 | 18 | mV |
| I_d | Quiescent Current ON MODE | $V_I = 6.2 \text{ to } 20 \text{ V}$ $I_O = 0 \text{ mA}$ | | 0.6 | 1 | mA |
| | | $V_I = 6.2 \text{ to } 20 \text{ V}$ $I_O = 250 \text{ mA}$ | | 4 | 6 | |
| | OFF MODE | $V_I = 6 \text{ V}$ | | 50 | 100 | μA |
| SVR | Supply Voltage Rejection | $I_O = 5 \text{ mA}$ $V_I = 7.2 \pm 1 \text{ V}$ | $f = 120 \text{ Hz}$ | 70 | | dB |
| | | | $f = 1 \text{ KHz}$ | 67 | | |
| | | | $f = 10 \text{ KHz}$ | 55 | | |
| eN | Output Noise Voltage | $B = 10 \text{ Hz to } 100 \text{ KHz}$ | | 50 | | μV |
| $V_d(^*)$ | Dropout Voltage | $I_O = 250 \text{ mA}$ | | 0.4 | 0.6 | V |
| | | $I_O = 250 \text{ mA}$ $T_J = -40 \text{ to } 125^\circ\text{C}$ | | | 0.8 | |
| V_{IL} | Control Input Logic Low | $T_A = -40 \text{ to } 125^\circ\text{C}$ | | | 0.8 | V |
| V_{IH} | Control Input Logic High | $T_A = -40 \text{ to } 125^\circ\text{C}$ | 2 | | | V |
| I_I | Control Input Current | $V_I = 6 \text{ V}$, $V_C = 6 \text{ V}$ | | 10 | | μA |
| C_O | Output Bypass Capacitance | $\text{ESR} = 0.1 \text{ to } 10 \Omega$ $I_O = 0 \text{ to } 250 \text{ mA}$ | 2 | 10 | | μF |

(*) For SO-8 package the maximum limit of load regulation and dropout is increased by 20 mV.

ELECTRICAL CHARACTERISTICS OF L4931ABxx55 (refer to the test circuits, $T_J = 25^\circ\text{C}$, $C_I = 0.1 \mu\text{F}$, $C_O = 2.2 \mu\text{F}$ unless otherwise specified).

| Symbol | Parameter | Test Conditions | Min. | Typ. | Max. | Unit |
|------------------|------------------------------|---|----------------------|------|-------|---------------|
| V_O | Output Voltage | $I_O = 5 \text{ mA}$ $V_I = 7.5 \text{ V}$ | 5.445 | 5.5 | 5.555 | V |
| | | $I_O = 5 \text{ mA}$ $V_I = 7.5 \text{ V}$ $T_A = -25 \text{ to } 85^\circ\text{C}$ | 5.39 | | 5.61 | |
| V_I | Operating Input Voltage | $I_O = 250 \text{ mA}$ | | | 20 | V |
| I_{out} | Output Current Limit | | | 300 | | mA |
| ΔV_O | Line Regulation | $V_I = 6.3 \text{ to } 20 \text{ V}$ $I_O = 0.5 \text{ mA}$ | | 3.5 | 17.5 | mV |
| $\Delta V_O(^*)$ | Load Regulation | $V_I = 6.5 \text{ V}$ $I_O = 0.5 \text{ to } 250 \text{ mA}$ | | 3 | 15 | mV |
| I_d | Quiescent Current ON MODE | $V_I = 6.5 \text{ to } 20 \text{ V}$ $I_O = 0 \text{ mA}$ | | 0.6 | 1 | mA |
| | | $V_I = 6.5 \text{ to } 20 \text{ V}$ $I_O = 250 \text{ mA}$ | | 4 | 6 | |
| | OFF MODE | $V_I = 6 \text{ V}$ | | 50 | 100 | μA |
| SVR | Supply Voltage Rejection | $I_O = 5 \text{ mA}$ $V_I = 7.5 \pm 1 \text{ V}$ | $f = 120 \text{ Hz}$ | 70 | | dB |
| | | | $f = 1 \text{ KHz}$ | 67 | | |
| | | | $f = 10 \text{ KHz}$ | 55 | | |
| eN | Output Noise Voltage | $B = 10 \text{ Hz to } 100 \text{ KHz}$ | | 50 | | μV |
| $V_d(^*)$ | Dropout Voltage | $I_O = 250 \text{ mA}$ | | 0.4 | 0.6 | V |
| | | $I_O = 250 \text{ mA}$ $T_J = -40 \text{ to } 125^\circ\text{C}$ | | | 0.8 | |
| V_{IL} | Control Input Logic Low | $T_A = -40 \text{ to } 125^\circ\text{C}$ | | | 0.8 | V |
| V_{IH} | Control Input Logic High | $T_A = -40 \text{ to } 125^\circ\text{C}$ | 2 | | | V |
| I_I | Control Input Current | $V_I = 6 \text{ V}$, $V_C = 6 \text{ V}$ | | 10 | | μA |
| C_O | Output Bypass Capacitance | $\text{ESR} = 0.1 \text{ to } 10 \Omega$ $I_O = 0 \text{ to } 250 \text{ mA}$ | 2 | 10 | | μF |

(*) For SO-8 package the maximum limit of load regulation and dropout is increased by 20 mV.

ELECTRICAL CHARACTERISTICS OF L4931Cxx55 (refer to the test circuits, $T_J = 25^\circ\text{C}$, $C_I = 0.1 \mu\text{F}$, $C_O = 2.2 \mu\text{F}$ unless otherwise specified).

| Symbol | Parameter | Test Conditions | Min. | Typ. | Max. | Unit |
|------------------|------------------------------|---|----------------------|------|------|---------------|
| V_O | Output Voltage | $I_O = 5 \text{ mA}$ $V_I = 7.5 \text{ V}$ | 5.39 | 5.5 | 5.61 | V |
| | | $I_O = 5 \text{ mA}$ $V_I = 7.5 \text{ V}$ $T_A = -25 \text{ to } 85^\circ\text{C}$ | 5.28 | | 5.72 | |
| V_I | Operating Input Voltage | $I_O = 250 \text{ mA}$ | | | 20 | V |
| I_{out} | Output Current Limit | | | 300 | | mA |
| ΔV_O | Line Regulation | $V_I = 6.3 \text{ to } 20 \text{ V}$ $I_O = 0.5 \text{ mA}$ | | 3.5 | 21 | mV |
| $\Delta V_O(^*)$ | Load Regulation | $V_I = 6.5 \text{ V}$ $I_O = 0.5 \text{ to } 250 \text{ mA}$ | | 3 | 18 | mV |
| I_d | Quiescent Current ON MODE | $V_I = 6.5 \text{ to } 20 \text{ V}$ $I_O = 0 \text{ mA}$ | | 0.6 | 1 | mA |
| | | $V_I = 6.5 \text{ to } 20 \text{ V}$ $I_O = 250 \text{ mA}$ | | 4 | 6 | |
| | OFF MODE | $V_I = 6 \text{ V}$ | | 50 | 100 | μA |
| SVR | Supply Voltage Rejection | $I_O = 5 \text{ mA}$ $V_I = 7.5 \pm 1 \text{ V}$ | $f = 120 \text{ Hz}$ | 70 | | dB |
| | | | $f = 1 \text{ KHz}$ | 67 | | |
| | | | $f = 10 \text{ KHz}$ | 55 | | |
| eN | Output Noise Voltage | $B = 10 \text{ Hz to } 100 \text{ KHz}$ | | 50 | | μV |
| $V_d(^*)$ | Dropout Voltage | $I_O = 250 \text{ mA}$ | | 0.4 | 0.6 | V |
| | | $I_O = 250 \text{ mA}$ $T_J = -40 \text{ to } 125^\circ\text{C}$ | | | 0.8 | |
| V_{IL} | Control Input Logic Low | $T_A = -40 \text{ to } 125^\circ\text{C}$ | | | 0.8 | V |
| V_{IH} | Control Input Logic High | $T_A = -40 \text{ to } 125^\circ\text{C}$ | 2 | | | V |
| I_I | Control Input Current | $V_I = 6 \text{ V}$, $V_C = 6 \text{ V}$ | | 10 | | μA |
| C_O | Output Bypass Capacitance | $\text{ESR} = 0.1 \text{ to } 10 \Omega$ $I_O = 0 \text{ to } 250 \text{ mA}$ | 2 | 10 | | μF |

(*) For SO-8 package the maximum limit of load regulation and dropout is increased by 20 mV.

ELECTRICAL CHARACTERISTICS OF L4931ABxx60 (refer to the test circuits, $T_J = 25^\circ\text{C}$, $C_I = 0.1 \mu\text{F}$, $C_O = 2.2 \mu\text{F}$ unless otherwise specified).

| Symbol | Parameter | Test Conditions | Min. | Typ. | Max. | Unit |
|------------------|------------------------------|---|----------------------|------|------|---------------|
| V_O | Output Voltage | $I_O = 5 \text{ mA}$ $V_I = 8 \text{ V}$ | 5.94 | 6 | 6.06 | V |
| | | $I_O = 5 \text{ mA}$ $V_I = 8 \text{ V}$ $T_A = -25 \text{ to } 85^\circ\text{C}$ | 5.88 | | 6.12 | |
| V_I | Operating Input Voltage | $I_O = 250 \text{ mA}$ | | | 20 | V |
| I_{out} | Output Current Limit | | | 300 | | mA |
| ΔV_O | Line Regulation | $V_I = 6.8 \text{ to } 20 \text{ V}$ $I_O = 0.5 \text{ mA}$ | | 4 | 20 | mV |
| $\Delta V_O(^*)$ | Load Regulation | $V_I = 7 \text{ V}$ $I_O = 0.5 \text{ to } 250 \text{ mA}$ | | 3 | 15 | mV |
| I_d | Quiescent Current ON MODE | $V_I = 7 \text{ to } 20 \text{ V}$ $I_O = 0 \text{ mA}$ | | 0.8 | 1.6 | mA |
| | | $V_I = 7 \text{ to } 20 \text{ V}$ $I_O = 250 \text{ mA}$ | | 4.5 | 7 | |
| | OFF MODE | $V_I = 6 \text{ V}$ | | 70 | 140 | μA |
| SVR | Supply Voltage Rejection | $I_O = 5 \text{ mA}$ $V_I = 8 \pm 1 \text{ V}$ | $f = 120 \text{ Hz}$ | 69 | | dB |
| | | | $f = 1 \text{ KHz}$ | 66 | | |
| | | | $f = 10 \text{ KHz}$ | 55 | | |
| eN | Output Noise Voltage | $B = 10 \text{ Hz to } 100 \text{ KHz}$ | | 50 | | μV |
| $V_d(^*)$ | Dropout Voltage | $I_O = 250 \text{ mA}$ | | 0.4 | 0.6 | V |
| | | $I_O = 250 \text{ mA}$ $T_J = -40 \text{ to } 125^\circ\text{C}$ | | | 0.8 | |
| V_{IL} | Control Input Logic Low | $T_A = -40 \text{ to } 125^\circ\text{C}$ | | | 0.8 | V |
| V_{IH} | Control Input Logic High | $T_A = -40 \text{ to } 125^\circ\text{C}$ | 2 | | | V |
| I_I | Control Input Current | $V_I = 6 \text{ V}$, $V_C = 6 \text{ V}$ | | 10 | | μA |
| C_O | Output Bypass Capacitance | $\text{ESR} = 0.1 \text{ to } 10 \Omega$ $I_O = 0 \text{ to } 250 \text{ mA}$ | 2 | 10 | | μF |

(*) For SO-8 package the maximum limit of load regulation and dropout is increased by 20 mV.



勝特力材料 886-3-5753170
 勝特力电子(上海) 86-21-54151736
 勝特力电子(深圳) 86-755-83298787
[Http://www.100y.com.tw](http://www.100y.com.tw)

L4931 SERIES

ELECTRICAL CHARACTERISTICS OF L4931Cxx60 (refer to the test circuits, $T_J = 25^\circ\text{C}$, $C_I = 0.1 \mu\text{F}$, $C_O = 2.2 \mu\text{F}$ unless otherwise specified).

| Symbol | Parameter | Test Conditions | Min. | Typ. | Max. | Unit |
|------------------|------------------------------|---|----------------------|------|------|---------------|
| V_O | Output Voltage | $I_O = 5 \text{ mA}$ $V_I = 8 \text{ V}$ | 5.88 | 6 | 6.12 | V |
| | | $I_O = 5 \text{ mA}$ $V_I = 8 \text{ V}$ $T_A = -25 \text{ to } 85^\circ\text{C}$ | 5.76 | | 6.24 | |
| V_I | Operating Input Voltage | $I_O = 250 \text{ mA}$ | | | 20 | V |
| I_{out} | Output Current Limit | | | 300 | | mA |
| ΔV_O | Line Regulation | $V_I = 6.8 \text{ to } 20 \text{ V}$ $I_O = 0.5 \text{ mA}$ | | 4 | 24 | mV |
| $\Delta V_O(^*)$ | Load Regulation | $V_I = 7 \text{ V}$ $I_O = 0.5 \text{ to } 250 \text{ mA}$ | | 3 | 18 | mV |
| I_d | Quiescent Current ON MODE | $V_I = 7 \text{ to } 20 \text{ V}$ $I_O = 0 \text{ mA}$ | | 0.8 | 1.6 | mA |
| | | $V_I = 7 \text{ to } 20 \text{ V}$ $I_O = 250 \text{ mA}$ | | 4.5 | 7 | |
| | OFF MODE | $V_I = 6 \text{ V}$ | | 70 | 140 | μA |
| SVR | Supply Voltage Rejection | $I_O = 5 \text{ mA}$ $V_I = 8 \pm 1 \text{ V}$ | $f = 120 \text{ Hz}$ | 69 | | dB |
| | | | $f = 1 \text{ KHz}$ | 66 | | |
| | | | $f = 10 \text{ KHz}$ | 55 | | |
| eN | Output Noise Voltage | $B = 10 \text{ Hz to } 100 \text{ KHz}$ | | 50 | | μV |
| $V_d(^*)$ | Dropout Voltage | $I_O = 250 \text{ mA}$ | | 0.4 | 0.6 | V |
| | | $I_O = 250 \text{ mA}$ $T_J = -40 \text{ to } 125^\circ\text{C}$ | | | 0.8 | |
| V_{IL} | Control Input Logic Low | $T_A = -40 \text{ to } 125^\circ\text{C}$ | | | 0.8 | V |
| V_{IH} | Control Input Logic High | $T_A = -40 \text{ to } 125^\circ\text{C}$ | 2 | | | V |
| I_I | Control Input Current | $V_I = 6 \text{ V}$, $V_C = 6 \text{ V}$ | | 10 | | μA |
| C_O | Output Bypass Capacitance | $\text{ESR} = 0.1 \text{ to } 10 \Omega$ $I_O = 0 \text{ to } 250 \text{ mA}$ | 2 | 10 | | μF |

(*) For SO-8 package the maximum limit of load regulation and dropout is increased by 20 mV.

ELECTRICAL CHARACTERISTICS OF L4931ABxx80 (refer to the test circuits, $T_J = 25^\circ\text{C}$, $C_I = 0.1 \mu\text{F}$, $C_O = 2.2 \mu\text{F}$ unless otherwise specified).

| Symbol | Parameter | Test Conditions | Min. | Typ. | Max. | Unit |
|------------------|------------------------------|--|----------------------|------|------|---------------|
| V_O | Output Voltage | $I_O = 5 \text{ mA}$ $V_I = 10 \text{ V}$ | 7.92 | 8 | 8.08 | V |
| | | $I_O = 5 \text{ mA}$ $V_I = 10 \text{ V}$ $T_A = -25 \text{ to } 85^\circ\text{C}$ | 7.84 | | 8.16 | |
| V_I | Operating Input Voltage | $I_O = 250 \text{ mA}$ | | | 20 | V |
| I_{out} | Output Current Limit | | | 300 | | mA |
| ΔV_O | Line Regulation | $V_I = 8.8 \text{ to } 20 \text{ V}$ $I_O = 0.5 \text{ mA}$ | | 4 | 20 | mV |
| $\Delta V_O(^*)$ | Load Regulation | $V_I = 9 \text{ V}$ $I_O = 0.5 \text{ to } 250 \text{ mA}$ | | 3 | 15 | mV |
| I_d | Quiescent Current ON MODE | $V_I = 9 \text{ to } 20 \text{ V}$ $I_O = 0 \text{ mA}$ | | 0.8 | 1.6 | mA |
| | | $V_I = 9 \text{ to } 20 \text{ V}$ $I_O = 250 \text{ mA}$ | | 4.5 | 7 | |
| | OFF MODE | $V_I = 6 \text{ V}$ | | 70 | 140 | μA |
| SVR | Supply Voltage Rejection | $I_O = 5 \text{ mA}$ $V_I = 10 \pm 1 \text{ V}$ | $f = 120 \text{ Hz}$ | 67 | | dB |
| | | | $f = 1 \text{ KHz}$ | 64 | | |
| | | | $f = 10 \text{ KHz}$ | 55 | | |
| eN | Output Noise Voltage | $B = 10 \text{ Hz to } 100 \text{ KHz}$ | | 50 | | μV |
| $V_d(^*)$ | Dropout Voltage | $I_O = 250 \text{ mA}$ | | 0.4 | 0.6 | V |
| | | $I_O = 250 \text{ mA}$ $T_J = -40 \text{ to } 125^\circ\text{C}$ | | | 0.8 | |
| V_{IL} | Control Input Logic Low | $T_A = -40 \text{ to } 125^\circ\text{C}$ | | | 0.8 | V |
| V_{IH} | Control Input Logic High | $T_A = -40 \text{ to } 125^\circ\text{C}$ | 2 | | | V |
| I_I | Control Input Current | $V_I = 6 \text{ V}$, $V_C = 6 \text{ V}$ | | 10 | | μA |
| C_O | Output Bypass Capacitance | $\text{ESR} = 0.1 \text{ to } 10 \Omega$ $I_O = 0 \text{ to } 250 \text{ mA}$ | 2 | 10 | | μF |

(*) For SO-8 package the maximum limit of load regulation and dropout is increased by 20 mV.

ELECTRICAL CHARACTERISTICS OF L4931Cxx80 (refer to the test circuits, $T_J = 25^\circ\text{C}$, $C_I = 0.1 \mu\text{F}$, $C_O = 2.2 \mu\text{F}$ unless otherwise specified).

| Symbol | Parameter | Test Conditions | Min. | Typ. | Max. | Unit |
|------------------|------------------------------|--|----------------------|------|------|---------------|
| V_O | Output Voltage | $I_O = 5 \text{ mA}$ $V_I = 10 \text{ V}$ | 7.84 | 8 | 8.16 | V |
| | | $I_O = 5 \text{ mA}$ $V_I = 10 \text{ V}$ $T_A = -25 \text{ to } 85^\circ\text{C}$ | 7.68 | | 8.32 | |
| V_I | Operating Input Voltage | $I_O = 250 \text{ mA}$ | | | 20 | V |
| I_{out} | Output Current Limit | | | 300 | | mA |
| ΔV_O | Line Regulation | $V_I = 8.9 \text{ to } 20 \text{ V}$ $I_O = 0.5 \text{ mA}$ | | 4 | 24 | mV |
| $\Delta V_O(^*)$ | Load Regulation | $V_I = 9.1 \text{ V}$ $I_O = 0.5 \text{ to } 250 \text{ mA}$ | | 3 | 18 | mV |
| I_d | Quiescent Current ON MODE | $V_I = 9.1 \text{ to } 20 \text{ V}$ $I_O = 0 \text{ mA}$ | | 0.8 | 1.6 | mA |
| | | $V_I = 9.1 \text{ to } 20 \text{ V}$ $I_O = 250 \text{ mA}$ | | 4.5 | 7 | |
| | OFF MODE | $V_I = 6 \text{ V}$ | | 70 | 140 | μA |
| SVR | Supply Voltage Rejection | $I_O = 5 \text{ mA}$ $V_I = 10.1 \pm 1 \text{ V}$ | $f = 120 \text{ Hz}$ | | 67 | dB |
| | | | $f = 1 \text{ KHz}$ | | 64 | |
| | | | $f = 10 \text{ KHz}$ | | 55 | |
| eN | Output Noise Voltage | $B = 10 \text{ Hz to } 100 \text{ KHz}$ | | 50 | | μV |
| $V_d(^*)$ | Dropout Voltage | $I_O = 250 \text{ mA}$ | | 0.4 | 0.6 | V |
| | | $I_O = 250 \text{ mA}$ $T_J = -40 \text{ to } 125^\circ\text{C}$ | | | 0.8 | |
| V_{IL} | Control Input Logic Low | $T_A = -40 \text{ to } 125^\circ\text{C}$ | | | 0.8 | V |
| V_{IH} | Control Input Logic High | $T_A = -40 \text{ to } 125^\circ\text{C}$ | 2 | | | V |
| I_I | Control Input Current | $V_I = 6 \text{ V}$, $V_C = 6 \text{ V}$ | | 10 | | μA |
| C_O | Output Bypass Capacitance | $\text{ESR} = 0.1 \text{ to } 10 \Omega$ $I_O = 0 \text{ to } 250 \text{ mA}$ | 2 | 10 | | μF |

(*) For SO-8 package the maximum limit of load regulation and dropout is increased by 20 mV.

ELECTRICAL CHARACTERISTICS OF L4931ABxx120 (refer to the test circuits, $T_J = 25^\circ\text{C}$, $C_I = 0.1 \mu\text{F}$, $C_O = 2.2 \mu\text{F}$ unless otherwise specified).

| Symbol | Parameter | Test Conditions | Min. | Typ. | Max. | Unit |
|------------------|------------------------------|--|----------------------|------|-------|---------------|
| V_O | Output Voltage | $I_O = 5 \text{ mA}$ $V_I = 14 \text{ V}$ | 11.88 | 12 | 12.12 | V |
| | | $I_O = 5 \text{ mA}$ $V_I = 14 \text{ V}$ $T_A = -25 \text{ to } 85^\circ\text{C}$ | 11.76 | | 12.24 | |
| V_I | Operating Input Voltage | $I_O = 250 \text{ mA}$ | | | 20 | V |
| I_{out} | Output Current Limit | | | 300 | | mA |
| ΔV_O | Line Regulation | $V_I = 12.8 \text{ to } 20 \text{ V}$ $I_O = 0.5 \text{ mA}$ | | 4 | 20 | mV |
| $\Delta V_O(^*)$ | Load Regulation | $V_I = 13 \text{ V}$ $I_O = 0.5 \text{ to } 250 \text{ mA}$ | | 3 | 15 | mV |
| I_d | Quiescent Current ON MODE | $V_I = 13 \text{ to } 20 \text{ V}$ $I_O = 0 \text{ mA}$ | | 0.8 | 1.6 | mA |
| | | $V_I = 13 \text{ to } 20 \text{ V}$ $I_O = 250 \text{ mA}$ | | 4.5 | 7 | |
| | OFF MODE | $V_I = 6 \text{ V}$ | | 90 | 180 | μA |
| SVR | Supply Voltage Rejection | $I_O = 5 \text{ mA}$ $V_I = 14 \pm 1 \text{ V}$ | $f = 120 \text{ Hz}$ | | 64 | dB |
| | | | $f = 1 \text{ KHz}$ | | 61 | |
| | | | $f = 10 \text{ KHz}$ | | 55 | |
| eN | Output Noise Voltage | $B = 10 \text{ Hz to } 100 \text{ KHz}$ | | 50 | | μV |
| $V_d(^*)$ | Dropout Voltage | $I_O = 250 \text{ mA}$ | | 0.4 | 0.6 | V |
| | | $I_O = 250 \text{ mA}$ $T_J = -40 \text{ to } 125^\circ\text{C}$ | | | 0.8 | |
| V_{IL} | Control Input Logic Low | $T_A = -40 \text{ to } 125^\circ\text{C}$ | | | 0.8 | V |
| V_{IH} | Control Input Logic High | $T_A = -40 \text{ to } 125^\circ\text{C}$ | 2 | | | V |
| I_I | Control Input Current | $V_I = 6 \text{ V}$, $V_C = 6 \text{ V}$ | | 10 | | μA |
| C_O | Output Bypass Capacitance | $\text{ESR} = 0.1 \text{ to } 10 \Omega$ $I_O = 0 \text{ to } 250 \text{ mA}$ | 2 | 10 | | μF |

(*) For SO-8 package the maximum limit of load regulation and dropout is increased by 20 mV.



L4931 SERIES

ELECTRICAL CHARACTERISTICS OF L4931Cxx120 (refer to the test circuits, $T_J = 25^\circ\text{C}$, $C_I = 0.1 \mu\text{F}$, $C_O = 2.2 \mu\text{F}$ unless otherwise specified).

| Symbol | Parameter | Test Conditions | Min. | Typ. | Max. | Unit |
|------------------|------------------------------|--|----------------------|------|-------|---------------|
| V_O | Output Voltage | $I_O = 5 \text{ mA}$ $V_I = 14 \text{ V}$ | 11.76 | 12 | 12.24 | V |
| | | $I_O = 5 \text{ mA}$ $V_I = 14 \text{ V}$ $T_A = -25 \text{ to } 85^\circ\text{C}$ | 11.52 | | 12.48 | |
| V_I | Operating Input Voltage | $I_O = 250 \text{ mA}$ | | | 20 | V |
| I_{out} | Output Current Limit | | | 300 | | mA |
| ΔV_O | Line Regulation | $V_I = 12.9 \text{ to } 20 \text{ V}$ $I_O = 0.5 \text{ mA}$ | | 4 | 24 | mV |
| $\Delta V_O(^*)$ | Load Regulation | $V_I = 13.1 \text{ V}$ $I_O = 0.5 \text{ to } 250 \text{ mA}$ | | 3 | 18 | mV |
| I_d | Quiescent Current ON MODE | $V_I = 13.1 \text{ to } 20 \text{ V}$ $I_O = 0 \text{ mA}$ | | 0.8 | 1.6 | mA |
| | | $V_I = 13.1 \text{ to } 20 \text{ V}$ $I_O = 250 \text{ mA}$ | | 4.5 | 7 | |
| | OFF MODE | $V_I = 6 \text{ V}$ | | 90 | 180 | μA |
| SVR | Supply Voltage Rejection | $I_O = 5 \text{ mA}$ $V_I = 14.1 \pm 1 \text{ V}$ | $f = 120 \text{ Hz}$ | 64 | | dB |
| | | | $f = 1 \text{ KHz}$ | 61 | | |
| | | | $f = 10 \text{ KHz}$ | 55 | | |
| eN | Output Noise Voltage | $B = 10 \text{ Hz to } 100 \text{ KHz}$ | | 50 | | μV |
| $V_d(^*)$ | Dropout Voltage | $I_O = 250 \text{ mA}$ | | 0.4 | 0.6 | V |
| | | $I_O = 250 \text{ mA}$ $T_J = -40 \text{ to } 125^\circ\text{C}$ | | | 0.8 | |
| V_{IL} | Control Input Logic Low | $T_A = -40 \text{ to } 125^\circ\text{C}$ | | | 0.8 | V |
| V_{IH} | Control Input Logic High | $T_A = -40 \text{ to } 125^\circ\text{C}$ | 2 | | | V |
| I_I | Control Input Current | $V_I = 6 \text{ V}$, $V_C = 6 \text{ V}$ | | 10 | | μA |
| C_O | Output Bypass Capacitance | $\text{ESR} = 0.1 \text{ to } 10 \Omega$ $I_O = 0 \text{ to } 250 \text{ mA}$ | 2 | 10 | | μF |

(*) For SO-8 package the maximum limit of load regulation and dropout is increased by 20 mV.

勝特力材料 886-3-5753170
 勝特力电子(上海) 86-21-54151736
 勝特力电子(深圳) 86-755-83298787
[Http://www.100y.com.tw](http://www.100y.com.tw)

Figure 1 : Supply Current vs Output Current

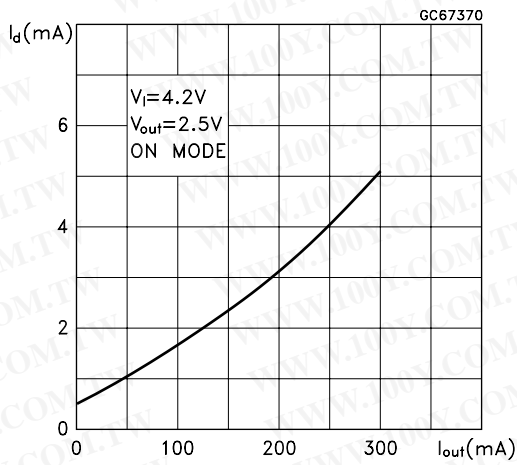


Figure 4 : Supply Current vs Temperature

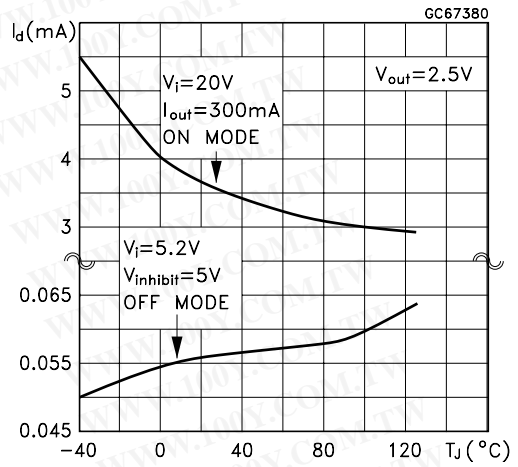


Figure 2 : Dropout Voltage vs Temperature

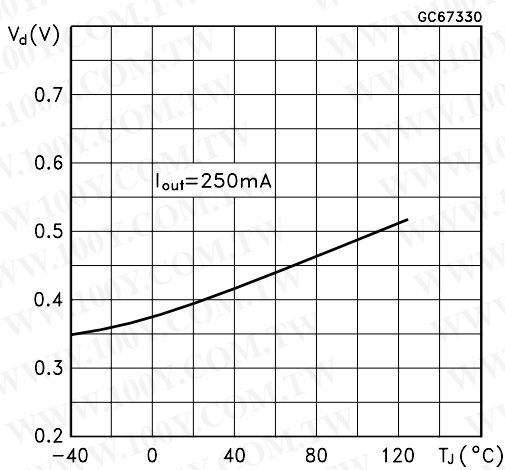


Figure 5 : Short Circuit Current vs Dropout Voltage

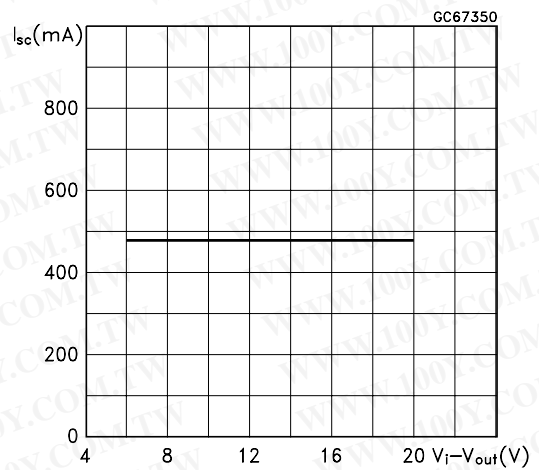


Figure 3 : Supply Current vs Input Voltage

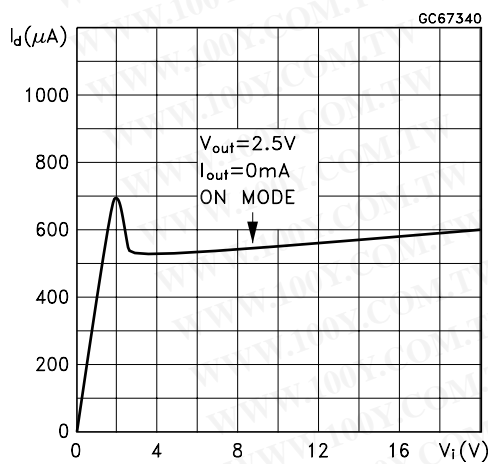
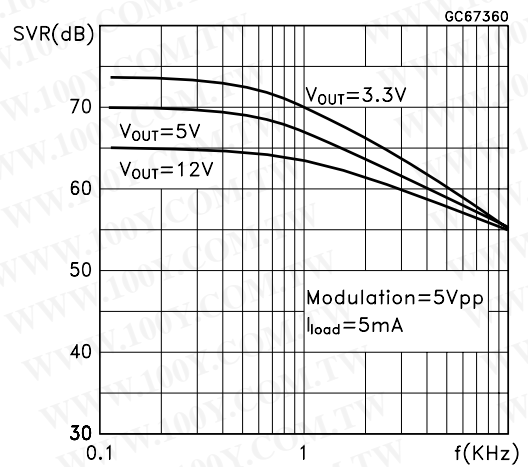


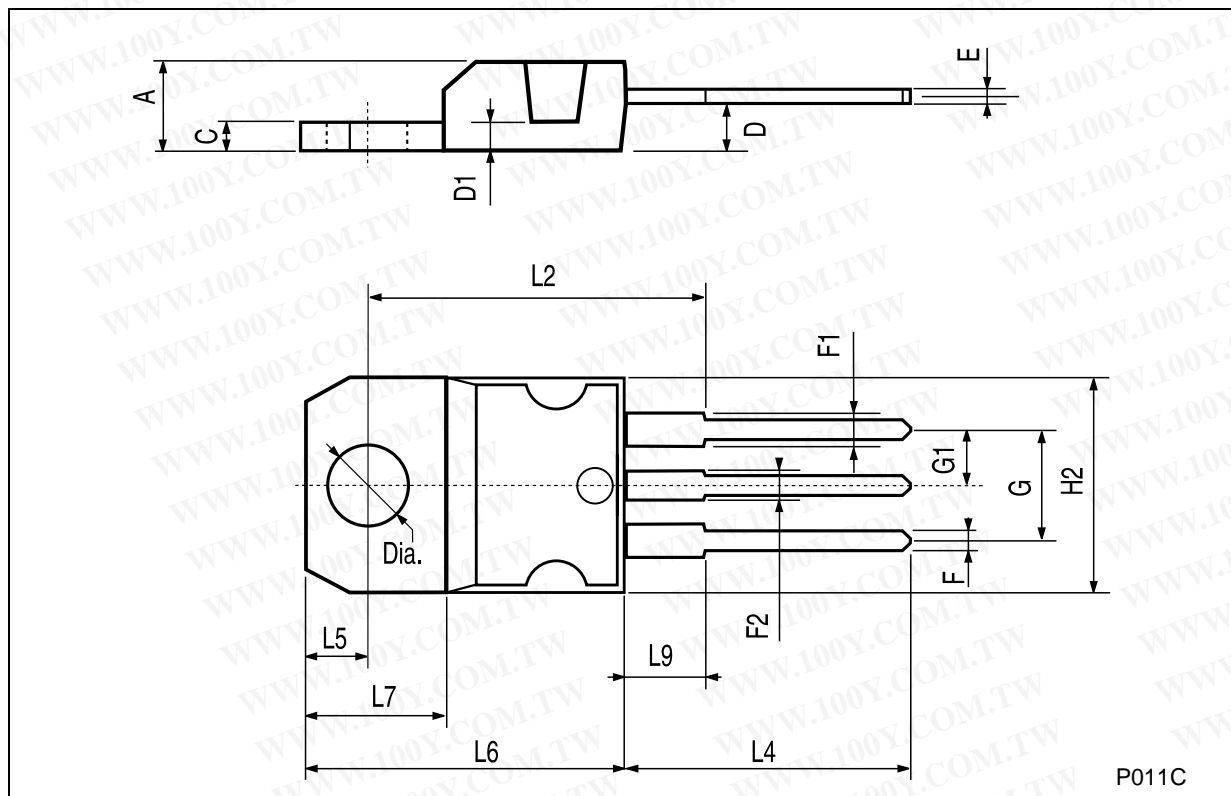
Figure 6 : S.V.R. vs Input Voltage Signal Frequency



L4931 SERIES

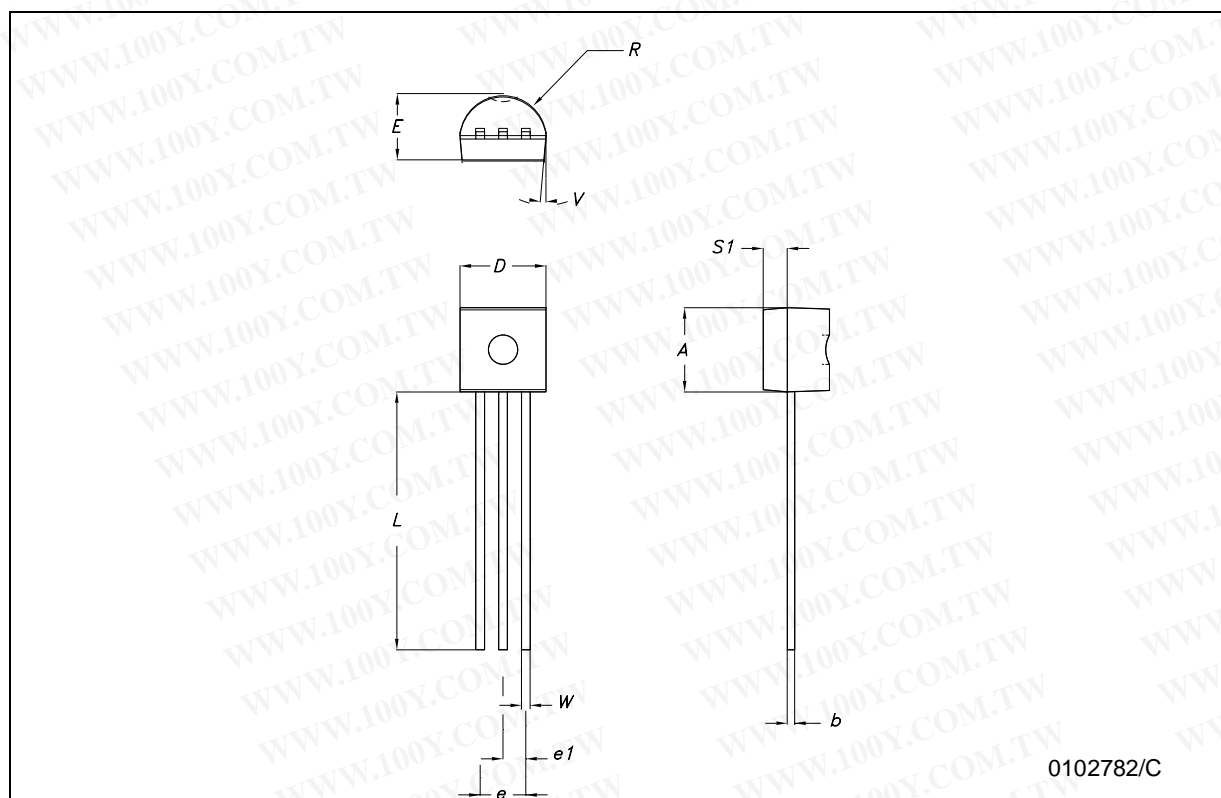
TO-220 MECHANICAL DATA

| DIM. | mm. | | | inch | | |
|------|-------|------|-------|-------|-------|-------|
| | MIN. | TYP. | MAX. | MIN. | TYP. | MAX. |
| A | 4.40 | | 4.60 | 0.173 | | 0.181 |
| C | 1.23 | | 1.32 | 0.048 | | 0.051 |
| D | 2.40 | | 2.72 | 0.094 | | 0.107 |
| D1 | | 1.27 | | | 0.050 | |
| E | 0.49 | | 0.70 | 0.019 | | 0.027 |
| F | 0.61 | | 0.88 | 0.024 | | 0.034 |
| F1 | 1.14 | | 1.70 | 0.044 | | 0.067 |
| F2 | 1.14 | | 1.70 | 0.044 | | 0.067 |
| G | 4.95 | | 5.15 | 0.194 | | 0.203 |
| G1 | 2.4 | | 2.7 | 0.094 | | 0.106 |
| H2 | 10.0 | | 10.40 | 0.393 | | 0.409 |
| L2 | | 16.4 | | | 0.645 | |
| L4 | 13.0 | | 14.0 | 0.511 | | 0.551 |
| L5 | 2.65 | | 2.95 | 0.104 | | 0.116 |
| L6 | 15.25 | | 15.75 | 0.600 | | 0.620 |
| L7 | 6.2 | | 6.6 | 0.244 | | 0.260 |
| L9 | 3.5 | | 3.93 | 0.137 | | 0.154 |
| DIA. | 3.75 | | 3.85 | 0.147 | | 0.151 |



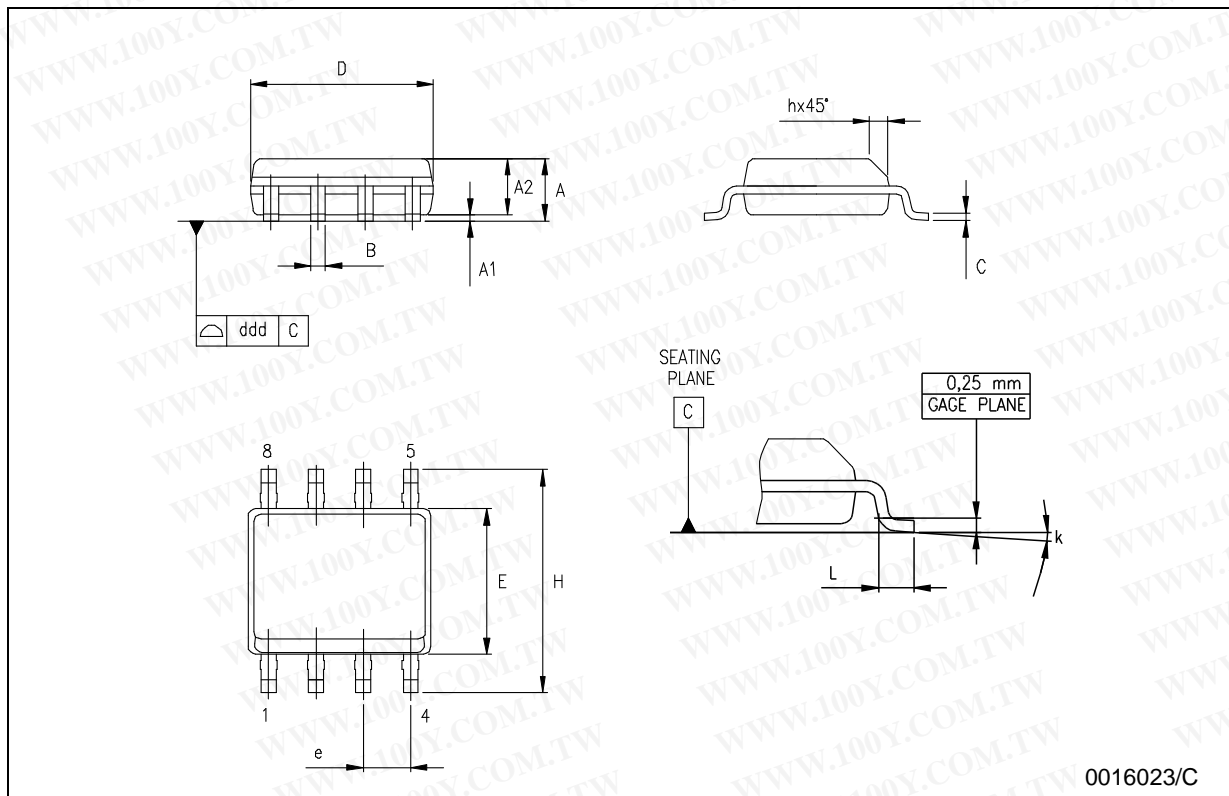
TO-92 MECHANICA DATA

| DIM. | mm. | | | mils | | |
|------|------|-----|-------|-------|------|-------|
| | MIN. | TYP | MAX. | MIN. | TYP. | MAX. |
| A | 4.32 | | 4.95 | 170.1 | | 194.9 |
| b | 0.36 | | 0.51 | 14.2 | | 20.1 |
| D | 4.45 | | 4.95 | 175.2 | | 194.9 |
| E | 3.30 | | 3.94 | 129.9 | | 155.1 |
| e | 2.41 | | 2.67 | 94.9 | | 105.1 |
| e1 | 1.14 | | 1.40 | 44.9 | | 55.1 |
| L | 12.7 | | 15.49 | 500.0 | | 609.8 |
| R | 2.16 | | 2.41 | 85.0 | | 94.9 |
| S1 | 0.92 | | 1.52 | 36.2 | | 59.8 |
| W | 0.41 | | 0.56 | 16.1 | | 22.0 |



SO-8 MECHANICAL DATA

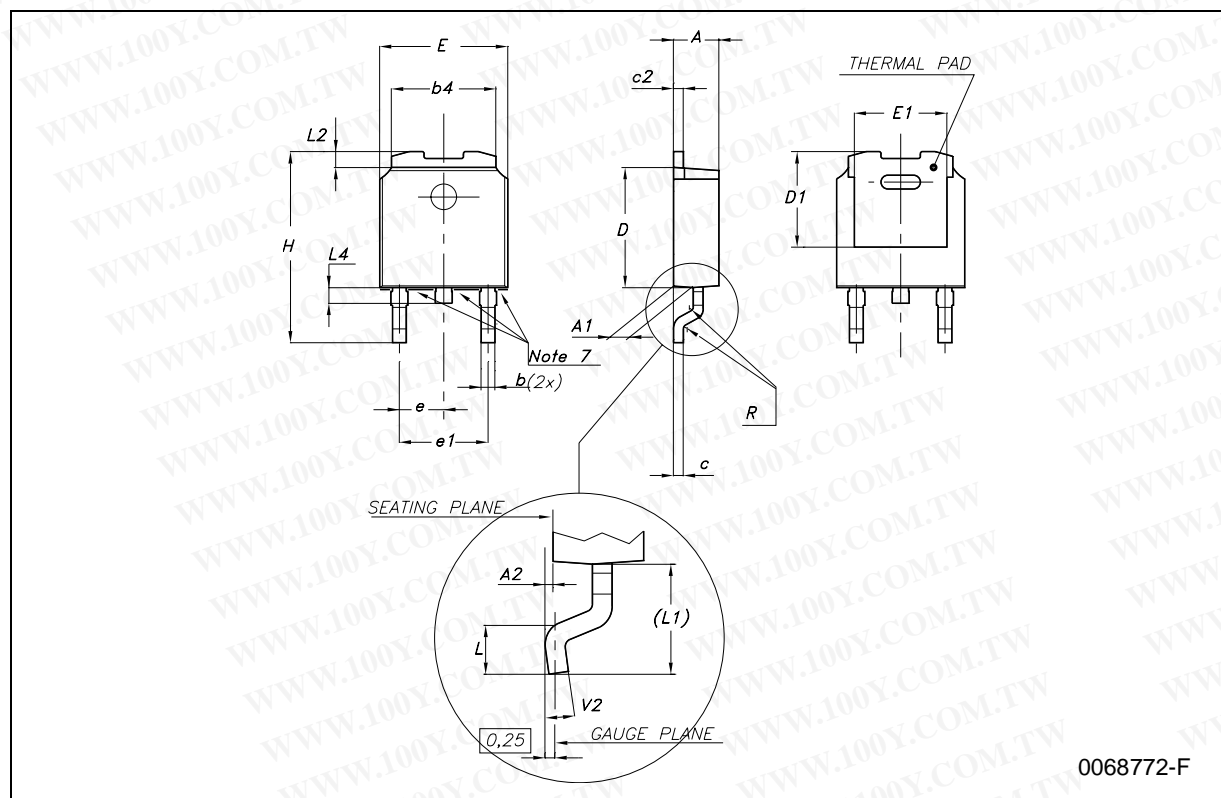
| DIM. | mm. | | | inch | | |
|------|-----------|------|------|-------|-------|-------|
| | MIN. | TYP. | MAX. | MIN. | TYP. | MAX. |
| A | 1.35 | | 1.75 | 0.053 | | 0.069 |
| A1 | 0.10 | | 0.25 | 0.04 | | 0.010 |
| A2 | 1.10 | | 1.65 | 0.043 | | 0.065 |
| B | 0.33 | | 0.51 | 0.013 | | 0.020 |
| C | 0.19 | | 0.25 | 0.007 | | 0.010 |
| D | 4.80 | | 5.00 | 0.189 | | 0.197 |
| E | 3.80 | | 4.00 | 0.150 | | 0.157 |
| e | | 1.27 | | | 0.050 | |
| H | 5.80 | | 6.20 | 0.228 | | 0.244 |
| h | 0.25 | | 0.50 | 0.010 | | 0.020 |
| L | 0.40 | | 1.27 | 0.016 | | 0.050 |
| k | 8° (max.) | | | | | |
| ddd | | | 0.1 | | | 0.04 |



0016023/C

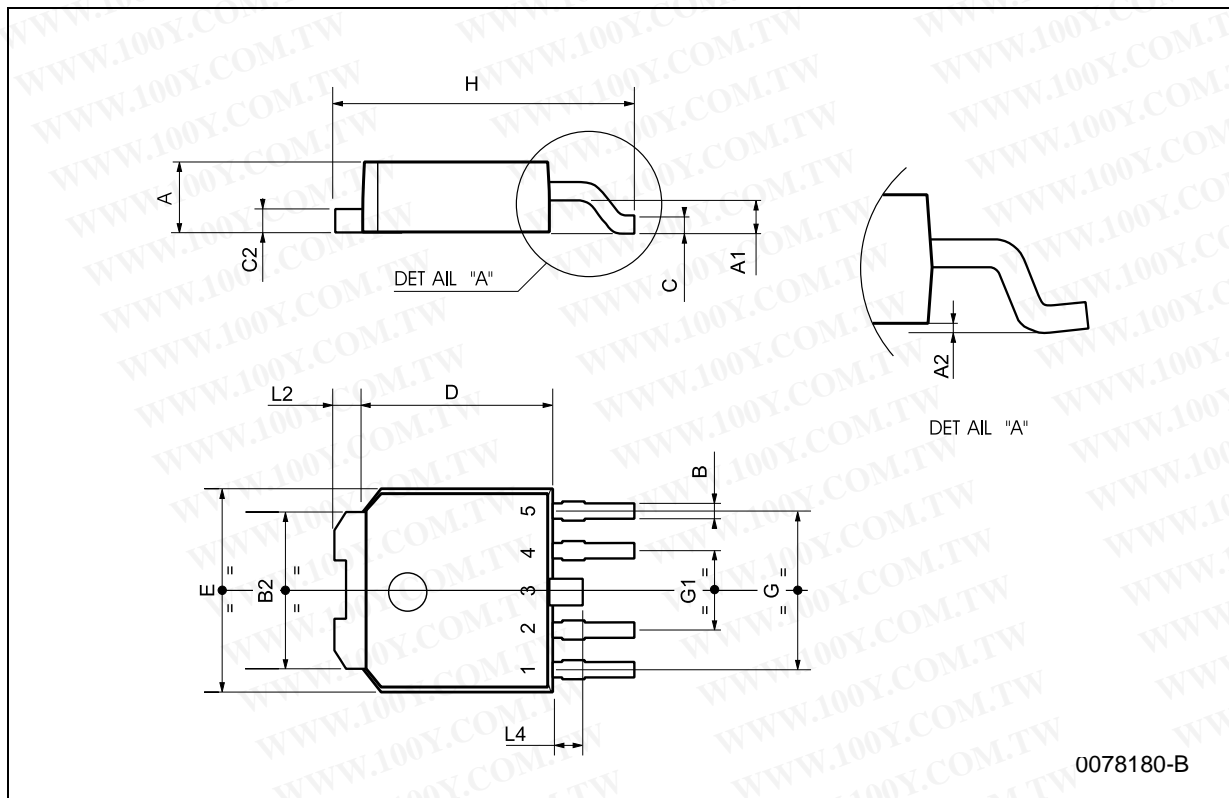
DPAK MECHANICAL DATA

| DIM. | mm. | | | inch | | |
|------|------|------|------|-------|-------|-------|
| | MIN. | TYP. | MAX. | MIN. | TYP. | MAX. |
| A | 2.2 | | 2.4 | 0.086 | | 0.094 |
| A1 | 0.9 | | 1.1 | 0.035 | | 0.043 |
| A2 | 0.03 | | 0.23 | 0.001 | | 0.009 |
| B | 0.64 | | 0.9 | 0.025 | | 0.035 |
| B2 | 5.2 | | 5.4 | 0.204 | | 0.212 |
| C | 0.45 | | 0.6 | 0.017 | | 0.023 |
| C2 | 0.48 | | 0.6 | 0.019 | | 0.023 |
| D | 6 | | 6.2 | 0.236 | | 0.244 |
| D1 | | 5.1 | | | 0.200 | |
| E | 6.4 | | 6.6 | 0.252 | | 0.260 |
| E1 | | 4.7 | | | 0.185 | |
| e | | 2.28 | | | 0.090 | |
| e1 | 4.4 | | 4.6 | 0.173 | | 0.181 |
| H | 9.35 | | 10.1 | 0.368 | | 0.397 |
| L | | 1 | | | 0.039 | |
| (L1) | | 2.8 | | | 0.110 | |
| L2 | | 0.8 | | | 0.031 | |
| L4 | 0.6 | | 1 | 0.023 | | 0.039 |



PPAK MECHANICAL DATA

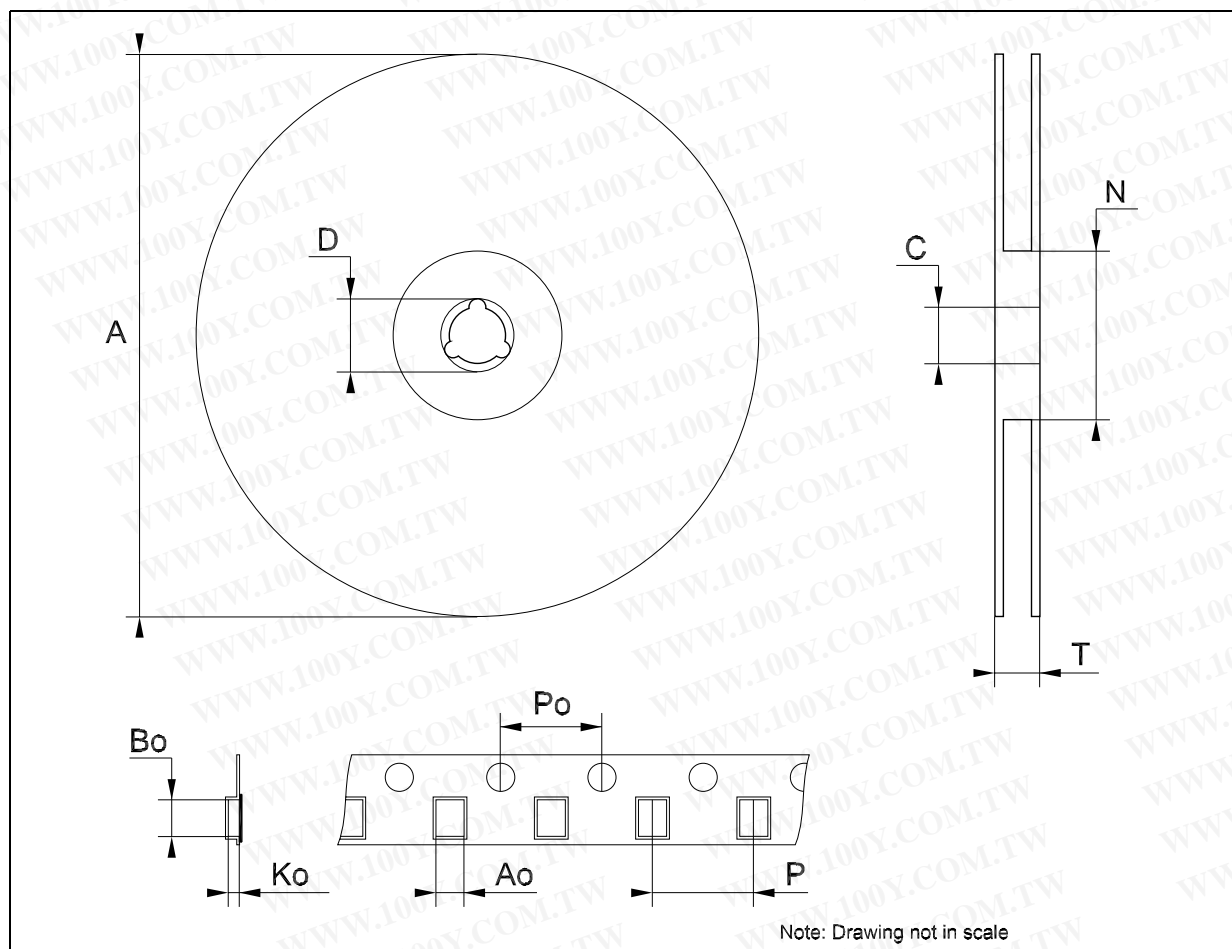
| DIM. | mm. | | | inch | | |
|------|------|-----|------|-------|-------|-------|
| | MIN. | TYP | MAX. | MIN. | TYP. | MAX. |
| A | 2.2 | | 2.4 | 0.086 | | 0.094 |
| A1 | 0.9 | | 1.1 | 0.035 | | 0.043 |
| A2 | 0.03 | | 0.23 | 0.001 | | 0.009 |
| B | 0.4 | | 0.6 | 0.015 | | 0.023 |
| B2 | 5.2 | | 5.4 | 0.204 | | 0.212 |
| C | 0.45 | | 0.6 | 0.017 | | 0.023 |
| C2 | 0.48 | | 0.6 | 0.019 | | 0.023 |
| D | 6 | | 6.2 | 0.236 | | 0.244 |
| E | 6.4 | | 6.6 | 0.252 | | 0.260 |
| G | 4.9 | | 5.25 | 0.193 | | 0.206 |
| G1 | 2.38 | | 2.7 | 0.093 | | 0.106 |
| H | 9.35 | | 10.1 | 0.368 | | 0.397 |
| L2 | | 0.8 | | | 0.031 | |
| L4 | 0.6 | | 1 | 0.023 | | 0.039 |



0078180-B

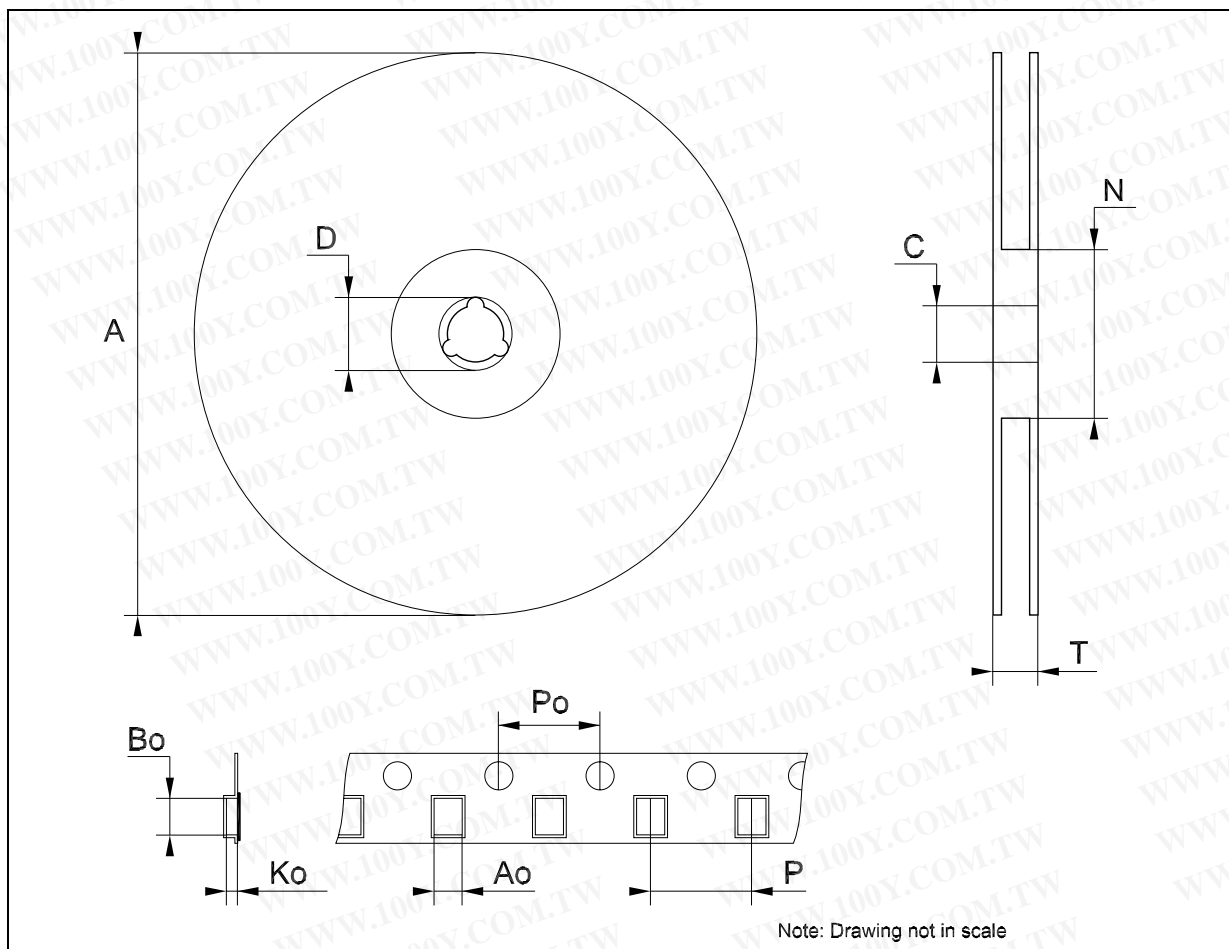
Tape & Reel DPAK-PPAK MECHANICAL DATA

| DIM. | mm. | | | inch | | |
|------|-------|-------|-------|-------|-------|--------|
| | MIN. | TYP | MAX. | MIN. | TYP. | MAX. |
| A | | | 330 | | | 12.992 |
| C | 12.8 | 13.0 | 13.2 | 0.504 | 0.512 | 0.519 |
| D | 20.2 | | | 0.795 | | |
| N | 60 | | | 2.362 | | |
| T | | | 22.4 | | | 0.882 |
| Ao | 6.80 | 6.90 | 7.00 | 0.268 | 0.272 | 0.276 |
| Bo | 10.40 | 10.50 | 10.60 | 0.409 | 0.413 | 0.417 |
| Ko | 2.55 | 2.65 | 2.75 | 0.100 | 0.104 | 0.105 |
| Po | 3.9 | 4.0 | 4.1 | 0.153 | 0.157 | 0.161 |
| P | 7.9 | 8.0 | 8.1 | 0.311 | 0.315 | 0.319 |



Tape & Reel SO-8 MECHANICAL DATA

| DIM. | mm. | | | inch | | |
|------|------|-----|------|-------|------|--------|
| | MIN. | TYP | MAX. | MIN. | TYP. | MAX. |
| A | | | 330 | | | 12.992 |
| C | 12.8 | | 13.2 | 0.504 | | 0.519 |
| D | 20.2 | | | 0.795 | | |
| N | 60 | | | 2.362 | | |
| T | | | 22.4 | | | 0.882 |
| Ao | 8.1 | | 8.5 | 0.319 | | 0.335 |
| Bo | 5.5 | | 5.9 | 0.216 | | 0.232 |
| Ko | 2.1 | | 2.3 | 0.082 | | 0.090 |
| Po | 3.9 | | 4.1 | 0.153 | | 0.161 |
| P | 7.9 | | 8.1 | 0.311 | | 0.319 |



勝特力材料 886-3-5753170
勝特力电子(上海) 86-21-54151736
勝特力电子(深圳) 86-755-83298787
[Http://www.100y.com.tw](http://www.100y.com.tw)

Information furnished is believed to be accurate and reliable. However, STMicroelectronics assumes no responsibility for the consequences of use of such information nor for any infringement of patents or other rights of third parties which may result from its use. No license is granted by implication or otherwise under any patent or patent rights of STMicroelectronics. Specifications mentioned in this publication are subject to change without notice. This publication supersedes and replaces all information previously supplied. STMicroelectronics products are not authorized for use as critical components in life support devices or systems without express written approval of STMicroelectronics.

The ST logo is a registered trademark of STMicroelectronics
All other names are the property of their respective owners

© 2004 STMicroelectronics - All Rights Reserved
STMicroelectronics GROUP OF COMPANIES

Australia - Belgium - Brazil - Canada - China - Czech Republic - Finland - France - Germany - Hong Kong - India - Israel - Italy - Japan -
Malaysia - Malta - Morocco - Singapore - Spain - Sweden - Switzerland - United Kingdom - United States.
<http://www.st.com>

