

Using the TPS2420, TPS2421-1 and TPS2421-2

User's Guide



勝特力材料 886-3-5753170
勝特力电子(上海) 86-21-34970699
勝特力电子(深圳) 86-755-83298787
[Http://www.100y.com.tw](http://www.100y.com.tw)

TPS2420 Hot Swap Controller System Test Board

This user's guide describes the setup and operation of the TPS2420 system test board.

1 Introduction

This user's guide describes the features of the TPS242X EVM. The TPS242X schematic, layout and List of Materials are provided as well as a setup and getting started.

2 Description

The EVM is a 3 V to 18 V module using the TPS2420/21 hot swap controller with integrated MOSFET. At power on, the output is power limited to control inrush current and protect the MOSFET. On an over-current condition, the controller interrupts power to the load at high speed and signals load status. Operating current, fault current and fault timer settings are hardware programmable.

2.1 Applications

2.1.1 Server

- Plug-In Circuit Boards
- RAID / Disk Drive

2.1.2 Telecom

- ATCA
- Micro-ATCA

2.2 Features

- 3-V to 18-V Operation
- Controlled Inrush Current
- Fast Circuit Breaker Control
- Hardware Programmable
 - Operating Current
 - Fault Current
 - Fault Timer to Avoid Nuisance Tripping
 - Latch Off or Retry (TPS2420 is pin selectable, TPS2421-1 is latch-off only and TPS2421-2 is re-try only.)
- LED status display
- A Slide Switch Controls the ENABLE Signal.
- The Area Under the TPS2420/1 is Copper Pour with Vias to the Internal Ground to take Advantage of the Power Pad Package.
- A Transorb is On-Board for Over-Voltage Input Protection
- A Common Diode at the Output Prevents a Negative Spike if the Load is Removed While Powered On
- Programmable I_{MON} Voltage Readout of the Output Current is Preset to 0.31 V / A
- Test Points Available to Monitor Circuit Operation

3 Block Diagram

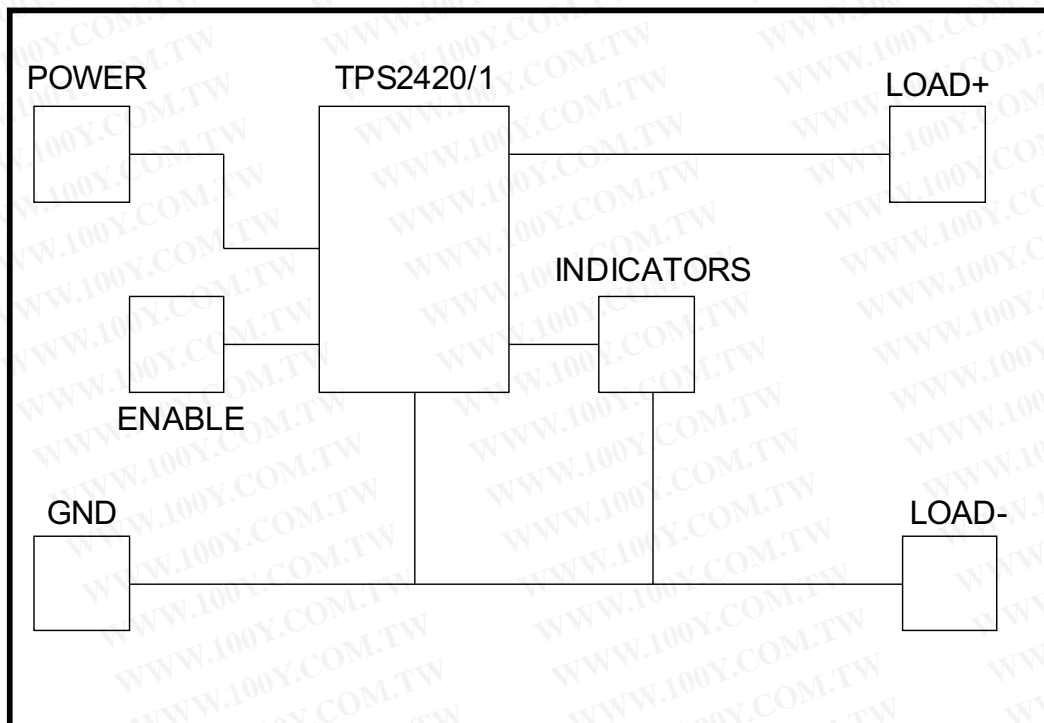


Figure 1. EVM Block Diagram

4 Schematic

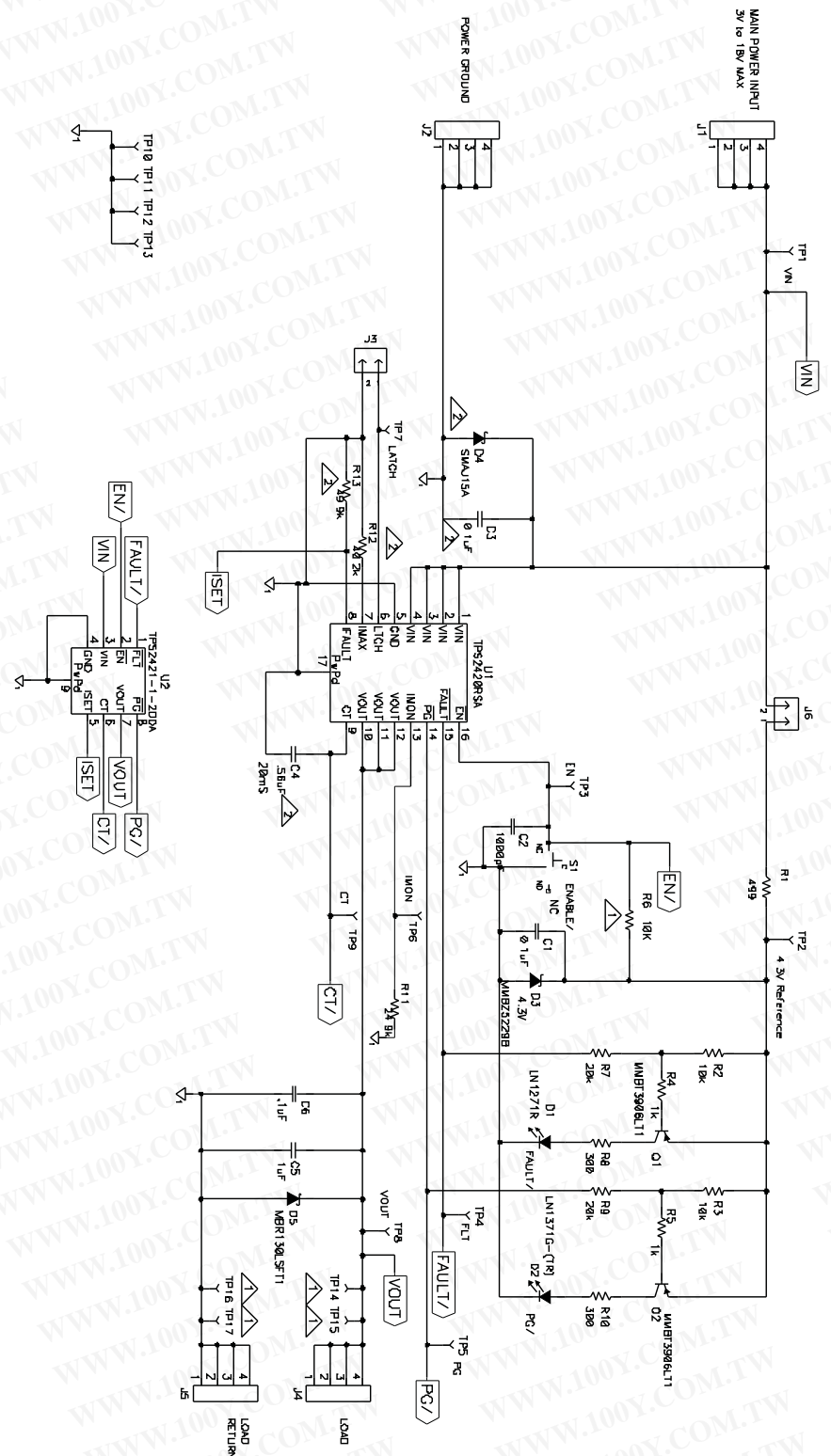


Figure 2. TPS2420 Schematic

5 List of Materials

This is the List of Material for the TPS242X EVM

Table 1. List of Materials

COUNT	REF DES	DESCRIPTION	PART NUMBER	MFR
2	C1, C3	Capacitor, ceramic, 0.1 μ F, 603	STD	muRata
2	C2, C6	Capacitor, ceramic, 0.1 μ F, 603	STD	muRata
1	C4	Capacitor, ceramic, 10V, 0.56 μ F, 805	STD	muRata
1	C5	Capacitor, ceramic, 25 V, 1 μ F, 1206	STD	muRata
1	D1	Diode, LED, red, 20 mA, 0.9 mcd, 0.068 x 0.049 inch	LN1271R	Panasonic
1	D2	Diode, LED, green, 20 mA, 0.9 mcd, 0.068 x 0.049 inch	LN1371G-(TR)	Panasonic
1	D3	Diode, Zener, 4.3 V, SOT23	MMBZ5229B	Motorola
1	D4	Diode, SMT TVS 400 W, 1 A, 15 V, SMA	SMAJ15A	Diodes
1	D5	Diode, Schottky, 1000 mA, 30 V, SOD123	MBR130LSFT1	STD
4	J1, J2, J4, J5	Screw terminal, 0.310 x 0.310 inch	7693	Keystone
1	J3	Header, 2 pin, 100-mil spacing, (36-pin strip), 0.100 inch x 2	PTC36SAAN	Sullins
2	Q1, Q2	Bipolar, PNP, xx-V, yy-mA, zz-W, SOT23	MMBT3906LT1	On Semi
1	R1	Resistor, chip, 0.5 W, 1%, 499 Ω , 2512	STD	STD
1	R11	Resistor, chip, 1/16 W, 1%, 24.9 k Ω , 603	STD	Vishay
1	R12	Resistor, chip, 1/16 W, 1%, 40.2 k Ω , 603	STD	Vishay
1	R13	Resistor, chip, 1/16 W, 1%, 49.9 k Ω , 603	STD	Vishay
2	R2, R3	Resistor, chip, 1/16 W, 5%, 10 k Ω , 603	STD	Vishay
2	R4, R5	Resistor, chip, 1/16 W, 1%, 1 k Ω , 603	STD	Vishay
1	R6	Resistor, chip, 1/16 W, 1%, 10 k Ω , 603	STD	Vishay
2	R7, R9	Resistor, chip, 1/16 W, 5%, 20 k Ω , 603	STD	Vishay
2	R8, R10	Resistor, chip, 1/10 W, 5%, 300 Ω , 805	STD	Vishay
1	S1	Switch, SPDT, slide, PC mount, 500 mA, 0.400 x 0.100 inch	09-03201-02	EAO
9	TP1, TP2, TP3, TP4, TP5, TP6, TP7, TP8, TP9	Test point, white, thru hole, 0.125 x 0.125 inch	5012	Keystone
4	TP10, TP11, TP12, TP13	Test point, SM, 0.150 x 0.090, 0.185 x 0.135 inch	5016	Keystone
0	TP14, TP15, TP16, TP17	Test point, 0.062 Hole, 0.250 inch	5012	Keystone
1	U1	0 to 12V Integrated FET Hot Swap, QFN-16	TPS2420RSA	TI
1	U2	0 to 12V Integrated FET Hot Swap, SO8[DDA]	TPS2421-1DDA	TI
1	U2	0 to 12V Integrated FET Hot Swap, SO8[DDA]	TPS2421-2DDA	TI
1	--	Shunt, 100-mil, black		

6 Board Outline

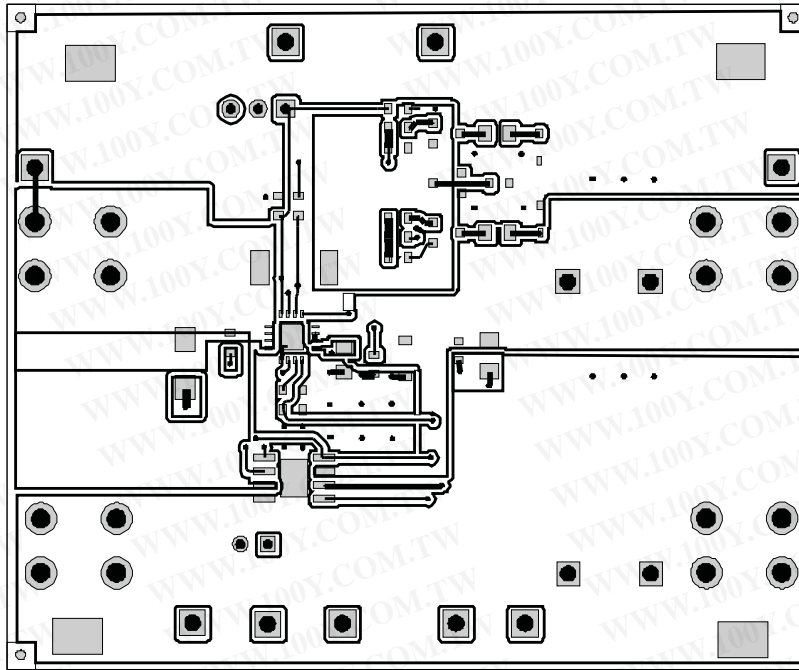


Figure 3. Board Outline (top)

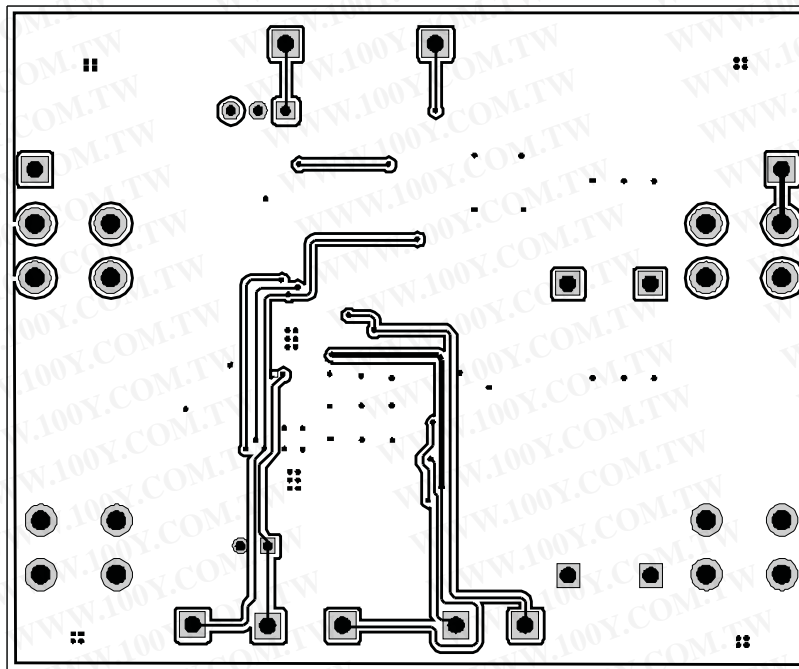


Figure 4. Board Outline (bottom)

6.1 Test Points

Test Points TP14, TP15, TP16, TP17, are not installed. These are placed on the board unmarked near Load and Load Return. This is a user option to hardwire additional capacitors, etc to the output.

Table 2. Test Points

TEST POINT	NAME	DESCRIPTION
TP1	VIN	Input voltage power supply
TP2	4.3 V REF	\$0.3 V reference
TP3	EN	Enable signal, high true
TP4	\overline{FLT}	Fault signal, low true
TP5	\overline{PG}	Power good signal, low true
TP6	IMON	Output current monitor, @@Volts / Amp
TP7	LATCH	Latch signal, high true, low for retry
TP8	VOUT	Output voltage
TP9	CT	Fault timer capacitor
TP10	GND	Scope ground test point
TP11	GND	Scope ground test point
TP12	GND	Scope ground test point
TP13	GND	Scope ground test point

6.2 Connectors

Table 3. Connectors

CONNECTOR	DESCRIPTION
J1	Main power input, VIN
J2	Main power ground, GND
J4	Load
J5	Load ground, GND

6.3 Jumpers

Jumper J6 is used to disconnect the LEDs for test measurement of TPS2420 quiescent current. This jumper is normally installed.

Table 4. Jumpers

JUMPER	DESCRIPTION
J3	TPS2420 only off = latch, on = retry
J6	Installed for normal operation

6.4 Switches

6.4.1 Enable Switch S1

The Enable slide switch turns on the hot plug controller to ramp the output voltage. When the switch is off, the output is off.

6.5 Indicators

- Green LED Indicator for Power Good (PG)
- Red LED Indicator for FAULT (FLT)

7 Equipment

7.1 Equipment Needed

7.1.1 6.1.1 Voltage Source

The input voltage source, VIN is a 20-V variable dc source at 10 A.

7.1.2 6.1.3 Oscilloscope

A digital oscilloscope can be used to monitor the test points. [Table 2](#) lists the test points.

7.1.3 6.1.4 Current Probe

A current probe is helpful to observe turn on characteristics of the external load.

7.1.4 6.1.5 Recommended Wire Gauge

Power is limited to 5 W; 18 gage wire minimum is recommended.

7.2 6.2 Equipment Supplied

The TPS242x Module configured with TPS2420/21 is supplied.

Table 5. EVM Configurations

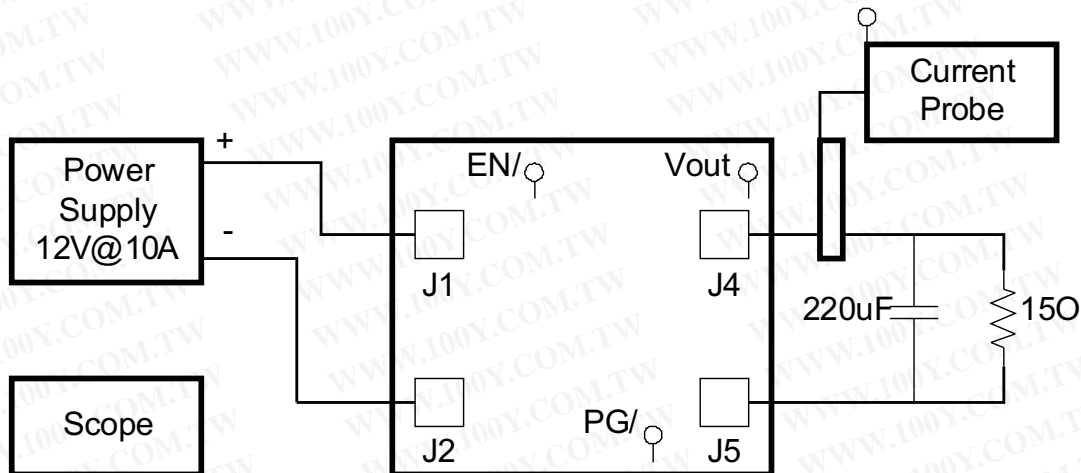
EVALUATION MODULE	COMPONENT
HPA270EVM-001	TPS2420
HPA270EVM-002	TPS2421-1
HPA270EVM-003	TPS2420-2

8 Getting Started (example)

8.1 Equipment Connections

Reference [Figure 5](#) for equipment connections.

- Input power supply positive voltage to J1 and negative voltage to GND, J2. Connectors J1 and J2 can accept #6 ring or spade lugs.
- RC load at J4 and the load return at J5. The example here uses 220 μ F, 15 Ω .
- Scope to current probe to measure the load current.
- Scope the V_{OUT} - TP8, \overline{EN} - TP3, \overline{PG} - TP5.



Note:

○ Connects to Scope

Figure 5. Equipment Connections

8.2 Operation

- Turn on the power supply.
- Trigger the scope on \overline{EN} low going edge.
- Slide the \overline{EN} to the EN position as screened on the circuit board.

8.3 Test Results

Observe waveforms similar to [Figure 6](#).

- The current to the load is not constant but increases after the initial inrush. Current is low initially because the voltage across the internal MOSFET is initially at its highest level and the controller is power limiting the MOSFET.

$$V_{PASS} = V_{IN} - V_{OUT}$$

$$P_{TPS2420} = V_{PASS} \times I_{OUT}$$

- Although the current limit, I_{FLT} , is set to 4 A, the start up current never goes above 2.2 A because of the power limiting. However, 4 A is available to the steady state load when the MOSFET is fully enhanced.
- At the end of the capacitor charge time, the current drops to the dc level powering the resistive part of the load, about 0.8 A.
- Power Good (\overline{PG}) is true when the output voltage is within 0.3 V of the input voltage.

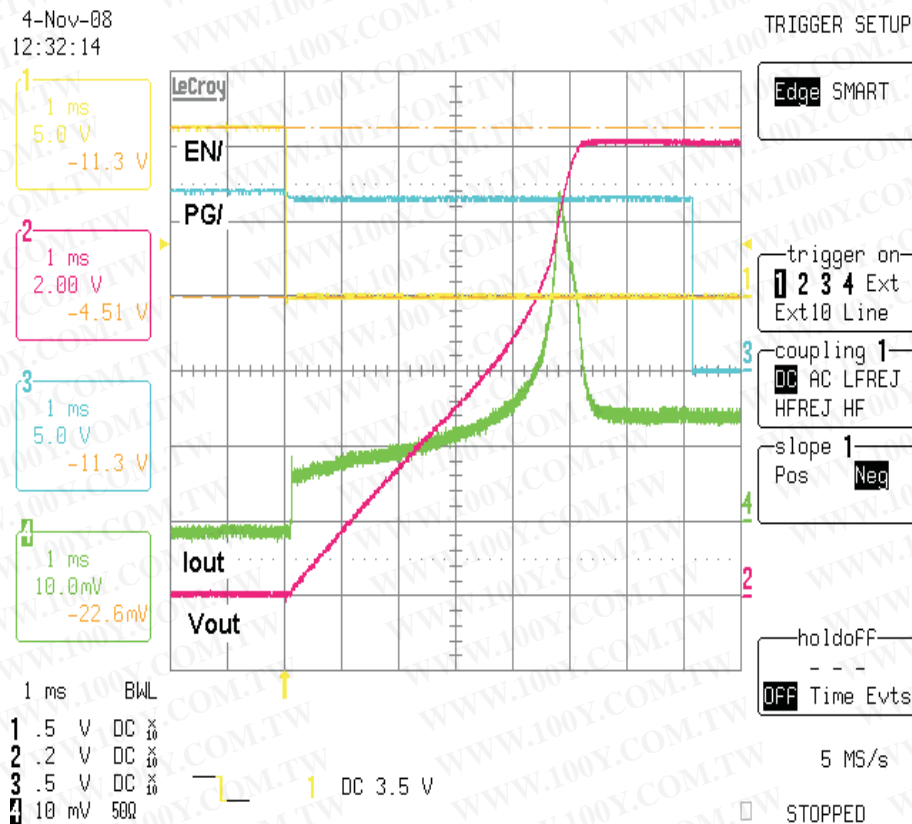


Figure 6. Example Scope Trace

勝特力材料 886-3-5753170
 勝特力电子(上海) 86-21-34970699
 勝特力电子(深圳) 86-755-83298787
[Http://www.100y.com.tw](http://www.100y.com.tw)