

UTC 79DXX LINEAR INTEGRATED CIRCUIT

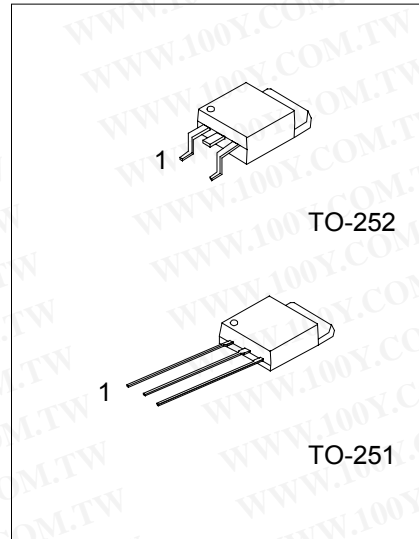
3 TERMINAL 0.5A NEGATIVE VOLTAGE REGULATOR

DESCRIPTION

The UTC 79DXX series of three-terminal negative regulators are available in TO-252 and TO-251 packages and with several fixed output voltage, making them useful in a wide range of application. Each type employs internal current limiting, thermal shut-down and safe area protection, making it essentially indestructible.

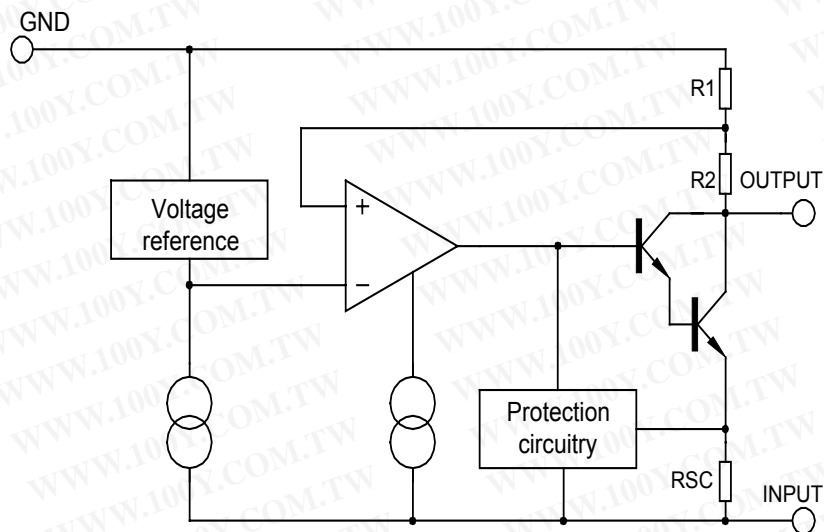
FEATURES

- *Output current up to 0.5A
- *-5V; -6V; -8V; -12V; -15V; -18V; -24V output voltage available
- *Thermal overload protection
- *Short circuit protection



1: GND 2: Input 3: Output

BLOCK DIAGRAM



UTC 79DXX LINEAR INTEGRATED CIRCUIT

ABSOLUTE MAXIMUM RATINGS (Ta=25°C)

PARAMETER	SYMBOL	VALUE	UNIT
Input voltage (for Vo=-5 ~ -18V) (for Vo=-20 ~ -24V)	Vi	-35 -40	V
Thermal resistance junction-air	R θ JA	65	°C /W
Thermal resistance junction-cases	R θ JC	5	°C /W
Operating Temperature	Topr	0 ~ +125	°C
Storage Temperature	Tstg	-65 ~ +150	°C

UTC 79D05 ELECTRICAL CHARACTERISTICS

(Refer to test circuits, 0<Tj<125°C, Io=500mA, Vi=-10V, Ci=33uF, Co=1uF, unless otherwise specified)

PARAMETER	SYMBOL	TEST CONDITIONS	MIN	TYP	MAX	UNIT
Output voltage	Vo	Tj=25°C	-4.80	-5.0	-5.20	V
		5.0mA<Io<0.5A, Po<15W Vi=-7V to -20V	-4.75		-5.25	V
Line regulation	ΔVo	Tj=25°C, Vi=-7V to -25V		10	100	mV
		Tj=25°C, Vi=-8V to -12V				mV
Load regulation	ΔVo	Tj=25°C, Io=5.0mA to 0.5A		10	100	mV
		Tj=25°C, Io=5.0mA to 200mA		3	50	mV
Quiescent current	Iq	Tj=25°C		4.3	8	mA
Quiescent current change	ΔIq	Io=5mA to 0.5A		0.05	0.5	mA
		Vi=-7V to -25V		0.1	1.3	mA
Output voltage drift	ΔVo/ΔT	Io=5mA		-0.4		mV/°C
Output noise voltage	VN	f=10Hz to 100kHz, Ta=25°C		100		μV
Ripple rejection	RR	f=120Hz, Vi=-8V to -18V	54	60		dB
Dropout voltage	Vd	Io=1.0A, Tj=25°C		2		V

UTC 79D06 ELECTRICAL CHARACTERISTICS

(Refer to test circuits, 0<Tj<125°C, Io=500mA, Vi=-11V, Ci=2.2uF, Co=1uF, unless otherwise specified)

PARAMETER	SYMBOL	TEST CONDITIONS	MIN	TYP	MAX	UNIT
Output voltage	Vo	Tj=25°C	-5.76	-6.0	-6.24	V
		5.0mA<Io<0.5A, Po<15W Vi=-8V to -21V	-5.70		-6.30	V
Line regulation	ΔVo	Tj=25°C, Vi=-8V to -25V		10	120	mV
		Tj=25°C, Vi=-9V to -13V		5	60	mV
Load regulation	ΔVo	Tj=25°C, Io=5.0mA to 0.5A		10	120	mV
		Tj=25°C, Io=5.0mA to 200mA		3	60	mV
Quiescent current	Iq	Tj=25°C		4.3	8	mA
Quiescent current change	ΔIq	Io=5mA to 0.5A			0.5	mA
		Vi=-8V to -25V			1.3	mA
Output voltage drift	ΔVo/ΔT	Io=5mA		-0.5		mV/°C
Output noise voltage	VN	f=10Hz to 100kHz, Ta=25°C		130		μV
Ripple rejection	RR	f=120Hz, Vi=-9V to -19V	54	60		dB
Dropout voltage	Vd	Io=0.5A, Tj=25°C		2		V

UTC 79DXX LINEAR INTEGRATED CIRCUIT

UTC 79D08 ELECTRICAL CHARACTERISTICS

(Refer to test circuits, $0 < T_j < 125^\circ\text{C}$, $I_o = 500\text{mA}$, $V_i = -14\text{V}$, $C_i = 2.2\mu\text{F}$, $C_o = 1\mu\text{F}$, unless otherwise specified)

PARAMETER	SYMBOL	TEST CONDITIONS	MIN	TYP	MAX	UNIT
Output voltage	V_o	$T_j = 25^\circ\text{C}$	-7.68	-8.0	-8.32	V
		$5.0\text{mA} < I_o < 0.5\text{A}$, $P_o < 15\text{W}$ $V_i = -10.5\text{V}$ to -23V	-7.60		-8.40	V
Line regulation	ΔV_o	$T_j = 25^\circ\text{C}$, $V_i = -10.5\text{V}$ to -25V		10	100	mV
		$T_j = 25^\circ\text{C}$, $V_i = -11.5\text{V}$ to -17V		5	80	mV
Load regulation	ΔV_o	$T_j = 25^\circ\text{C}$, $I_o = 5.0\text{mA}$ to 0.5A		12	160	mV
		$T_j = 25^\circ\text{C}$, $I_o = 5.0\text{mA}$ to 200mA		4	80	mV
Quiescent current	I_Q	$T_j = 25^\circ\text{C}$		4.3	8	mA
Quiescent current change	ΔI_Q	$I_o = 5\text{mA}$ to 0.5A		0.05	0.5	mA
		$V_i = -11.5\text{V}$ to -25V		0.1	1.0	mA
Output voltage drift	$\Delta V_o / \Delta T$	$I_o = 5\text{mA}$		-0.6		mV/ $^\circ\text{C}$
Output noise voltage	V_N	$f = 10\text{Hz}$ to 100kHz , $T_a = 25^\circ\text{C}$		175		μV
Ripple rejection	RR	$f = 120\text{Hz}$, $V_i = -11.5\text{V}$ to -21.5V	54	60		dB
Dropout voltage	V_d	$I_o = 0.5\text{A}$, $T_j = 25^\circ\text{C}$		2		V

UTC 79D09 ELECTRICAL CHARACTERISTICS

(Refer to test circuits, $0 < T_j < 125^\circ\text{C}$, $I_o = 500\text{mA}$, $V_i = -15\text{V}$, $C_i = 2.2\mu\text{F}$, $C_o = 1\mu\text{F}$, unless otherwise specified)

PARAMETER	SYMBOL	TEST CONDITIONS	MIN	TYP	MAX	UNIT
Output Voltage	V_o	$T_j = 25^\circ\text{C}$	-8.64	-9.0	-9.36	V
		$5.0\text{mA} < I_o < 0.5\text{A}$, $P_o < 15\text{W}$ $V_i = -11.5\text{V}$ to -24V	-8.55		-9.45	V
Line regulation	ΔV_o	$T_j = 25^\circ\text{C}$, $V_i = -11.5\text{V}$ to -25V		10	180	mV
		$T_j = 25^\circ\text{C}$, $V_i = -12.5\text{V}$ to -18V		5	90	mV
Load Regulation	ΔV_o	$T_j = 25^\circ\text{C}$, $I_o = 5.0\text{mA}$ - 0.5A		12	180	mV
		$T_j = 25^\circ\text{C}$, $I_o = 5.0\text{mA}$ - 200mA		4	90	mV
Quiescent Current	I_Q	$T_j = 25^\circ\text{C}$		4.3	8	mA
Quiescent Current Change	ΔI_Q	$I_o = 5\text{mA}$ to 0.5A		0.05	0.5	mA
		$V_i = -11.5\text{V}$ to -26V		0.1	1.0	mA
Temperature coefficient of V_o	$\Delta V_o / \Delta T$	$I_o = 5\text{mA}$		-0.6		mV/ $^\circ\text{C}$
Output Noise Voltage	V_N	$f = 10\text{Hz}$ to 100kHz , $T_a = 25^\circ\text{C}$		175		μV
Ripple Rejection	RR	$f = 120\text{Hz}$, $V_i = -12.5\text{V}$ to -22.5V	54	60		dB
Dropout Voltage	V_d	$I_o = 0.5\text{A}$, $T_j = 25^\circ\text{C}$		2		V

UTC 79DXX LINEAR INTEGRATED CIRCUIT

UTC 79D12 ELECTRICAL CHARACTERISTICS

(Refer to test circuits, $0 < T_j < 125^\circ\text{C}$, $I_o = 500\text{mA}$, $V_i = -18\text{V}$, $C_i = 2.2\mu\text{F}$, $C_o = 1\mu\text{F}$, unless otherwise specified)

PARAMETER	SYMBOL	TEST CONDITIONS	MIN	TYP	MAX	UNIT
Output voltage	V_o	$T_j = 25^\circ\text{C}$	-11.52	-12.0	-12.48	V
		$5.0\text{mA} < I_o < 0.5\text{A}$, $P_o < 15\text{W}$ $V_i = -14.5\text{V}$ to -27V	-11.40		-12.60	V
Line regulation	ΔV_o	$T_j = 25^\circ\text{C}$, $V_i = -14.5\text{V}$ to -30V		12	240	mV
		$T_j = 25^\circ\text{C}$, $V_i = -16\text{V}$ to -22V		6	120	mV
Load regulation	ΔV_o	$T_j = 25^\circ\text{C}$, $I_o = 5.0\text{mA}$ to 0.5A		12	240	mV
		$T_j = 25^\circ\text{C}$, $I_o = 5.0\text{mA}$ to 200mA		4	120	mV
Quiescent current	I_q	$T_j = 25^\circ\text{C}$		4.3	8	mA
Quiescent current change	ΔI_q	$I_o = 5\text{mA}$ to 0.5A		0.05	0.5	mA
		$V_i = -14.5\text{V}$ to -30V		0.1	1.0	mA
Output voltage drift	$\Delta V_o / \Delta T$	$I_o = 5\text{mA}$		-0.8		mV/ $^\circ\text{C}$
Output noise voltage	V_N	$f = 10\text{Hz}$ to 100kHz , $T_a = 25^\circ\text{C}$		200		μV
Ripple rejection	RR	$f = 120\text{Hz}$, $V_i = -15\text{V}$ to -25V	54	60		dB
Dropout voltage	V_d	$I_o = 0.5\text{A}$, $T_j = 25^\circ\text{C}$		2		V

UTC 79D15 ELECTRICAL CHARACTERISTICS

(Refer to test circuits, $0 < T_j < 125^\circ\text{C}$, $I_o = 500\text{mA}$, $V_i = -23\text{V}$, $C_i = 2.2\mu\text{F}$, $C_o = 1\mu\text{F}$, unless otherwise specified)

PARAMETER	SYMBOL	TEST CONDITIONS	MIN	TYP	MAX	UNIT
Output voltage	V_o	$T_j = 25^\circ\text{C}$	-14.40	-15.0	-15.60	V
		$5.0\text{mA} < I_o < 0.5\text{A}$, $P_o < 15\text{W}$ $V_i = -17.5\text{V}$ to -30V	-14.25		-15.75	V
Line regulation	ΔV_o	$T_j = 25^\circ\text{C}$, $V_i = -17.5\text{V}$ to -30V		12	300	mV
		$T_j = 25^\circ\text{C}$, $V_i = -20\text{V}$ to -26V		6	150	mV
Load regulation	ΔV_o	$T_j = 25^\circ\text{C}$, $I_o = 5.0\text{mA}$ to 0.5A		12	300	mV
		$T_j = 25^\circ\text{C}$, $I_o = 5.0\text{mA}$ to 200mA		4	150	mV
Quiescent current	I_q	$T_j = 25^\circ\text{C}$		4.3	8	mA
Quiescent current change	ΔI_q	$I_o = 5\text{mA}$ to 0.5A		0.05	0.5	mA
		$V_i = -17.5\text{V}$ to -30.5V		0.1	1.0	mA
Output voltage drift	$\Delta V_o / \Delta T$	$I_o = 5\text{mA}$		-0.9		mV/ $^\circ\text{C}$
Output noise voltage	V_N	$f = 10\text{Hz}$ to 100kHz , $T_a = 25^\circ\text{C}$		250		μV
Ripple rejection	RR	$f = 120\text{Hz}$, $V_i = -18.5\text{V}$ to -28.5V	54	60		DB
Dropout voltage	V_d	$I_o = 0.5\text{A}$, $T_j = 25^\circ\text{C}$		2		V

UTC 79D18 ELECTRICAL CHARACTERISTICS

(Refer to test circuits, $0 < T_j < 125^\circ\text{C}$, $I_o = 500\text{mA}$, $V_i = -27\text{V}$, $C_i = 2.2\mu\text{F}$, $C_o = 1\mu\text{F}$, unless otherwise specified)

PARAMETER	SYMBOL	TEST CONDITIONS	MIN	TYP	MAX	UNIT
Output voltage	V_o	$T_j = 25^\circ\text{C}$	-17.28	-18.0	-18.72	V
		$5.0\text{mA} < I_o < 0.5\text{A}$, $P_o < 15\text{W}$ $V_i = -21\text{V}$ to -33V	-17.10		-18.90	V
Line regulation	ΔV_o	$T_j = 25^\circ\text{C}$, $V_i = -21\text{V}$ to -33V		15	360	mV
		$T_j = 25^\circ\text{C}$, $V_i = -24\text{V}$ to -30V		8	180	mV
Load regulation	ΔV_o	$T_j = 25^\circ\text{C}$, $I_o = 5.0\text{mA}$ to 0.5A		15	360	mV
		$T_j = 25^\circ\text{C}$, $I_o = 5.0\text{mA}$ to 200mA		5.0	180	mV
Quiescent current	I_q	$T_j = 25^\circ\text{C}$		4.3	8	mA
Quiescent current change	ΔI_q	$I_o = 5\text{mA}$ to 0.5A			0.5	mA
		$V_i = -21\text{V}$ to -32V			1.0	mA
Output voltage drift	$\Delta V_o / \Delta T$	$I_o = 5\text{mA}$		-1		mV/ $^\circ\text{C}$
Output noise voltage	V_N	$f = 10\text{Hz}$ to 100kHz , $T_a = 25^\circ\text{C}$		300		μV
Ripple rejection	RR	$f = 120\text{Hz}$, $V_i = -22\text{V}$ to -32V	54	60		dB
Dropout voltage	V_d	$I_o = 0.5\text{A}$, $T_j = 25^\circ\text{C}$		2		V

UTC 79DXX LINEAR INTEGRATED CIRCUIT

UTC 79D24 ELECTRICAL CHARACTERISTICS

(Refer to test circuits, $0 < T_j < 125^\circ\text{C}$, $I_o = 500\text{mA}$, $V_i = -33\text{V}$, $C_i = 2.2\mu\text{F}$, $C_o = 1\mu\text{F}$, unless otherwise specified)

PARAMETER	SYMBOL	TEST CONDITIONS	MIN	TYP	MAX	UNIT
Output voltage	V_o	$T_j = 25^\circ\text{C}$	-23.04	-24.0	-24.96	V
		$5.0\text{mA} < I_o < 0.5\text{A}$, $P_o < 15\text{W}$ $V_i = -27\text{V}$ to -38V	-22.80		-25.20	V
Line regulation	ΔV_o	$T_j = 25^\circ\text{C}$, $V_i = -27\text{V}$ to -38V		15	480	mV
		$T_j = 25^\circ\text{C}$, $V_i = -30\text{V}$ to -36V		8	240	mV
Load regulation	ΔV_o	$T_j = 25^\circ\text{C}$, $I_o = 5.0\text{mA}$ to 0.5A		15	480	mV
		$T_j = 25^\circ\text{C}$, $I_o = 5.0\text{mA}$ to 200mA		5.0	240	mV
Quiescent current	I_Q	$T_j = 25^\circ\text{C}$		4.3	8	mA
Quiescent current change	ΔI_Q	$I_o = 5\text{mA}$ to 0.5A			0.5	mA
		$V_i = -27\text{V}$ to -38V			1.0	mA
Output voltage drift	$\Delta V_o / \Delta T$	$I_o = 5\text{mA}$		-1		mV/ $^\circ\text{C}$
Output noise voltage	V_N	$f = 10\text{Hz}$ to 100kHz , $T_a = 25^\circ\text{C}$		400		μV
Ripple rejection	RR	$f = 120\text{Hz}$, $V_i = -28\text{V}$ to -38V	54	60		dB
Dropout voltage	V_d	$I_o = 0.5\text{A}$, $T_j = 25^\circ\text{C}$		2		V

APPLICATION CIRCUITS

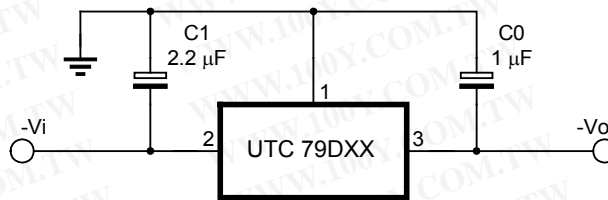


Fig.1 Fixed output regulator

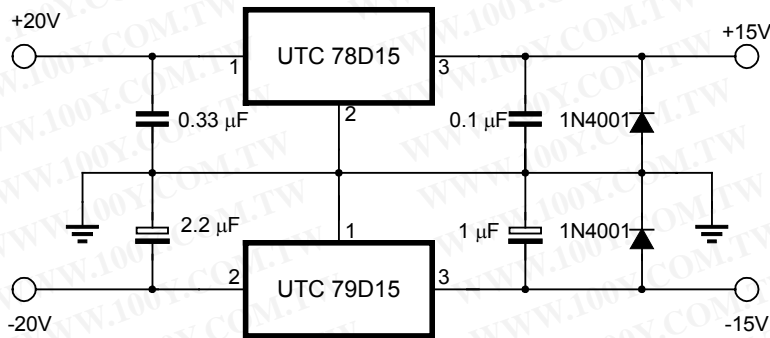


Fig.2 Split power supply (+15V, 0.5A)

UTC 79DXX LINEAR INTEGRATED CIRCUIT

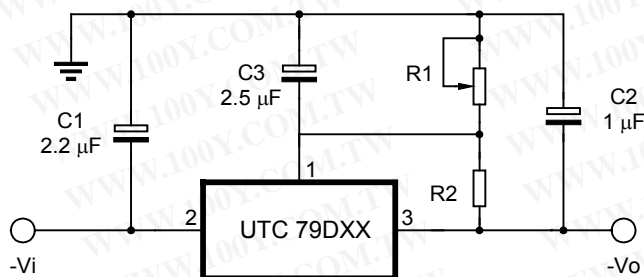


Fig.3 Circuit for increasing output voltage

UTC assumes no responsibility for equipment failures that result from using products at values that exceed, even momentarily, rated values (such as maximum ratings, operating condition ranges, or other parameters) listed in products specifications of any and all UTC products described or contained herein. UTC products are not designed for use in life support appliances, devices or systems where malfunction of these products can be reasonably expected to result in personal injury. Reproduction in whole or in part is prohibited without the prior written consent of the copyright owner. The information presented in this document does not form part of any quotation or contract, is believed to be accurate and reliable and may be changed without notice.