

### FEATURES

- 16-channel DAC in 52-lead LQFP and 56-lead LFCSP packages
- Guaranteed monotonic to 16/14 bits
- Nominal output voltage range of  $-10\text{ V}$  to  $+10\text{ V}$
- Multiple output spans available
- Temperature monitoring function
- Channel monitoring multiplexer
- GPIO function
- System calibration function allowing user-programmable offset and gain
- Channel grouping and addressing features
- Data error checking feature

SPI-compatible serial interface

2.5 V to 5.5 V digital interface

Digital reset ( $\overline{\text{RESET}}$ )

Clear function to user-defined  $\text{SIGGNDx}$

Simultaneous update of DAC outputs

### APPLICATIONS

- Instrumentation
- Industrial control systems
- Level setting in automatic test equipment (ATE)
- Variable optical attenuators (VOA)
- Optical line cards

### FUNCTIONAL BLOCK DIAGRAM

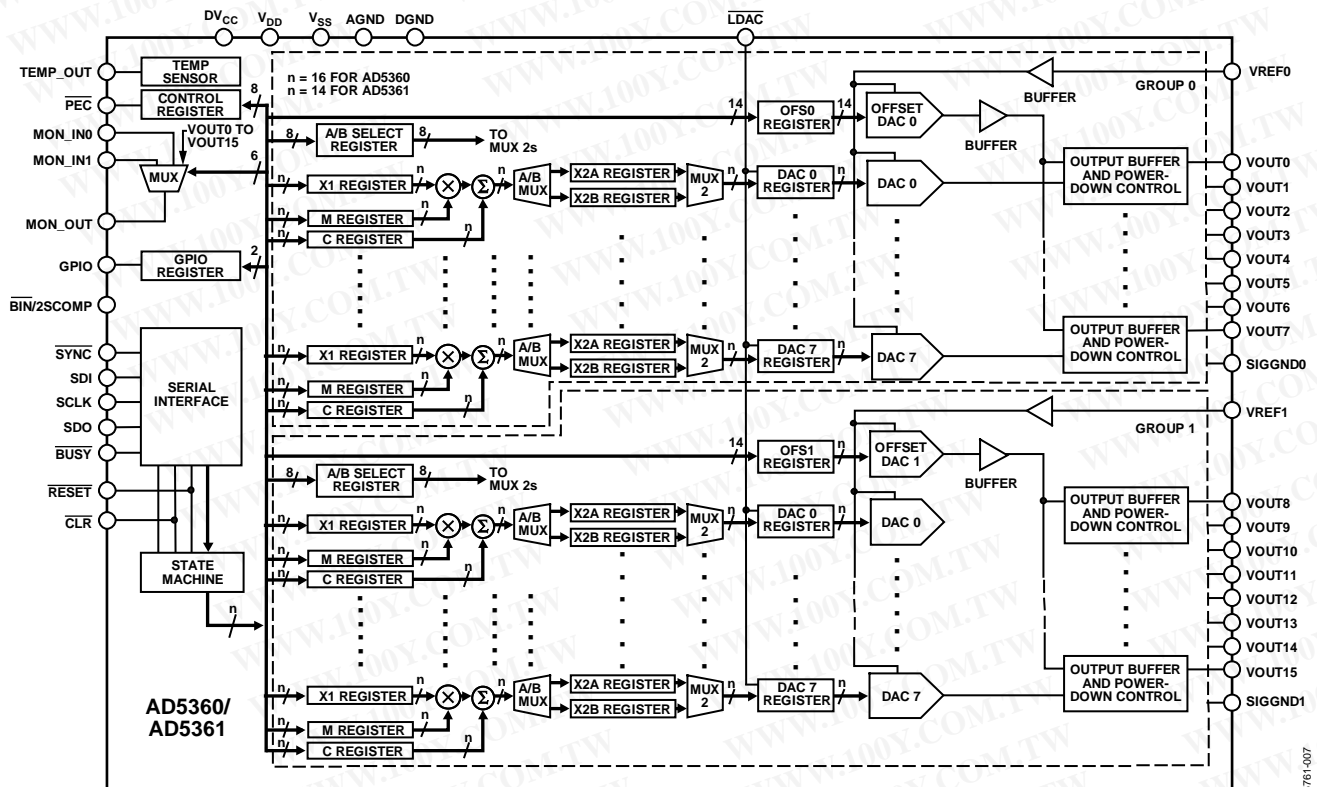


Figure 1.

勝特力材料 886-3-5753170  
 勝特力电子(上海) 86-21-34970699  
 勝特力电子(深圳) 86-755-83298787  
[Http://www.100y.com.tw](http://www.100y.com.tw)

### Rev. A

Information furnished by Analog Devices is believed to be accurate and reliable. However, no responsibility is assumed by Analog Devices for its use, nor for any infringements of patents or other rights of third parties that may result from its use. Specifications subject to change without notice. No license is granted by implication or otherwise under any patent or patent rights of Analog Devices. Trademarks and registered trademarks are the property of their respective owners.

One Technology Way, P.O. Box 9106, Norwood, MA 02062-9106, U.S.A.  
 Tel: 781.329.4700 [www.analog.com](http://www.analog.com)  
 Fax: 781.461.3113 ©2007–2008 Analog Devices, Inc. All rights reserved.

## TABLE OF CONTENTS

|   |    |   |    |
|---|----|---|----|
| Features .....  | 1  | Reset Function .....                            | 19 |
| Applications .....  | 1  | Clear Function .....                            | 19 |
| Functional Block Diagram .....  | 1  | BUSY and LDAC Functions.....                    | 19 |
| Revision History .....  | 2  | $\overline{\text{BIN}}/2\text{SCOMP}$ PIN ..... | 19 |
| General Description .....   | 3  | Temperature Sensor .....                        | 19 |
| Specifications.....   | 4  | Monitor Function .....                          | 20 |
| AC Characteristics.....   | 5  | GPIO Pin .....                                  | 20 |
| Timing Characteristics .....  | 6  | Power-Down Mode.....                            | 20 |
| Absolute Maximum Ratings.....   | 9  | Thermal Monitoring Function .....               | 20 |
| ESD Caution.....  | 9  | Toggle Mode.....                                | 20 |
| Pin Configuration and Function Descriptions.....                      | 10 | Serial Interface .....                          | 21 |
| Typical Performance Characteristics .....                             | 12 | SPI Write Mode .....                            | 21 |
| Terminology .....   | 14 | SPI Readback Mode .....                         | 22 |
| Functional Description.....   | 15 | Register Update Rates .....                     | 22 |
| DAC Architecture.....   | 15 | Packet Error Checking.....                      | 22 |
| Channel Groups.....   | 15 | Channel Addressing and Special Modes .....      | 23 |
| $\overline{\text{A}}/\text{B}$ Registers Gain/Offset Adjustment ..... | 16 | Special Function Mode.....                      | 24 |
| Offset DACs .....   | 16 | Power Supply Decoupling.....                    | 25 |
| Output Amplifier.....   | 17 | Power Supply Sequencing .....                   | 25 |
| Transfer Function .....   | 17 | Interfacing Examples.....                       | 26 |
| Reference Selection .....   | 17 | Outline Dimensions.....                         | 27 |
| Calibration.....  | 18 | Ordering Guide .....                            | 27 |

## REVISION HISTORY

### 2/08—Rev. 0 to Rev. A

|  |           |
|--|-----------|
| Added LFCSP Package .....                                | Universal |
| Change to DC Crosstalk Parameter .....                   | 4         |
| Change to Power Dissipation Unloaded (P) Parameter ..... | 5         |
| Added $t_{23}$ Parameter .....                           | 6         |
| Change to Figure 4 .....                                 | 7         |
| Change to Table 5 Summary .....                          | 9         |
| Added Figure 8.....                                      | 10        |
| Changes to Table 6.....                                  | 10        |
| Changes to Calibration Section .....                     | 18        |
| Changes to Reset Function Section.....                   | 19        |
| Added Packet Error Checking Section .....                | 22        |
| Updated Outline Dimensions .....                         | 27        |
| Changes to Ordering Guide .....                          | 27        |

### 10/07—Revision 0: Initial Version

## GENERAL DESCRIPTION

The AD5360/AD5361 contain sixteen, 16-/14-bit DACs in a single 52-lead LQFP or 56-lead LFCSP package. They provide buffered voltage outputs with a span four times the reference voltage. The gain and offset of each DAC can be independently trimmed to remove errors. For even greater flexibility, the device is divided into two groups of eight DACs, and the output range of each group can be independently adjusted by an offset DAC.

The AD5360/AD5361 offer guaranteed operation over a wide supply range with  $V_{SS}$  from  $-4.5$  V to  $-16.5$  V and  $V_{DD}$  from  $+8$  V to  $+16.5$  V. The output amplifier headroom requirement is 1.4 V.

The AD5360/AD5361 have a high speed 4-wire serial interface, which is compatible with SPI, QSPI™, MICROWIRE™, and DSP interface standards and can handle clock speeds of up to 50 MHz. All the outputs can be updated simultaneously by taking the  $\overline{LDAC}$  input low. Each channel has a programmable gain register and an offset adjust register.

Each DAC output is amplified and buffered on-chip with respect to an external SIGGNDx input. The DAC outputs can also be switched to SIGGNDx via the CLR pin.

勝特力材料 886-3-5753170  
勝特力电子(上海) 86-21-34970699  
勝特力电子(深圳) 86-755-83298787  
[Http://www.100y.com.tw](http://www.100y.com.tw)

# AD5360/AD5361

## SPECIFICATIONS

$DV_{CC} = 2.5\text{ V to }5.5\text{ V}$ ;  $V_{DD} = 9\text{ V to }16.5\text{ V}$ ;  $V_{SS} = -16.5\text{ V to }-4.5\text{ V}$ ;  $V_{REF} = 5\text{ V}$ ;  $AGND = DGND = SIGGND = 0\text{ V}$ ;  $R_L = \text{open circuit}$ ; gain (M), offset (C), and DAC offset registers at default value; all specifications  $T_{MIN}$  to  $T_{MAX}$ , unless otherwise noted.

Table 1.

| Parameter  | B Version <sup>1</sup>           | Unit             | Test Conditions/Comments  |
|--|----------------------------------|------------------|---|
| <b>ACCURACY</b>                                      |                                  |                  |   |
| Resolution   |                                  |                  |   |
| AD5360   | 16                               | Bits             |   |
| AD5361   | 14                               | Bits             |   |
| Relative Accuracy                                    |                                  |                  |   |
| AD5360   | ±4                               | LSB max          |   |
| AD5361   | ±1                               | LSB max          |   |
| Differential Nonlinearity                            | ±1                               | LSB max          | Guaranteed monotonic by design over temperature   |
| Zero-Scale Error                                     | ±15                              | mV max           | Before calibration  |
| Full-Scale Error                                     | ±20                              | mV max           | Before calibration  |
| Gain Error   | 0.1                              | % FSR            | Before calibration  |
| Zero-Scale Error <sup>2</sup>                        | 1                                | LSB typ          | After calibration   |
| Full-Scale Error <sup>2</sup>                        | 1                                | LSB typ          | After calibration   |
| Span Error of Offset DAC                             | ±75                              | mV max           | See the Offset DACS section for details   |
| $V_{OUTx^3}$ Temperature Coefficient                 | 5                                | ppm FSR/°C typ   | Includes linearity, offset, and gain drift  |
| DC Crosstalk <sup>4</sup>                            | 180                              | µV max           | Typically 20 µV; measured channel at midscale, full-scale change on any other channel                   |
| <b>REFERENCE INPUTS (VREF0, VREF1)<sup>2</sup></b>   |                                  |                  |   |
| VREF Input Current                                   | ±10                              | µA max           | Per input; typically ±30 nA   |
| VREF Range <sup>2</sup>                              | 2/5                              | V min/max        | ±2% for specified operation   |
| <b>SIGGND INPUT (SIGGND0 to SIGGND1)<sup>4</sup></b> |                                  |                  |   |
| DC Input Impedance                                   | 50                               | kΩ min           | Typically 55 kΩ   |
| Input Range  | ±0.5                             | V max            |   |
| SIGGND Gain  | 0.995/1.005                      | Min/max          |   |
| <b>OUTPUT CHARACTERISTICS<sup>2</sup></b>            |                                  |                  |   |
| Output Voltage Range                                 | $V_{SS} + 1.4$<br>$V_{DD} - 1.4$ | V min<br>V max   | $I_{LOAD} = 1\text{ mA}$<br>$I_{LOAD} = 1\text{ mA}$  |
| Nominal Output Voltage Range                         | -10 to +10                       | V nominal        |   |
| Short-Circuit Current                                | 15                               | mA max           | $V_{OUTx^3}$ to $DV_{CC}$ , $V_{DD}$ , or $V_{SS}$  |
| Load Current   | ±1                               | mA max           |   |
| Capacitive Load                                      | 2200                             | pF max           |   |
| DC Output Impedance                                  | 0.5                              | Ω max            |   |
| <b>MONITOR PIN (MON_OUT)<sup>4</sup></b>             |                                  |                  |   |
| Output Impedance                                     |                                  |                  |   |
| DAC Output at Positive Full-Scale                    | 1000                             | Ω typ            |   |
| DAC Output at Negative Full-Scale                    | 500                              | Ω typ            |   |
| Three-State Leakage Current                          | 100                              | nA typ           |   |
| Continuous Current Limit                             | 2                                | mA max           |   |
| <b>DIGITAL INPUTS</b>                                |                                  |                  |   |
| Input High Voltage                                   | 1.7<br>2.0                       | V min<br>V min   | JEDEC compliant<br>$DV_{CC} = 2.5\text{ V to }3.6\text{ V}$<br>$DV_{CC} = 3.6\text{ V to }5.5\text{ V}$ |
| Input Low Voltage                                    | 0.8                              | V max            | $DV_{CC} = 2.5\text{ V to }5.5\text{ V}$  |
| Input Current  | ±1<br>±20                        | µA max<br>µA max | RESET, SYNC, SDI, and SCLK pins<br>CLR, BIN/2SCOMP, and GPIO pins                                       |
| Input Capacitance <sup>4</sup>                       | 10                               | pF max           |   |

勝特力材料 886-3-5753170  
 勝特力电子(上海) 86-21-34970699  
 勝特力电子(深圳) 86-755-83298787  
[Http://www.100y.com.tw](http://www.100y.com.tw)



| Parameter                                      | B Version <sup>1</sup> | Unit                 | Test Conditions/Comments  |
|--|------------------------|----------------------|---|
| DIGITAL OUTPUTS (SDO, BUSY, GPIO, PEC)         |                        |                      |   |
| Output Low Voltage                             | 0.5                    | V max                | Sinking 200 $\mu$ A   |
| Output High Voltage (SDO)                      | DV <sub>CC</sub> – 0.5 | V min                | Sourcing 200 $\mu$ A  |
| High Impedance Leakage Current                 | $\pm 5$                | $\mu$ A max          | SDO only  |
| High Impedance Output Capacitance <sup>4</sup> | 10                     | pF typ               |   |
| TEMPERATURE SENSOR (TEMP_OUT) <sup>4</sup>     |                        |                      |   |
| Accuracy                                       | $\pm 1$                | $^{\circ}$ C typ     | @ 25 $^{\circ}$ C   |
|  | $\pm 5$                | $^{\circ}$ C typ     | –40 $^{\circ}$ C < T < +85 $^{\circ}$ C   |
| Output Voltage at 25 $^{\circ}$ C              | 1.46                   | V typ                |   |
| Output Voltage Scale Factor                    | 4.4                    | mV/ $^{\circ}$ C typ |   |
| Output Load Current                            | 200                    | $\mu$ A max          | Current source only   |
| Power-On Time                                  | 10                     | ms typ               | To within $\pm 5^{\circ}$ C   |
| POWER REQUIREMENTS                             |                        |                      |   |
| DV <sub>CC</sub>                               | 2.5/5.5                | V min/max            |   |
| V <sub>DD</sub>                                | 8/16.5                 | V min/max            |   |
| V <sub>SS</sub>                                | –4.5/–16.5             | V min/max            |   |
| Power Supply Sensitivity <sup>4</sup>          |                        |                      |   |
| $\Delta$ Full Scale/ $\Delta$ V <sub>DD</sub>  | –75                    | dB typ               |   |
| $\Delta$ Full Scale/ $\Delta$ V <sub>SS</sub>  | –75                    | dB typ               |   |
| $\Delta$ Full Scale/ $\Delta$ DV <sub>CC</sub> | –90                    | dB typ               |   |
| DI <sub>CC</sub>                               | 2                      | mA max               | V <sub>CC</sub> = 5.5 V, V <sub>IH</sub> = DV <sub>CC</sub> , V <sub>IL</sub> = GND |
| I <sub>DD</sub>                                | 10                     | mA max               | Outputs unloaded  |
| I <sub>SS</sub>                                | 10                     | mA max               | Outputs unloaded  |
| Power-Down Mode                                |                        |                      | Bit 0 in the Control Register is 1  |
| DI <sub>CC</sub>                               | 5                      | $\mu$ A typ          |   |
| I <sub>DD</sub>                                | 35                     | $\mu$ A typ          |   |
| I <sub>SS</sub>                                | –35                    | $\mu$ A typ          |   |
| Power Dissipation                              |                        |                      |   |
| Power Dissipation Unloaded (P)                 | 245                    | mW max               | V <sub>SS</sub> = –12 V, V <sub>DD</sub> = +12 V, DV <sub>CC</sub> = 2.5 V          |
| Junction Temperature                           | 130                    | $^{\circ}$ C max     | T <sub>J</sub> = T <sub>A</sub> + P <sub>TOTAL</sub> $\times$ $\theta_{JA}$         |

<sup>1</sup> Temperature range for B version: –40 $^{\circ}$ C to +85 $^{\circ}$ C. Typical specifications are at 25 $^{\circ}$ C.

<sup>2</sup> Specifications are guaranteed for a 5 V reference only.

<sup>3</sup> VOUT<sub>X</sub> refers to any of VOUT<sub>0</sub> to VOUT<sub>15</sub>.

<sup>4</sup> Guaranteed by design and characterization, not production tested.

## AC CHARACTERISTICS

DV<sub>CC</sub> = 2.5 V; V<sub>DD</sub> = 15 V; V<sub>SS</sub> = –15 V; V<sub>REF</sub> = 5 V; AGND = DGND = SIGGND = 0 V; C<sub>L</sub> = 200 pF; R<sub>L</sub> = 10 k $\Omega$ ; gain (M), offset (C), and DAC offset registers at default value; all specifications T<sub>MIN</sub> to T<sub>MAX</sub>, unless otherwise noted.

Table 2.

| Parameter                              | B Version <sup>1</sup> | Unit               | Test Conditions/Comments                                     |
|--|------------------------|--------------------|--|
| DYNAMIC PERFORMANCE <sup>1</sup>       |                        |                    |  |
| Output Voltage Settling Time           | 20                     | $\mu$ s typ        | Full-scale change  |
|  | 30                     | $\mu$ s max        | DAC latch contents alternately loaded with all 0s and all 1s |
| Slew Rate                              | 1                      | V/ $\mu$ s typ     |  |
| Digital-to-Analog Glitch Energy        | 5                      | nV-s typ           |  |
| Glitch Impulse Peak Amplitude          | 10                     | mV max             |  |
| Channel-to-Channel Isolation           | 100                    | dB typ             | VREF <sub>0</sub> , VREF <sub>1</sub> = 2 V p-p, 1 kHz       |
| DAC-to-DAC Crosstalk                   | 10                     | nV-s typ           |  |
| Digital Crosstalk                      | 0.2                    | nV-s typ           |  |
| Digital Feedthrough                    | 0.02                   | nV-s typ           | Effect of input bus activity on DAC output under test        |
| Output Noise Spectral Density @ 10 kHz | 250                    | nV/ $\sqrt$ Hz typ | VREF <sub>0</sub> = VREF <sub>1</sub> = 0 V                  |

<sup>1</sup> Guaranteed by design and characterization, not production tested.

# AD5360/AD5361

## TIMING CHARACTERISTICS

$DV_{CC} = 2.5\text{ V to }5.5\text{ V}$ ;  $V_{DD} = 9\text{ V to }16.5\text{ V}$ ;  $V_{SS} = -8\text{ V to }-16.5\text{ V}$ ;  $V_{REF} = 5\text{ V}$ ;  $AGND = DGND = SIGGND = 0\text{ V}$ ;  $C_L = 200\text{ pF to GND}$ ;  $R_L = \text{open circuit}$ ; gain (M), offset (C), and DAC offset registers at default values; all specifications  $T_{MIN}$  to  $T_{MAX}$ , unless otherwise noted.

Table 3. SPI Interface (See Figure 4 and Figure 5)

| Parameter <sup>1,2</sup> | Limit at $T_{MIN}$ , $T_{MAX}$ | Unit                  | Description  |
|--------------------------|--------------------------------|-----------------------|--|
| $t_1$                    | 20                             | ns min                | SCLK cycle time  |
| $t_2$                    | 8                              | ns min                | SCLK high time   |
| $t_3$                    | 8                              | ns min                | SCLK low time  |
| $t_4$                    | 11                             | ns min                | $\overline{SYNC}$ falling edge to SCLK falling edge setup time         |
| $t_5$                    | 20                             | ns min                | Minimum $\overline{SYNC}$ high time                                    |
| $t_6$                    | 10                             | ns min                | 24th SCLK falling edge to $\overline{SYNC}$ rising edge                |
| $t_7$                    | 5                              | ns min                | Data setup time  |
| $t_8$                    | 5                              | ns min                | Data hold time   |
| $t_9^3$                  | 42                             | ns max                | $\overline{SYNC}$ rising edge to $\overline{BUSY}$ falling edge        |
| $t_{10}$                 | 1/1.5                          | $\mu\text{s typ/max}$ | $\overline{BUSY}$ pulse width low (single-channel update); see Table 8 |
| $t_{11}$                 | 600                            | ns max                | Single-channel update cycle time                                       |
| $t_{12}$                 | 20                             | ns min                | $\overline{SYNC}$ rising edge to $\overline{LDAC}$ falling edge        |
| $t_{13}$                 | 10                             | ns min                | $\overline{LDAC}$ pulse width low                                      |
| $t_{14}$                 | 3                              | $\mu\text{s max}$     | $\overline{BUSY}$ rising edge to DAC output response time              |
| $t_{15}$                 | 0                              | ns min                | $\overline{BUSY}$ rising edge to $\overline{LDAC}$ falling edge        |
| $t_{16}$                 | 3                              | $\mu\text{s max}$     | $\overline{LDAC}$ falling edge to DAC output response time             |
| $t_{17}$                 | 20/30                          | $\mu\text{s typ/max}$ | DAC output settling time   |
| $t_{18}$                 | 140                            | ns max                | $\overline{CLR/RESET}$ pulse activation time                           |
| $t_{19}$                 | 30                             | ns min                | $\overline{RESET}$ pulse width low                                     |
| $t_{20}$                 | 400                            | $\mu\text{s max}$     | $\overline{RESET}$ time indicated by $\overline{BUSY}$ low             |
| $t_{21}$                 | 270                            | ns min                | Minimum $\overline{SYNC}$ high time in readback mode                   |
| $t_{22}^4$               | 25                             | ns max                | SCLK rising edge to SDO valid  |
| $t_{23}$                 | 80                             | ns max                | $\overline{RESET}$ rising edge to $\overline{BUSY}$ falling edge       |

<sup>1</sup> Guaranteed by design and characterization, not production tested.

<sup>2</sup> All input signals are specified with  $t_r = t_f = 2\text{ ns}$  (10% to 90% of  $DV_{CC}$ ) and timed from a voltage level of 1.2 V.

<sup>3</sup> This is measured with the load circuit shown in Figure 2.

<sup>4</sup> This is measured with the load circuit shown in Figure 3.

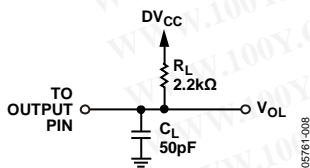


Figure 2. Load Circuit for  $\overline{BUSY}$  Timing Diagram

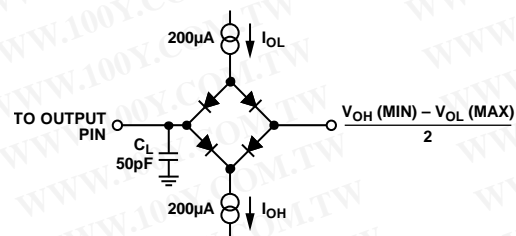
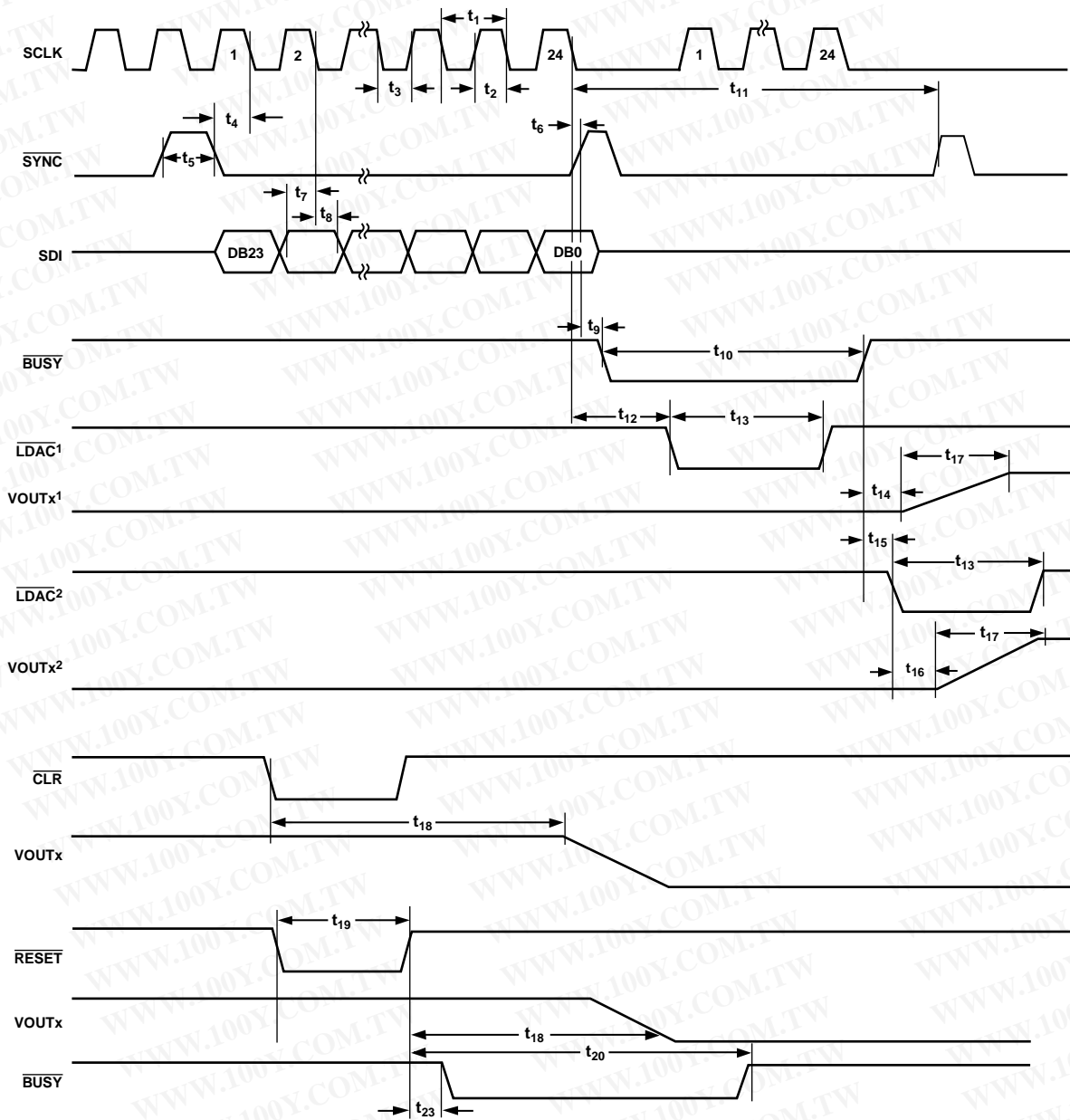


Figure 3. Load Circuit for SDO Timing Diagram

勝特力材料 886-3-5753170  
 勝特力电子(上海) 86-21-34970699  
 勝特力电子(深圳) 86-755-83298787  
[Http://www.100y.com.tw](http://www.100y.com.tw)



1 LDAC ACTIVE DURING BUSY.  
 2 LDAC ACTIVE AFTER BUSY.

Figure 4. SPI Write Timing

05761-010

勝特力材料 886-3-5753170  
 勝特力电子(上海) 86-21-34970699  
 勝特力电子(深圳) 86-755-83298787  
[Http://www.100y.com.tw](http://www.100y.com.tw)

# AD5360/AD5361

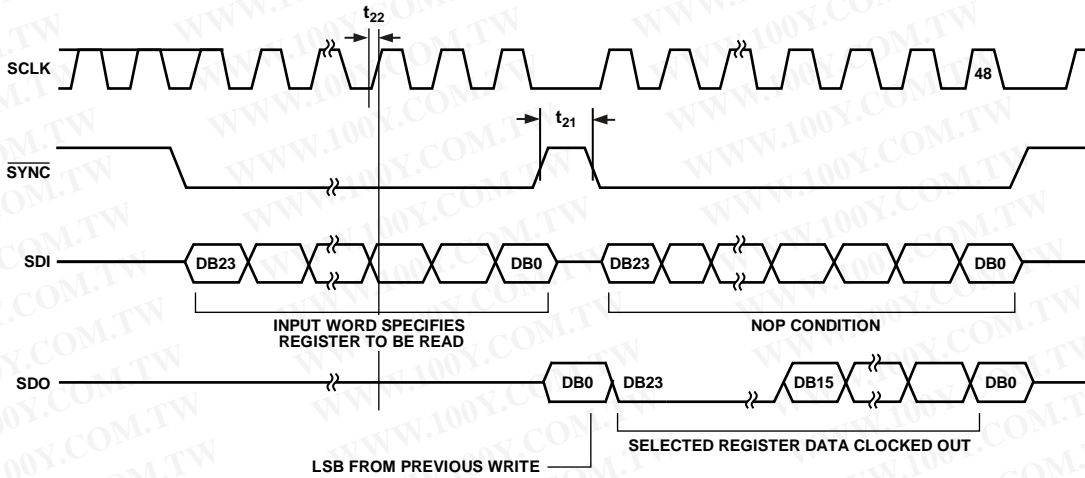


Figure 5. SPI Read Timing

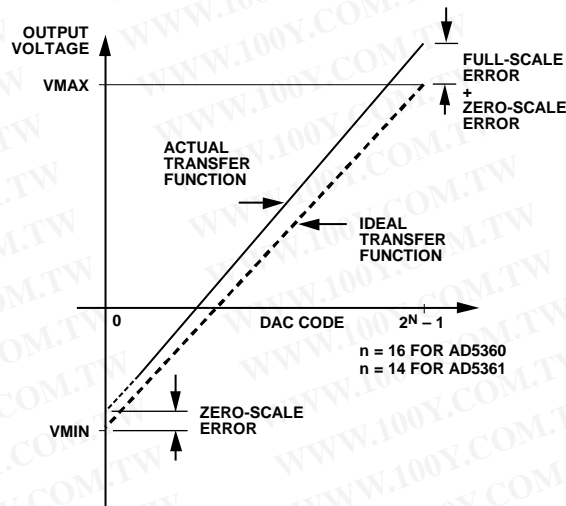


Figure 6. DAC Transfer Function

勝特力材料 886-3-5753170  
 勝特力电子(上海) 86-21-34970699  
 勝特力电子(深圳) 86-755-83298787  
[Http://www.100y.com.tw](http://www.100y.com.tw)



## ABSOLUTE MAXIMUM RATINGS

$T_A = 25^\circ\text{C}$ , unless otherwise noted. Transient currents of up to 60 mA do not cause SCR latch-up.

**Table 4.**

| Parameter                         | Rating                               |
|-----------------------------------|--------------------------------------|
| $V_{DD}$ to AGND                  | -0.3 V to +17 V                      |
| $V_{SS}$ to AGND                  | -17 V to +0.3 V                      |
| $DV_{CC}$ to DGND                 | -0.3 V to +7 V                       |
| Digital Inputs to DGND            | -0.3 V to $DV_{CC} + 0.3$ V          |
| Digital Outputs to DGND           | -0.3 V to $DV_{CC} + 0.3$ V          |
| VREF0, VREF1 to AGND              | -0.3 V to +5.5 V                     |
| VOUT0 to VOUT15 to AGND           | $V_{SS} - 0.3$ V to $V_{DD} + 0.3$ V |
| SIGGND0, SIGGND1 to AGND          | -1 V to +1 V                         |
| AGND to DGND                      | -0.3 V to +0.3 V                     |
| MON_IN0, MON_IN1, MON_OUT to AGND | $V_{SS} - 0.3$ V to $V_{DD} + 0.3$ V |
| Operating Temperature ( $T_A$ )   |                                      |
| Industrial (B Version)            | -40°C to +85°C                       |
| Storage                           | -65°C to +150°C                      |
| Junction ( $T_J$ max)             | 130°C                                |
| $\theta_{JA}$ Thermal Impedance   |                                      |
| 52-Lead LQFP                      | 38°C/W                               |
| 56-Lead LFCSP                     | 25°C/W                               |
| Reflow Soldering                  |                                      |
| Peak Temperature                  | 230°C                                |
| Time at Peak Temperature          | 10 sec to 40 sec                     |

Stresses above those listed under Absolute Maximum Ratings may cause permanent damage to the device. This is a stress rating only; functional operation of the device at these or any other conditions above those indicated in the operational section of this specification is not implied. Exposure to absolute maximum rating conditions for extended periods may affect device reliability.

### ESD CAUTION



**ESD (electrostatic discharge) sensitive device.** Charged devices and circuit boards can discharge without detection. Although this product features patented or proprietary protection circuitry, damage may occur on devices subjected to high energy ESD. Therefore, proper ESD precautions should be taken to avoid performance degradation or loss of functionality.

勝特力材料 886-3-5753170  
 勝特力电子(上海) 86-21-34970699  
 勝特力电子(深圳) 86-755-83298787  
[Http://www.100y.com.tw](http://www.100y.com.tw)

# AD5360/AD5361

## PIN CONFIGURATION AND FUNCTION DESCRIPTIONS

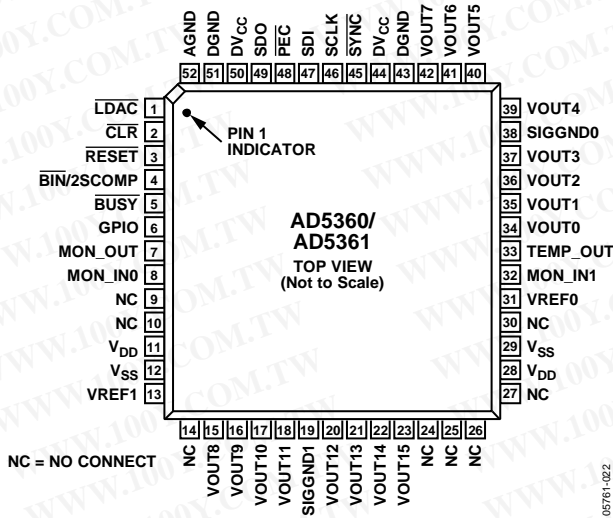


Figure 7. 52-Lead LQFP Pin Configuration

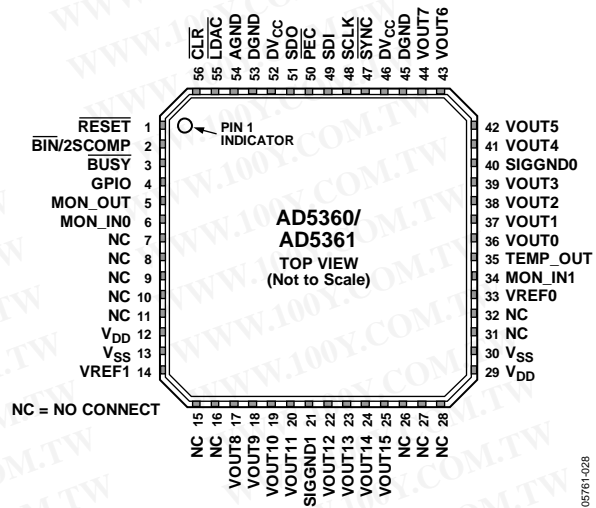


Figure 8. 56-Lead LFCSP Pin Configuration

Table 5. LQFP Pin Function Descriptions

| Pin No.                                |  | Mnemonic         | Description  |
|--|--|------------------|--|
| LQFP                                   | LFCSP                                  |                  |  |
| 1                                      | 55                                     | LDAC             | Load DAC Logic Input (Active Low). See the BUSY and LDAC Functions section for more information.   |
| 2                                      | 56                                     | CLR              | Asynchronous Clear Input (Level Sensitive, Active Low). See the Clear Function section for more information.   |
| 3                                      | 1                                      | RESET            | Digital Reset Input.   |
| 4                                      | 2                                      | BIN/2SCOMP       | Data Format Digital Input. Connecting this pin to DGND selects offset binary. Connecting this pin to logic 1 selects twos complement. This input has a weak pull-down.                                   |
| 5                                      | 3                                      | BUSY             | Digital Input/Open-Drain Output. BUSY is open drain when it is an output. See the BUSY and LDAC Functions section for more information.  |
| 6                                      | 4                                      | GPIO             | Digital I/O Pin. This pin can be configured as an input or output that can be read or programmed high or low via the serial interface. When configured as an input, it has a weak pull-down.             |
| 7                                      | 5                                      | MON_OUT          | Analog Multiplexer Output. Any DAC output, the MON_IN0 input, or the MON_IN1 input can be switched to this output.   |
| 8, 32                                  | 6, 34                                  | MON_IN0, MON_IN1 | Analog Multiplexer Inputs. Can be switched to MON_OUT.   |
| 9, 10, 14, 24, 25, 26, 27, 30          | 7 to 11, 15, 16, 26 to 28, 31, 32      | NC               | No Connect.  |
| 11, 28                                 | 12, 29                                 | V <sub>DD</sub>  | Positive Analog Power Supply; +9 V to +16.5 V for specified performance. These pins should be decoupled with 0.1 μF ceramic capacitors and 10 μF capacitors.   |
| 12, 29                                 | 13, 30                                 | V <sub>SS</sub>  | Negative Analog Power Supply; -16.5 V to -8 V for specified performance. These pins should be decoupled with 0.1 μF ceramic capacitors and 10 μF capacitors.   |
| 13                                     | 14                                     | VREF1            | Reference Input for DAC 8 to DAC 15. This voltage is referred to AGND.   |
| 19                                     | 21                                     | SIGGND1          | Reference Ground for DAC 8 to DAC 15. VOUT8 to VOUT15 are referenced to this voltage.  |
| 31                                     | 33                                     | VREF0            | Reference Input for DAC 0 to DAC 7. This voltage is referred to AGND.  |
| 33                                     | 35                                     | TEMP_OUT         | Provides an output voltage proportional to chip temperature. This is typically 1.46 V at 25°C with an output variation of 4.4 mV/°C.   |
| 34 to 37, 39 to 42, 15 to 18, 20 to 23 | 36 to 39, 41 to 44, 17 to 20, 22 to 25 | VOUT0 to VOUT15  | DAC Outputs. Buffered analog outputs for each of the 16 DAC channels. Each analog output is capable of driving an output load of 10 kΩ to ground. Typical output impedance of these amplifiers is 0.5 Ω. |

| Pin No. |        | Mnemonic                   | Description   |
|---------|--------|----------------------------|---|
| LQFP    | LFCSP  |                            |   |
| 38      | 40     | SIGGND0                    | Reference Ground for DAC 0 to DAC 7. VOUT0 to VOUT7 are referenced to this voltage.   |
| 43, 51  | 45, 53 | DGND                       | Ground for All Digital Circuitry. Both DGND pins should be connected to the DGND plane.   |
| 44, 50  | 46, 52 | DV <sub>cc</sub>           | Logic Power Supply; 2.5 V to 5.5 V. These pins should be decoupled with 0.1 $\mu$ F ceramic capacitors and 10 $\mu$ F capacitors.   |
| 45      | 47     | $\overline{\text{SYNC}}$   | Active Low or $\overline{\text{SYNC}}$ Input for SPI Interface. This is the frame synchronization signal for the SPI serial interface. See Figure 4, Figure 5, and the Serial Interface section for more details. |
| 46      | 48     | SCLK                       | Serial Clock Input for SPI Interface. See Figure 4, Figure 5, and the Serial Interface section for more details.  |
| 47      | 49     | SDI                        | Serial Data Input for SPI Interface. See Figure 4, Figure 5, and the Serial Interface section for more details.   |
| 48      | 50     | $\overline{\text{PEC}}$    | Packet Error Check Output. This is an open-drain output with a 50 k $\Omega$ pull-up that goes low if the packet error check fails.   |
| 49      | 51     | SDO                        | Serial Data Output for SPI Interface. See Figure 4, Figure 5, and the Serial Interface section for more details.  |
| 52      | 54     | AGND                       | Ground for All Analog Circuitry. The AGND pin should be connected to the AGND plane.  |
|         | EP     | Connect to V <sub>SS</sub> | Exposed Paddle.   |

勝特力材料 886-3-5753170  
 勝特力电子(上海) 86-21-34970699  
 勝特力电子(深圳) 86-755-83298787  
[Http://www.100y.com.tw](http://www.100y.com.tw)

TYPICAL PERFORMANCE CHARACTERISTICS

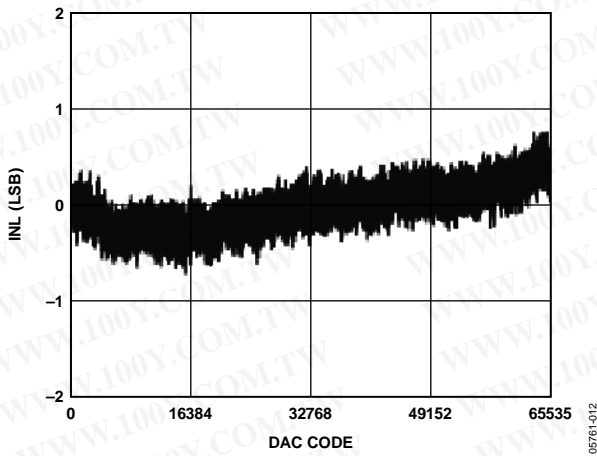


Figure 9. Typical AD5360 INL Plot

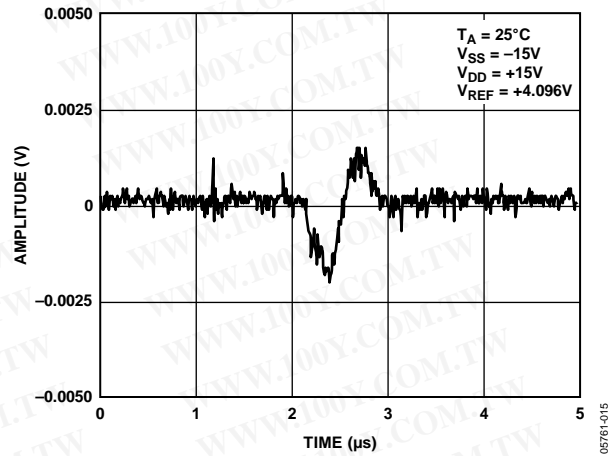


Figure 12. Digital Crosstalk

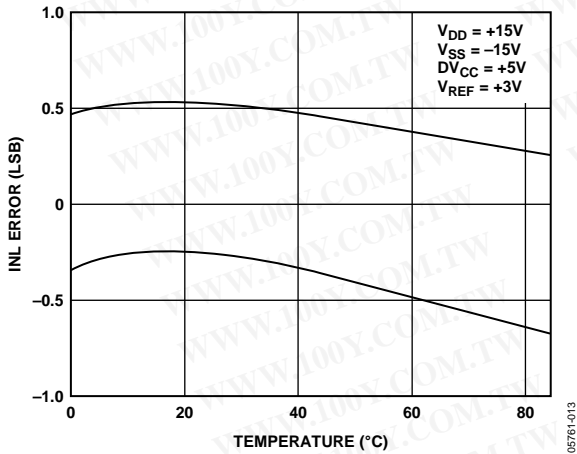


Figure 10. Typical INL Error vs. Temperature

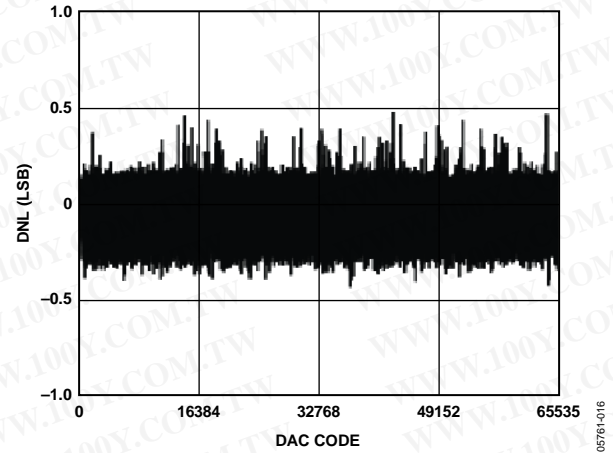


Figure 13. Typical AD5360 DNL Plot

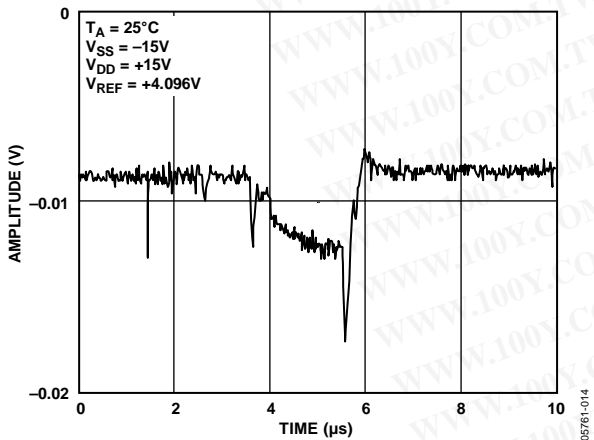


Figure 11. Analog Crosstalk Due to LDAC

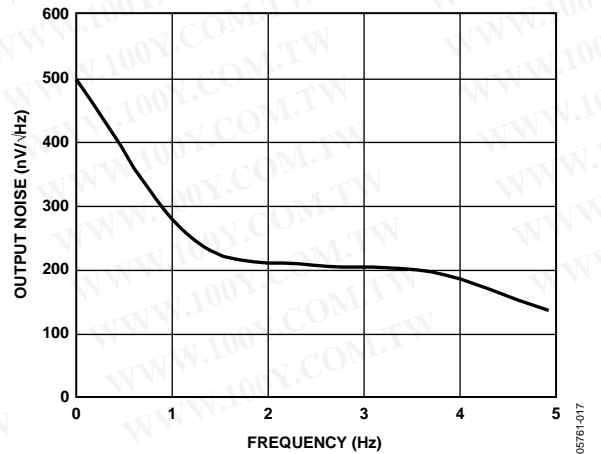


Figure 14. Noise Spectral Density



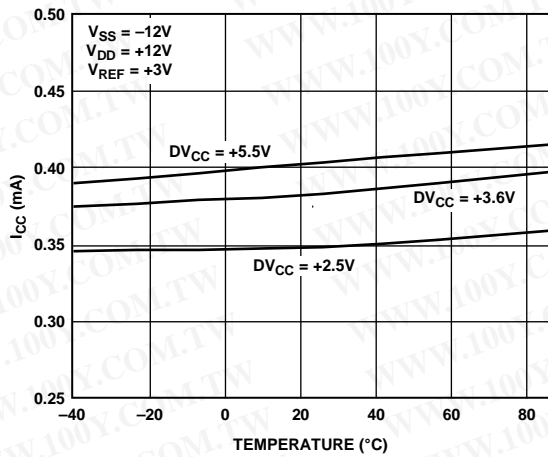


Figure 15.  $I_{CC}$  vs. Temperature

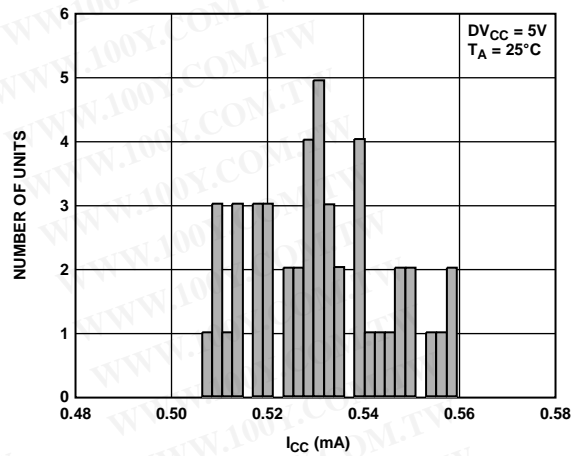


Figure 18. Typical  $I_{CC}$  Distribution

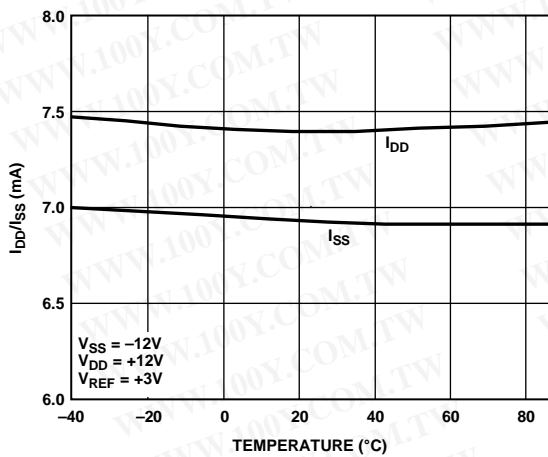


Figure 16.  $I_{DD}/I_{SS}$  vs. Temperature

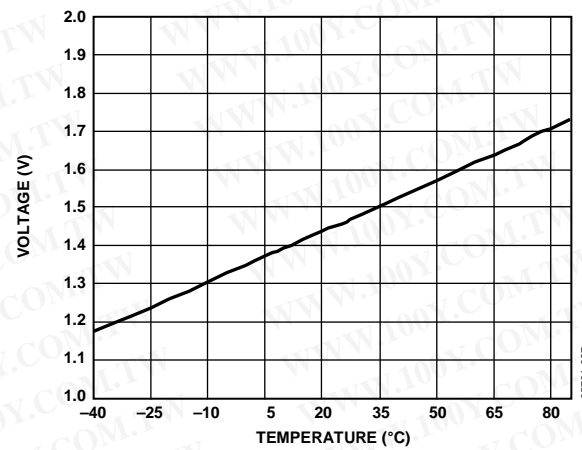


Figure 19.  $TEMP\_OUT$  Voltage vs. Temperature

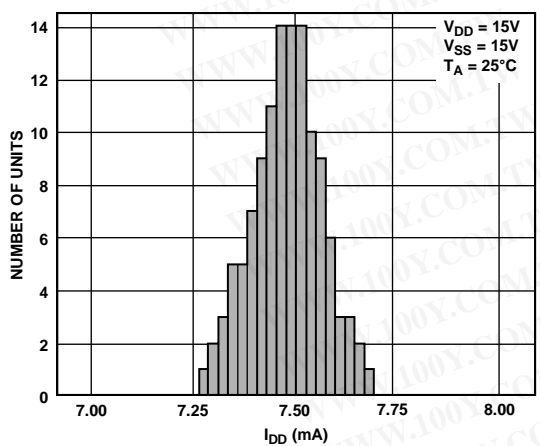


Figure 17. Typical  $I_{DD}$  Distribution

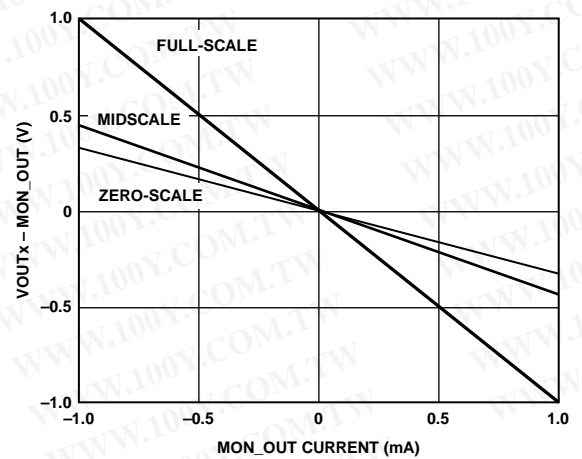


Figure 20.  $(V_{OUTx} - MON\_OUT)$  Voltage vs.  $MON\_OUT$  Current

勝特力材料 886-3-5753170  
 勝特力电子(上海) 86-21-34970699  
 勝特力电子(深圳) 86-755-83298787  
[Http://www.100y.com.tw](http://www.100y.com.tw)

## TERMINOLOGY

### Integral Nonlinearity (INL)

Integral nonlinearity, or relative accuracy, is a measure of the maximum deviation from a straight line passing through the endpoints of the DAC transfer function. It is measured after adjusting for zero-scale error and full-scale error and is expressed in least significant bits (LSB).

### Differential Nonlinearity (DNL)

Differential nonlinearity is the difference between the measured change and the ideal 1 LSB change between any two adjacent codes. A specified differential nonlinearity of 1 LSB maximum ensures monotonicity.

### Zero-Scale Error

Zero-scale error is the error in the DAC output voltage when all 0s are loaded into the DAC register.

Zero-scale error is a measure of the difference between V<sub>OUT</sub> (actual) and V<sub>OUT</sub> (ideal), expressed in millivolts, when the channel is at its minimum value. Zero-scale error is mainly due to offsets in the output amplifier.

### Full-Scale Error

Full-scale error is the error in DAC output voltage when all 1s are loaded into the DAC register.

Full-scale error is a measure of the difference between V<sub>OUT</sub> (actual) and V<sub>OUT</sub> (ideal), expressed in millivolts, when the channel is at its maximum value. It does not include zero-scale error.

### Gain Error

Gain error is the difference between full-scale error and zero-scale error. It is expressed in millivolts.

$$\text{Gain Error} = \text{Full-Scale Error} - \text{Zero-Scale Error}$$

### V<sub>OUT</sub> Temperature Coefficient

This includes output error contributions from linearity, offset, and gain drift.

### DC Output Impedance

DC output impedance is the effective output source resistance. It is dominated by package lead resistance.

### DC Crosstalk

The DAC outputs are buffered by op amps that share common V<sub>DD</sub> and V<sub>SS</sub> power supplies. If the dc load current changes in one channel (due to an update), this can result in a further dc change in one or more channel outputs. This effect is more significant at high load currents and reduces as the load currents are reduced. With high impedance loads, the effect is virtually immeasurable. Multiple V<sub>DD</sub> and V<sub>SS</sub> terminals are provided to minimize dc crosstalk.

### Output Voltage Settling Time

The amount of time it takes for the output of a DAC to settle to a specified level for a full-scale input change.

### Digital-to-Analog Glitch Energy

This is the amount of energy injected into the analog output at the major code transition. It is specified as the area of the glitch in nV-s. It is measured by toggling the DAC register data between 0x7FFF and 0x8000 (AD5360) or 0x1FFF and 0x2000 (AD5361).

### Channel-to-Channel Isolation

Channel-to-channel isolation refers to the proportion of input signal from the reference input of one DAC that appears at the output of another DAC operating from another reference. It is expressed in decibels and measured at midscale.

### DAC-to-DAC Crosstalk

DAC-to-DAC crosstalk is the glitch impulse that appears at the output of one converter due to both the digital change and subsequent analog output change at another converter. It is specified in nV-s.

### Digital Crosstalk

Digital crosstalk is defined as the glitch impulse transferred to the output of one converter due to a change in the DAC register code of another converter and is specified in nV-s.

### Digital Feedthrough

When the device is not selected, high frequency logic activity on the device's digital inputs can be capacitively coupled both across and through the device to show up as noise on the V<sub>OUTx</sub> pins. It can also be coupled along the supply and ground lines. This noise is digital feedthrough.

### Output Noise Spectral Density

Output noise spectral density is a measure of internally generated random noise. Random noise is characterized as a spectral density (voltage per  $\sqrt{\text{Hz}}$ ). It is measured by loading all DACs to midscale and measuring noise at the output. It is measured in nV/ $\sqrt{\text{Hz}}$ .

勝特力材料 886-3-5753170  
勝特力电子(上海) 86-21-34970699  
勝特力电子(深圳) 86-755-83298787  
[Http://www.100y.com.tw](http://www.100y.com.tw)

## FUNCTIONAL DESCRIPTION

### DAC ARCHITECTURE

The AD5360/AD5361 contain 16 DAC channels and 16 output amplifiers in a single package. The architecture of a single DAC channel consists of a 16-bit resistor-string DAC in the case of the AD5360 and a 14-bit DAC in the case of the AD5361, followed by an output buffer amplifier. The resistor-string section is simply a string of resistors, of equal value, from VREF0 or VREF1 to AGND. This type of architecture guarantees DAC monotonicity. The 16-/14-bit binary digital code loaded to the DAC register determines at which node on the string the voltage is tapped off before being fed into the output amplifier. The output amplifier multiplies the DAC output voltage by 4. The nominal output span is 12 V with a 3 V reference and 20 V with a 5 V reference.

### CHANNEL GROUPS

The 16 DAC channels of the AD5360/AD5361 are arranged into two groups of eight channels. The eight DACs of Group 0 derive their reference voltage from VREF0. Group 1 derives its reference voltage from VREF1. Each group has its own signal ground pin.

**Table 6. AD5360/AD5361 Registers**

| Register Name         | Word Length in Bits | Description  |
|-----------------------|---------------------|--|
| X1A (group) (channel) | 16 (14)             | Input Data Register A, one for each DAC channel.   |
| X1B (group) (channel) | 16 (14)             | Input Data Register B, one for each DAC channel.   |
| M (group) (channel)   | 16 (14)             | Gain trim register, one for each DAC channel.  |
| C (group) (channel)   | 16 (14)             | Offset trim register, one for each DAC channel.  |
| X2A (group) (channel) | 16 (14)             | Output Data Register A, one for each DAC channel. These registers store the final, calibrated DAC data after gain and offset trimming. They are not readable or directly writable. |
| X2B (group) (channel) | 16 (14)             | Output Data Register B, one for each DAC channel. These registers store the final, calibrated DAC data after gain and offset trimming. They are not readable or directly writable. |
| DAC (group) (channel) |                     | Data registers from which the DACs take their final input data. The DAC registers are updated from the X2A or X2B registers. They are not readable or directly writable.           |
| OFS0                  | 14                  | Offset DAC 0 data register, sets offset for Group 0.   |
| OFS1                  | 14                  | Offset DAC 1 data register, sets offset for Group 1.   |
| Control               | 5                   | Control register.  |
| Monitor               | 6                   | Monitor enable and configuration register.   |
| GPIO                  | 2                   | GPIO configuration register.   |

**Table 7. AD5360/AD5361 Input Register Default Values**

| Register Name                                 | AD5360 Default Value | AD5361 Default Value |
|---|----------------------|----------------------|
| X1A, X1B                                      | 0x8000               | 0x2000               |
| M   | 0xFFFF               | 0x3FFF               |
| C   | 0x8000               | 0x2000               |
| OFS0, OFS1                                    | 0x2000               | 0x2000               |
| Control                                       | 0x00                 | 0x00                 |
| $\bar{A}/B$ Select 0 and $\bar{A}/B$ Select 1 | 0x00                 | 0x00                 |

勝特力材料 886-3-5753170  
 勝特力电子(上海) 86-21-34970699  
 勝特力电子(深圳) 86-755-83298787  
[Http://www.100y.com.tw](http://www.100y.com.tw)



# AD5360/AD5361

## A/B REGISTERS GAIN/OFFSET ADJUSTMENT

Each DAC channel has seven data registers. The actual DAC data word can be written to either the X1A or X1B input register, depending on the setting of the  $\overline{A/B}$  bit in the control register. If the  $\overline{A/B}$  bit is 0, data is written to the X1A register. If the  $\overline{A/B}$  bit is 1, data is written to the X1B register. Note that this single bit is a global control and affects every DAC channel in the device. It is not possible to set up the device on a per-channel basis so that some writes are to the X1A register and some writes are to the X1B register.

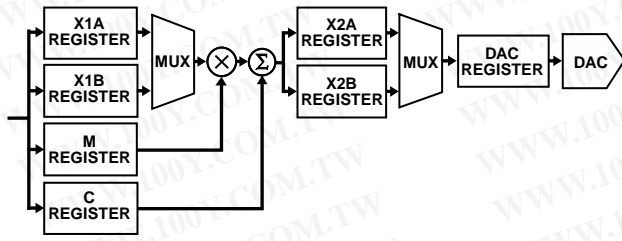


Figure 21. Data Registers Associated with Each DAC Channel

Each DAC channel also has a gain register (M) and an offset (C) register, which allow trimming out of the gain and offset errors of the entire signal chain. Data from the X1A register is operated on by a digital multiplier and adder by the contents of the M and C registers. The calibrated DAC data is then stored in the X2A register. Similarly, data from the X1B register is operated on by the multiplier and adder and stored in the X2B register.

Although a multiplier and adder symbol are shown for each channel, there is only one multiplier and one adder in the device, which are shared among all channels. This has implications for the update speed when several channels are updated at once, as described in the Register Update Rates section.

Each time data is written to the X1A register, or to the M or C register with the  $\overline{A/B}$  control bit set to 0, the X2A data is recalculated and the X2A register is automatically updated. Similarly, X2B is updated each time data is written to X1B, or to M or C with  $\overline{A/B}$  set to 1. The X2A and X2B registers are not readable or directly writable by the user.

Data output from the X2A and X2B registers is routed to the final DAC register by a multiplexer. An 8-bit  $\overline{A/B}$  select register associated with each group of eight DACs controls whether each individual DAC takes its data from the X2A or X2B register. If a bit in this register is 0, the DAC takes its data from the X2A register; if 1, the DAC takes its data from the X2B register (Bit 0 through Bit 7 control DAC 0 through DAC 7, respectively).

Note that because there are 16 bits in two registers, it is possible to set up, on a per-channel basis, whether each DAC takes its data from the X2A register or X2B register. A global command is also provided that sets all bits in the  $\overline{A/B}$  select registers to 0 or to 1.

All DACs in the AD5360/AD5361 can be updated simultaneously by taking  $\overline{LDAC}$  low, when each DAC register is updated from either its X2A or X2B register, depending on the setting of the  $\overline{A/B}$  select registers. The DAC register is not readable or directly writable by the user.

## OFFSET DACS

In addition to the gain and offset trim for each DAC, there are two 14-bit offset DACs, one for Group 0, and one for Group 1. These allow the output range of all DACs connected to them to be offset within a defined range. Thus, subject to the limitations of headroom, it is possible to set the output range of Group 0 and/or Group 1 to be unipolar positive, unipolar negative, or bipolar (either symmetrical or asymmetrical) about 0 V. The DACs in the AD5360/AD5361 are factory trimmed with the offset DACs set at their default values. This gives the best offset and gain performance for the default output range and span.

When the output range is adjusted by changing the value of the offset DAC, an extra offset is introduced due to the gain error of the offset DAC. The amount of offset is dependent on the magnitude of the reference and how much the offset DAC moves from its default value. This offset is shown in Table 1. The worst-case offset occurs when the offset DAC is at positive full scale or negative full scale. This value can be added to the offset present in the main DAC of a channel to give an indication of the overall offset for that channel. In most cases, the offset can be removed by programming the C register of the channel with an appropriate value. The extra offset caused by the offset DACs needs to be taken into account only when the offset DAC is changed from its default value. Figure 22 shows the allowable code range that can be loaded to the offset DAC, and this is dependent on the reference value used. Thus, for a 5 V reference, the offset DAC should not be programmed with a value greater than 8192 (0x2000).

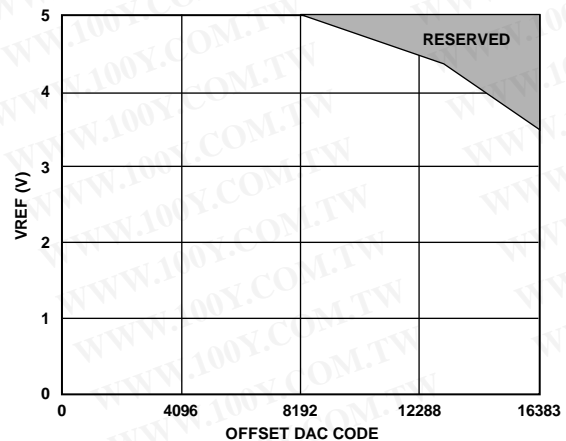


Figure 22. Offset DAC Code Range

勝特力材料 886-3-5753170  
勝特力电子(上海) 86-21-34970699  
勝特力电子(深圳) 86-755-83298787  
[Http://www.100y.com.tw](http://www.100y.com.tw)





# AD5360/AD5361

- Choose the new required  $V_{OUT\_MAX}$  and  $V_{OUT\_MIN}$ , keeping the  $V_{OUT}$  limits centered on the nominal values. Note that  $V_{DD}$  and  $V_{SS}$  must provide sufficient headroom.
- Calculate the value of  $V_{REF}$  as follows:  
$$V_{REF} = (V_{OUT\_MAX} - V_{OUT\_MIN})/4$$

## Reference Selection Example

Nominal output range = 20 V (–10 V to +10 V)

Offset error =  $\pm 100$  mV

Gain error =  $\pm 3\%$

$SIGGND = AGND = 0$  V

Gain error =  $\pm 3\%$

Maximum positive gain error =  $+3\%$

Output range including gain error =  $20 + 0.03(20) = 20.6$  V

Offset error =  $\pm 100$  mV

Maximum offset error span =  $2(100 \text{ mV}) = 0.2$  V

Output range including gain error and offset error =  $20.6 \text{ V} + 0.2 \text{ V} = 20.8$  V

$V_{REF}$  calculation

Actual output range = 20.6 V, that is, –10.3 V to +10.3 V (centered);

$$V_{REF} = (10.3 \text{ V} + 10.3 \text{ V})/4 = 5.15 \text{ V}$$

If the solution yields an inconvenient reference level, the user can adopt one of the following approaches:

- Use a resistor divider to divide down a convenient, higher reference level to the required level.
- Select a convenient reference level above  $V_{REF}$  and modify the gain and offset registers to digitally downsize the reference. In this way, the user can use almost any convenient reference level but may reduce the performance by overcompaction of the transfer function.
- Use a combination of these two approaches.

## CALIBRATION

The user can perform a system calibration on the AD5360 and AD5361 to reduce gain and offset errors to below 1 LSB. This is achieved by calculating new values for the M and C registers and reprogramming them.

### Reducing Zero-Scale and Full-Scale Error

Zero-scale error can be reduced as follows:

- Set the output to the lowest possible value.
- Measure the actual output voltage and compare it with the required value. This gives the zero-scale error.
- Calculate the number of LSBs equivalent to the error and add this from the default value of the C register. Note that only negative zero-scale error can be reduced.

Full-scale error can be reduced as follows:

- Measure the zero-scale error.
- Set the output to the highest possible value.
- Measure the actual output voltage and compare it with the required value. Add this error to the zero-scale error. This is the span error, which includes full-scale error.
- Calculate the number of LSBs equivalent to the span error and subtract it from the default value of the M register. Note that only positive full-scale error can be reduced.

The M and C registers should not be programmed until both zero-scale errors and full-scale errors have been calculated.

### AD5360 Calibration Example

This example assumes that a –10 V to +10 V output is required. The DAC output is set to –10 V but is measured at –10.03 V. This gives a zero-scale error of –30 mV.

$$1 \text{ LSB} = 20 \text{ V}/65,536 = 305.176 \mu\text{V}$$

$$30 \text{ mV} = 98 \text{ LSBs}$$

The full-scale error can now be removed. The output is set to +10 V, and a value of +10.02 V is measured. The full-scale error is +20 mV. The span error is  $+20 \text{ mV} - (-30 \text{ mV}) = +50 \text{ mV}$ .

$$+50 \text{ mV} = 164 \text{ LSBs}$$

The errors can now be removed.

- 98 LSBs should be added to the default C register value;  $(32,768 + 98) = 32,866$ .
- 32,866 should be programmed to the C register.
- 164 LSBs should be subtracted from the default M register value;  $(65,535 - 164) = 65,371$ .
- 65,371 should be programmed to the M register.

### Additional Calibration

The techniques described in the previous section are usually enough to reduce the zero-scale errors and full-scale errors in most applications. However, there are limitations whereby the errors may not be sufficiently removed. For example, the offset (C) register can only be used to reduce the offset caused by the negative zero-scale error. A positive offset cannot be reduced. Likewise, if the maximum voltage is below the ideal value, that is, a negative full-scale error, the gain (M) register cannot be used to increase the gain to compensate for the error.

These limitations can be overcome by increasing the reference value. With a 2.5 V reference, a 10 V span is achieved. The ideal voltage range, for the AD5360 or AD5361, is –5 V to +5 V. Using a 2.6 V reference increases the range to –5.2 V to +5.2 V. Clearly, in this case, the offset and gain errors are insignificant and the M and C registers can be used to raise the negative voltage to –5 V and then reduce the maximum voltage down to +5 V to give the most accurate values possible.

勝特力材料 886-3-5753170  
勝特力电子(上海) 86-21-34970699  
勝特力电子(深圳) 86-755-83298787  
[Http://www.100y.com.tw](http://www.100y.com.tw)



## RESET FUNCTION

The reset function is initiated by the  $\overline{\text{RESET}}$  pin. On the rising edge of  $\overline{\text{RESET}}$ , the AD5360/AD5361 state machine initiates a reset sequence to reset the X, M, and C registers to their default values. This sequence typically takes 300  $\mu\text{s}$ , and the user should not write to the part during this time. On power-up, it is recommended that the user bring  $\overline{\text{RESET}}$  high as soon as possible to properly initialize the registers.

When the reset sequence is complete (and provided that  $\overline{\text{CLR}}$  is high), the DAC output is at a potential specified by the default register settings, which are equivalent to SIGGNDx. The DAC outputs remain at SIGGNDx until the X, M, or C register is updated and  $\overline{\text{LDAC}}$  is taken low. The AD5360/AD5361 can be returned to the default state by pulsing  $\overline{\text{RESET}}$  low for at least 30 ns. Note that, because the reset function is rising edge triggered, bringing  $\overline{\text{RESET}}$  low has no effect on the operation of the AD5360/AD5361.

## CLEAR FUNCTION

$\overline{\text{CLR}}$  is an active low input that should be high for normal operation. The  $\overline{\text{CLR}}$  pin has an internal 500 k $\Omega$  pull-down resistor. When  $\overline{\text{CLR}}$  is low, the input to each of the DAC output buffer stages (VOUT0 to VOUT15) is switched to the externally set potential on the relevant SIGGNDx pin. While  $\overline{\text{CLR}}$  is low, all  $\overline{\text{LDAC}}$  pulses are ignored. When  $\overline{\text{CLR}}$  is taken high again, the DAC outputs return to their previous values. The contents of input registers and DAC Register 0 to DAC Register 15 are not affected by taking  $\overline{\text{CLR}}$  low. To prevent glitches appearing on the outputs,  $\overline{\text{CLR}}$  should be brought low whenever the output span is adjusted by writing to the offset DAC.

## BUSY AND LDAC FUNCTIONS

The value of an X2 (A or B) register is calculated each time the user writes new data to the corresponding X1, C, or M register. During the calculation of X2, the  $\overline{\text{BUSY}}$  output goes low. While  $\overline{\text{BUSY}}$  is low, the user can continue writing new data to the X1, M, or C register (see the Register Update Rates section for more details), but no DAC output updates can take place.

The  $\overline{\text{BUSY}}$  pin is bidirectional and has a 50 k $\Omega$  internal pull-up resistor. When multiple AD5360 or AD5361 devices may be used in one system, the  $\overline{\text{BUSY}}$  pins can be tied together. This is useful when it is required that no DAC in any device be updated until all other DACs are ready. When each device has finished updating the X2 (A or B) register, it releases the  $\overline{\text{BUSY}}$  pin. If another device has not finished updating its X2 registers, it holds  $\overline{\text{BUSY}}$  low, thus delaying the effect of  $\overline{\text{LDAC}}$  going low.

The DAC outputs are updated by taking the  $\overline{\text{LDAC}}$  input low. If  $\overline{\text{LDAC}}$  goes low while  $\overline{\text{BUSY}}$  is active, the  $\overline{\text{LDAC}}$  event is stored and the DAC outputs update immediately after  $\overline{\text{BUSY}}$  goes high. A user can also hold the  $\overline{\text{LDAC}}$  input permanently low. In this case, the DAC outputs update immediately after  $\overline{\text{BUSY}}$  goes

high. Whenever the  $\overline{\text{A/B}}$  select registers are written to,  $\overline{\text{BUSY}}$  also goes low, for approximately 600 ns.

The AD5360/AD5361 have flexible addressing that allows writing of data to a single channel, all channels in a group, the same channel in Group 0 and Group 1, or all channels in the device. This means that 1, 2, 8, or 16 DAC register values may need to be calculated and updated. Because there is only one multiplier shared among 16 channels, this task must be done sequentially, so the length of the  $\overline{\text{BUSY}}$  pulse varies according to the number of channels being updated.

**Table 8.  $\overline{\text{BUSY}}$  Pulse Widths**

| Action   | $\overline{\text{BUSY}}$ Pulse Width <sup>1</sup> |
|--|---|
| Loading Input, C, or M to 1 Channel <sup>2</sup> | 1.5 $\mu\text{s}$ maximum                         |
| Loading Input, C, or M to 2 Channels             | 2.1 $\mu\text{s}$ maximum                         |
| Loading Input, C, or M to 8 Channels             | 5.7 $\mu\text{s}$ maximum                         |
| Loading Input, C, or M to 16 Channels            | 10.5 $\mu\text{s}$ maximum                        |

<sup>1</sup>  $\overline{\text{BUSY}}$  pulse width = ((number of channels + 1)  $\times$  600 ns) + 300 ns.

<sup>2</sup> A single channel update is typically 1  $\mu\text{s}$ .

The AD5360/AD5361 contain an extra feature whereby a DAC register is not updated unless its X2A or X2B register has been written to since the last time  $\overline{\text{LDAC}}$  was brought low. Normally, when  $\overline{\text{LDAC}}$  is brought low, the DAC registers are filled with the contents of the X2A or X2B registers, depending on the setting of the  $\overline{\text{A/B}}$  select register. However, the AD5360/AD5361 update the DAC register only if the X2A or X2B data has changed, thereby removing unnecessary digital crosstalk.

## $\overline{\text{BIN}}/2\text{SCOMP}$ PIN

The  $\overline{\text{BIN}}/2\text{SCOMP}$  pin determines if the output data is presented as offset binary or twos complement. If this pin is low, the data is straight binary. If it is high, the data is twos complement. This affects only the X, C, and offset DAC registers; the M register and the control and command data are interpreted as straight binary.

## TEMPERATURE SENSOR

The on-chip temperature sensor provides a voltage output at the TEMP\_OUT pin that is linearly proportional to the Centigrade temperature scale. The typical accuracy of the temperature sensor is  $\pm 1^\circ\text{C}$  at  $+25^\circ\text{C}$  and  $\pm 5^\circ\text{C}$  over the  $-40^\circ\text{C}$  to  $+85^\circ\text{C}$  range. Its nominal output voltage is 1.46 V at  $+25^\circ\text{C}$ , varying at 4.4 mV/ $^\circ\text{C}$ . Its low output impedance, low self-heating, and linear output simplify interfacing to temperature control circuitry and analog-to-digital converters.

勝特力材料 886-3-5753170  
 勝特力电子(上海) 86-21-34970699  
 勝特力电子(深圳) 86-755-83298787  
[Http://www.100y.com.tw](http://www.100y.com.tw)

# AD5360/AD5361

## MONITOR FUNCTION

The AD5360/AD5361 contain a channel monitor function that consists of an analog multiplexer addressed via the serial interface, allowing any channel output to be routed to this pin for monitoring using an external ADC. In addition, two monitor inputs, MON\_IN0 and MON\_IN1, are provided, which can also be routed to MON\_OUT. The monitor function is controlled by the monitor register, which allows the monitor output to be enabled or disabled, and selection of a DAC channel or one of the monitor pins. When disabled, the monitor output is high impedance, so several monitor outputs can be connected in parallel and only one enabled at a time. Table 9 shows the control register settings relevant to the monitor function.

**Table 9. Control Register Monitor Functions**

| F5 | F4 | F3 | F2 | F1 | F0 | Function          |
|----|----|----|----|----|----|-------------------|
| 0  | X  | X  | X  | X  | X  | MON_OUT disabled  |
| 1  | X  | X  | X  | X  | X  | MON_OUT enabled   |
| 1  | 0  | 0  | 0  | 0  | 0  | MON_OUT = VOUT0   |
| 1  | 0  | 0  | 0  | 0  | 1  | MON_OUT = VOUT1   |
| 1  | 0  | 1  | 1  | 1  | 1  | MON_OUT = VOUT15  |
| 1  | 1  | 0  | 0  | 0  | 0  | MON_OUT = MON_IN0 |
| 1  | 1  | 0  | 0  | 0  | 1  | MON_OUT = MON_IN1 |

The multiplexer is implemented as a series of analog switches. Because this could conceivably cause a large amount of current to flow from the input of the multiplexer, that is, VOUTx or MON\_INx to the output of the multiplexer, MON\_OUT, care should be taken to ensure that whatever is connected to the MON\_OUT pin is of high enough impedance to prevent the continuous current limit specification from being exceeded. Because the MON\_OUT pin is not buffered, the amount of current drawn from this pin creates a voltage drop across the switches, which in turn leads to an error in the voltage being monitored. Where accuracy is important, it is recommended that the MON\_OUT pin be buffered. Figure 20 shows the typical error due to the MON\_OUT current

## GPIO PIN

The AD5360/AD5361 have a general-purpose I/O pin, GPIO. This can be configured as an input or an output and read back or programmed (when configured as an output) via the serial interface. Typical applications for this pin include monitoring the status of a logic signal, monitoring a limit switch, or controlling an external multiplexer. The GPIO pin is configured by writing to the GPIO register, which has the special function code of 001101 (see Table 14 and Table 15). When Bit F1 is set, the GPIO pin becomes an output and F0 determines whether the pin is high or low. The GPIO pin can be set as an input by writing 0 to both F1 and F0. The status of the GPIO pin can be determined by initiating a read operation using the appropriate bits in Table 16. The status of the pin is indicated by the LSB of the register read.

## POWER-DOWN MODE

The AD5360/AD5361 can be powered down by setting Bit 0 in the control register to 1. This turns off the DACs, thus reducing the current consumption. The DAC outputs are connected to their respective SIGGND potentials. The power-down mode does not change the contents of the registers, and the DACs return to their previous voltage when the power-down bit is cleared to 0.

## THERMAL MONITORING FUNCTION

The AD5360/AD5361 can be programmed to power down the DACs if the temperature on the die exceeds 130°C. Setting Bit 1 in the control register to 1 (see Table 15) enables this function. If the die temperature exceeds 130°C, the AD5360/AD5361 enter a temperature power-down mode, which is equivalent to setting the power-down bit in the control register. To indicate that the AD5360/AD5361 have entered temperature shutdown mode, Bit 4 of the control register is set to 1. The AD5360/AD5361 remain in temperature shutdown mode, even if the die temperature falls, until Bit 1 in the control register is cleared to 0.

## TOGGLE MODE

The AD5360/AD5361 have two X2 registers per channel, X2A and X2B, which can be used to switch the DAC output between two levels with ease. This approach greatly reduces the overhead required by a microprocessor, which would otherwise have to write to each channel individually. When the user writes to either the X1A, X2A, M, or C register, the calculation engine takes a certain amount of time to calculate the appropriate X2A or X2B values. If the application only requires that the DAC output switch between two levels, such as a data generator, any method that reduces the amount of calculation time encountered is advantageous. For the data generator example, the user should set the high and low levels for each channel once, by writing to the X1A and X1B registers. The values of X2A and X2B are calculated and stored in their respective registers. The calculation delay, therefore, only happens during the setup phase, that is, when programming the initial values. To toggle a DAC output between the two levels, it is only required to write to the relevant A/B select register to set the MUX 2 register bit. Furthermore, because there are eight MUX 2 control bits per register, it is possible to update eight channels with a single write. Table 17 shows the bits that correspond to each DAC output.

勝特力材料 886-3-5753170  
勝特力电子(上海) 86-21-34970699  
勝特力电子(深圳) 86-755-83298787  
[Http://www.100y.com.tw](http://www.100y.com.tw)



## SERIAL INTERFACE

The AD5360/AD5361 contain a high speed SPI operating at clock frequencies up to 50 MHz (20 MHz for read operations). To minimize both the power consumption of the device and on-chip digital noise, the interface powers up fully only when the device is being written to, that is, on the falling edge of  $\overline{\text{SYNC}}$ . The serial interface is 2.5 V LVTTTL-compatible when operating from a 2.5 V to 3.6 V  $\text{DV}_{\text{CC}}$  supply. It is controlled by four pins:  $\overline{\text{SYNC}}$  (frame synchronization input), SDI (serial data input), SCLK (clocking of data in and out of the device), and SDO (serial data output for data readback).

### SPI WRITE MODE

The AD5360/AD5361 allow writing of data via the serial interface to every register directly accessible to the serial interface, which are all registers except the X2A, X2B, and DAC registers. The X2A and X2B registers are updated when writing to the X1A, X1B, M, and C registers, and the DAC registers are updated by  $\overline{\text{LDAC}}$ . The serial word (see Table 10 or Table 11) is 24 bits long; 16 or 14 of these bits are data bits, six bits are address bits, and two bits are mode bits that determine what is done with the data. Two bits are reserved on the AD5361.

The serial interface works with both a continuous and a burst (gated) serial clock. Serial data applied to SDI is clocked into the AD5360/AD5361 by clock pulses applied to SCLK. The first falling edge of  $\overline{\text{SYNC}}$  starts the write cycle. At least 24 falling clock edges must be applied to SCLK to clock in 24 bits of data, before  $\overline{\text{SYNC}}$  is taken high again. If  $\overline{\text{SYNC}}$  is taken high before the 24th falling clock edge, the write operation is aborted.

If a continuous clock is used,  $\overline{\text{SYNC}}$  must be taken high before the 25th falling clock edge. This inhibits the clock within the AD5360/AD5361. If more than 24 falling clock edges are applied before  $\overline{\text{SYNC}}$  is taken high again, the input data is corrupted. If an externally gated clock of exactly 24 pulses is used,  $\overline{\text{SYNC}}$  may be taken high any time after the 24th falling clock edge.

The input register addressed is updated on the rising edge of  $\overline{\text{SYNC}}$ . For another serial transfer to take place,  $\overline{\text{SYNC}}$  must be taken low again.

**Table 10. AD5360 Serial Word Bit Assignment**

| I23 | I22 | I21 | I20 | I19 | I18 | I17 | I16 | I15 | I14 | I13 | I12 | I11 | I10 | I9 | I8 | I7 | I6 | I5 | I4 | I3 | I2 | I1 | I0 |
|-----|-----|-----|-----|-----|-----|-----|-----|-----|-----|-----|-----|-----|-----|----|----|----|----|----|----|----|----|----|----|
| M1  | M0  | A5  | A4  | A3  | A2  | A1  | A0  | D15 | D14 | D13 | D12 | D11 | D10 | D9 | D8 | D7 | D6 | D5 | D4 | D3 | D2 | D1 | D0 |

**Table 11. AD5361 Serial Word Bit Assignment**

| I23 | I22 | I21 | I20 | I19 | I18 | I17 | I16 | I15 | I14 | I13 | I12 | I11 | I10 | I9 | I8 | I7 | I6 | I5 | I4 | I3 | I2 | I1 <sup>1</sup> | I0 <sup>1</sup> |
|-----|-----|-----|-----|-----|-----|-----|-----|-----|-----|-----|-----|-----|-----|----|----|----|----|----|----|----|----|-----------------|-----------------|
| M1  | M0  | A5  | A4  | A3  | A2  | A1  | A0  | D13 | D12 | D11 | D10 | D9  | D8  | D7 | D6 | D5 | D4 | D3 | D2 | D1 | D0 | 0               | 0               |

<sup>1</sup> I1 and I0 are reserved for future use and should be 0 when writing the serial word. These bits read back as 0.

勝特力材料 886-3-5753170  
 勝特力电子(上海) 86-21-34970699  
 勝特力电子(深圳) 86-755-83298787  
[Http://www.100y.com.tw](http://www.100y.com.tw)

# AD5360/AD5361

## SPI READBACK MODE

The AD5360/AD5361 allow data readback via the serial interface from every register directly accessible to the serial interface, which is all registers except the X2A, X2B, and DAC data registers. To read back a register, it is first necessary to tell the AD5360/AD5361 which register is to be read. This is achieved by writing a word whose first two bits are the Special Function Code 00 to the device. The remaining bits then determine if the operation is a readback and which register is to be read back, or if it is a write to of the special function registers, such as the control register.

If a readback command is written to a special function register, data from the selected register is clocked out of the SDO pin during the next SPI operation. The SDO pin is normally three-stated but becomes driven as soon as a read command is issued. The pin remains driven until the register's data is clocked out. See Figure 5 for the read timing diagram. Note that, due to the timing requirements of  $t_{22}$  (25 ns), the maximum speed of the SPI interface during a read operation should not exceed 20 MHz.

## REGISTER UPDATE RATES

The value of the X2A or X2B register is calculated each time the user writes new data to the corresponding X1, C, or M register. The calculation is performed by a three-stage process. The first two stages take approximately 600 ns each, and the third stage takes approximately 300 ns. When the write to a X1, C, or M register is complete, the calculation process begins. If the write operation involves the update of a single DAC channel, the user is free to write to another register provided that the write operation does not finish until the first stage calculation is complete, that is, 600 ns after the completion of the first write operation. If a group of channels is being updated by a single write operation, the first stage calculation is repeated for each channel, taking 600 ns per channel. In this case, the user should not complete the next write operation until this time has elapsed.

## PACKET ERROR CHECKING

To verify that data has been received correctly in noisy environments, the AD5360/AD5361 offer the option of error checking based on an 8-bit (CRC-8) cyclic redundancy check. The device controlling the AD5360/AD5361 should generate an 8-bit checksum using the polynomial  $C(x) = x^8 + x^2 + x^1 + 1$ . The checksum is added to the end of the data word, and 32 data bits are sent to the AD5360/AD5361 before taking SYNC high. If the AD5360/AD5361 see a 32-bit data frame, they perform the error check when SYNC goes high. If the checksum is valid, the data is written to the selected register. If the checksum is invalid, the data is ignored, the packet error check output (PEC) goes low, and Bit 3 of the control register is set. After reading the control register, the error flag is cleared automatically and PEC goes high again.

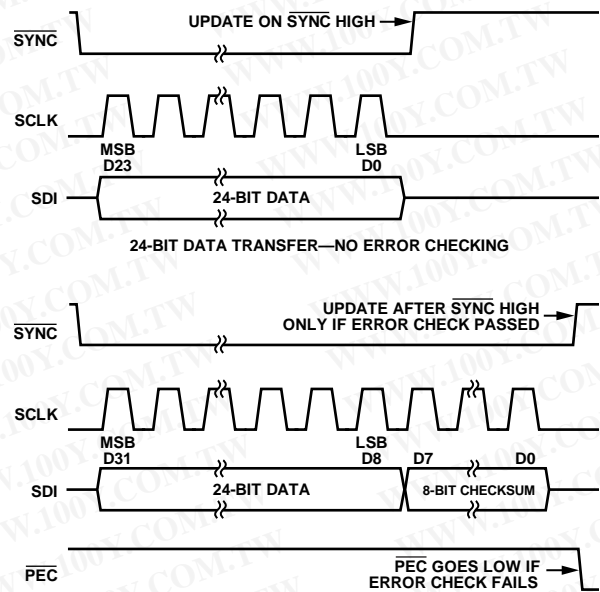


Figure 24. SPI Write with and Without Error Checking

勝特力材料 886-3-5753170  
勝特力电子(上海) 86-21-34970699  
勝特力电子(深圳) 86-755-83298787  
[Http://www.100y.com.tw](http://www.100y.com.tw)

## CHANNEL ADDRESSING AND SPECIAL MODES

If the mode bits are not 00, then the data word D15 to D0 (AD5360) or D13 to D0 (AD5361) is written to the device.

Address Bit A4 to Address Bit A0 determine which channel or channels is/are written to, while the mode bits determine to which register (X1A, X1B, C, or M) the data is written, as shown in Table 10 and Table 11. Data is to be written to the X1A when the  $\bar{A}/B$  bit in the control register is 0 or to the X1B register when the bit is 1.

The AD5360/AD5361 have very flexible addressing that allows writing of data to a single channel, all channels in a group, the same channel in Group 0 and Group 1 or all channels in the

device. Table 13 shows all these address modes. It shows which group(s) and which channel(s) is/are addressed for every combination of Address Bit A4 to Address Bit A0.

**Table 12. Mode Bits**

| M1 | M0 | Action  |
|----|----|---|
| 1  | 1  | Write DAC data (X) register                                     |
| 1  | 0  | Write DAC offset (C) register                                   |
| 0  | 1  | Write DAC gain (M) register                                     |
| 0  | 0  | Special function, used in combination with other bits of a word |

**Table 13. Group and Channel Addressing**

| Address Bit A2 to Address Bit A0 | Address Bit A4 to Address Bit A3 |                    |                    |        |
|----------------------------------|----------------------------------|--------------------|--------------------|--------|
|                                  | 00                               | 01                 | 10                 | 11     |
| 000                              | All groups, all channels         | Group 0, Channel 0 | Group 1, Channel 0 | Unused |
| 001                              | Group 0, all channels            | Group 0, Channel 1 | Group 1, Channel 1 | Unused |
| 010                              | Group 1, all channels            | Group 0, Channel 2 | Group 1, Channel 2 | Unused |
| 011                              | Unused                           | Group 0, Channel 3 | Group 1, Channel 3 | Unused |
| 100                              | Unused                           | Group 0, Channel 4 | Group 1, Channel 4 | Unused |
| 101                              | Unused                           | Group 0, Channel 5 | Group 1, Channel 5 | Unused |
| 110                              | Unused                           | Group 0, Channel 6 | Group 1, Channel 6 | Unused |
| 111                              | Unused                           | Group 0, Channel 7 | Group 1, Channel 7 | Unused |

勝特力材料 886-3-5753170  
 勝特力电子(上海) 86-21-34970699  
 勝特力电子(深圳) 86-755-83298787  
[Http://www.100y.com.tw](http://www.100y.com.tw)



# AD5360/AD5361

## SPECIAL FUNCTION MODE

If the mode bits are 00, then the special function mode is selected, as shown in Table 14. Bits I21 to I16 of the serial data word select the special function, while the remaining bits are

data required for execution of the special function, for example the channel address for data readback.

The codes for the special functions in Table 16 show the addresses for data readback.

Table 14. Special Function Mode

| I23 | I22 | I21 | I20 | I19 | I18 | I17 | I16 | I15 | I14 | I13 | I12 | I11 | I10 | I9 | I8 | I7 | I6 | I5 | I4 | I3 | I2 | I1 | I0 |
|-----|-----|-----|-----|-----|-----|-----|-----|-----|-----|-----|-----|-----|-----|----|----|----|----|----|----|----|----|----|----|
| 0   | 0   | S5  | S4  | S3  | S2  | S1  | S0  | F15 | F14 | F13 | F12 | F11 | F10 | F9 | F8 | F7 | F6 | F5 | F4 | F3 | F2 | F1 | F0 |

Table 15. Special Function Codes

| Special Function Code |    |    |    |    |    | Data (F15 to F0)          | Action   |
|-----------------------|----|----|----|----|----|---------------------------|--|
| S5                    | S4 | S3 | S2 | S1 | S0 |                           |  |
| 0                     | 0  | 0  | 0  | 0  | 0  | 0000 0000 0000 0000       | NOP.   |
| 0                     | 0  | 0  | 0  | 0  | 1  | XXXX XXXX XXXX X [F2:F0]  | Write control register.<br>F4 = 1: temperature over 130°C.<br>F4 = 0: temperature under 130°C.<br>Read-only bit. This bit should be 0 when writing to the control register.<br>F3 = 1: PEC error.<br>F3 = 0: No PEC error. Reserved.<br>Read-only bit. This bit should be 0 when writing to the control register.<br>F2 = 1: select Register X1B for input.<br>F2 = 0: select Register X1A for input.<br>F1 = 1: enable temperature shutdown.<br>F1 = 0: disable temperature shutdown.<br>F0 = 1: soft power-down.<br>F0 = 0: soft power-up. |
| 0                     | 0  | 0  | 0  | 1  | 0  | XX [F13:F0]               | Write data in F13 to F0 to OFS0 register.  |
| 0                     | 0  | 0  | 0  | 1  | 1  | XX [F13:F0]               | Write data in F13 to F0 to OFS1 register.  |
| 0                     | 0  | 0  | 1  | 0  | 0  | Reserved                  |  |
| 0                     | 0  | 0  | 1  | 0  | 1  | See Table 16              | Select register for readback.  |
| 0                     | 0  | 0  | 1  | 1  | 0  | XXXX XXXX [F7:F0]         | Write data in F7 to F0 to $\bar{A}/B$ Select Register 0.   |
| 0                     | 0  | 0  | 1  | 1  | 1  | XXXX XXXX [F7:F0]         | Write data in F7 to F0 to $\bar{A}/B$ Select Register 1.   |
| 0                     | 0  | 1  | 0  | 0  | 0  | Reserved                  |  |
| 0                     | 0  | 1  | 0  | 0  | 1  | Reserved                  |  |
| 0                     | 0  | 1  | 0  | 1  | 0  | Reserved                  |  |
| 0                     | 0  | 1  | 0  | 1  | 1  | XXXX XXXX [F7:F0]         | Block write $\bar{A}/B$ select registers.<br>F7 to F0 = 0: write all 0s (all channels use X2A register).<br>F7 to F0 = 1: write all 1s (all channels use X2B register).  |
| 0                     | 0  | 1  | 1  | 0  | 0  | XXXX XXXX XX [F5:F0]      | F5 = 1: monitor enable.<br>F5 = 0: monitor disable.<br>F4 = 1: monitor input pin selected by F0.<br>F4 = 0: monitor DAC channel selected by F3:F0 (0000 = DAC0; 1111 = DAC15).<br>F3 = not used if F4 = 1.<br>F2 = not used if F4 = 1.<br>F1 = not used.<br>F0 = 0: MON_IN0 selected for monitoring (if F4 and F5 = 1).<br>F0 = 1: MON_IN1 selected for monitoring (if F4 and F5 = 1).   |
| 0                     | 0  | 1  | 1  | 0  | 1  | XXXX XXXX XXXX XX [F1:F0] | GPIO configure and write.<br>F1 = 1: GPIO is an output. Data to output is written to F0.<br>F1 = 0: GPIO is an input. Data can be read from F0 on readback.  |

Table 16. Address Codes for Data Readback<sup>1</sup>

| F15 | F14 | F13 | F12  | F11 | F10 | F9 | F8 | F7 | Register Read                       |
|-----|-----|-----|--|-----|-----|----|----|----|-------------------------------------|
| 0   | 0   | 0   | Bit F12 to Bit F7 select channel to be read back,<br>Channel 0 = 001000 to Channel 15 = 010111 |     |     |    |    |    | X1A Register                        |
| 0   | 0   | 1   |  |     |     |    |    |    | X1B Register                        |
| 0   | 1   | 0   |  |     |     |    |    |    | C Register                          |
| 0   | 1   | 1   |  |     |     |    |    |    | M Register                          |
| 1   | 0   | 0   | 0  | 0   | 0   | 0  | 0  | 1  | Control Register                    |
| 1   | 0   | 0   | 0  | 0   | 0   | 0  | 1  | 0  | OF50 Data Register                  |
| 1   | 0   | 0   | 0  | 0   | 0   | 0  | 1  | 1  | OF51 Data Register                  |
| 1   | 0   | 0   | 0  | 0   | 0   | 1  | 0  | 0  | Reserved                            |
| 1   | 0   | 0   | 0  | 0   | 0   | 1  | 1  | 0  | A/B Select Register 0               |
| 1   | 0   | 0   | 0  | 0   | 0   | 1  | 1  | 1  | A/B Select Register 1               |
| 1   | 0   | 0   | 0  | 0   | 1   | 0  | 0  | 0  | Reserved                            |
| 1   | 0   | 0   | 0  | 0   | 1   | 0  | 0  | 1  | Reserved                            |
| 1   | 0   | 0   | 0  | 0   | 1   | 0  | 1  | 0  | Reserved                            |
| 1   | 0   | 0   | 0  | 0   | 1   | 0  | 1  | 1  | GPIO Read (Data in F0) <sup>2</sup> |

<sup>1</sup> F6 to F0 are don't cares for the data readback function.

<sup>2</sup> F6 to F0 should be 0 for GPIO read.

Table 17. DACs Selected by A/B Select Registers

| A/B Select Register | Bits <sup>1</sup> |       |       |       |       |       |      |      |
|---------------------|-------------------|-------|-------|-------|-------|-------|------|------|
|                     | F7                | F6    | F5    | F4    | F3    | F2    | F1   | F0   |
| 0                   | DAC7              | DAC6  | DAC5  | DAC4  | DAC3  | DAC2  | DAC1 | DAC0 |
| 1                   | DAC15             | DAC14 | DAC13 | DAC12 | DAC11 | DAC10 | DAC9 | DAC8 |

<sup>1</sup> If the bit is 0, Register X2A is selected. If the bit is 1, Register X2B is selected.

## POWER SUPPLY DECOUPLING

In any circuit where accuracy is important, careful consideration of the power supply and ground return layout helps to ensure the rated performance. The printed circuit board on which the AD5360/AD5361 are mounted should be designed so that the analog and digital sections are separated and confined to certain areas of the board. If the AD5360/AD5361 are in a system where multiple devices require an AGND-to-DGND connection, the connection should be made at one point only. The star ground point should be established as close as possible to the device. For supplies with multiple pins ( $V_{SS}$ ,  $V_{DD}$ ,  $DV_{CC}$ ), it is recommended to tie these pins together and to decouple each supply once.

The AD5360/AD5361 should have ample supply decoupling of 10  $\mu$ F in parallel with 0.1  $\mu$ F on each supply located as close to the package as possible, ideally right up against the device. The 10  $\mu$ F capacitors are the tantalum bead type. The 0.1  $\mu$ F capacitor should have low effective series resistance (ESR) and effective series inductance (ESI), such as the common ceramic types that provide a low impedance path to ground at high frequencies, to handle transient currents due to internal logic switching.

Digital lines running under the device should be avoided because these couple noise onto the device. The analog ground plane should be allowed to run under the AD5360/AD5361 to avoid noise coupling. The power supply lines of the AD5360/AD5361 should use as large a trace as possible to provide low impedance paths and reduce the effects of glitches on the power

supply line. Fast switching digital signals should be shielded with digital ground to avoid radiating noise to other parts of the board and should never be run near the reference inputs. It is essential to minimize noise on all VREFx lines.

Avoid crossover of digital and analog signals. Traces on opposite sides of the board should run at right angles to each other. This reduces the effects of feedthrough through the board. A microstrip technique is by far the best, but this is not always possible with a double-sided board. In this technique, the component side of the board is dedicated to the ground plane, while signal traces are placed on the solder side.

As is the case for all thin packages, care must be taken to avoid flexing the package and to avoid a point load on the surface of this package during the assembly process.

## POWER SUPPLY SEQUENCING

When the supplies are connected to the AD5360/AD5361, it is important that the AGND and DGND pins be connected to the relevant ground plane before the positive or negative supplies are applied. In most applications, this is not an issue because the ground pins for the power supplies are connected to the ground pins of the AD5360/AD5361 via ground planes. Where the AD5360/AD5361 are used in a hot-swap card, care should be taken to ensure that the ground pins are connected to the supply grounds before the positive or negative supplies are connected. This is required to prevent currents from flowing in directions other than toward an analog or digital ground.

## INTERFACING EXAMPLES

The SPI interface of the AD5360 and AD5361 is designed to allow the parts to be easily connected to industry standard DSPs and microcontrollers. Figure 25 shows how the AD5360/AD5361 can be connected to the Analog Devices, Inc., Blackfin® DSP. The Blackfin has an integrated SPI port that can be connected directly to the SPI pins of the AD5360 or AD5361, and programmable I/O pins that can be used to set or read the state of the digital input or output pins associated with the interface.

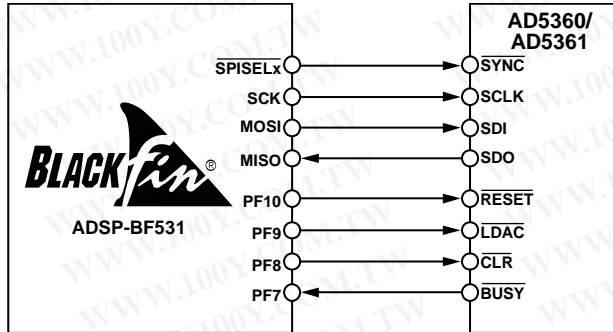


Figure 25. Interfacing to a Blackfin DSP

The Analog Devices ADSP-21065L is a floating-point DSP with two serial ports (SPORTs). Figure 26 shows how one SPORT can be used to control the AD5360 or AD5361. In this example, the transmit frame synchronization (TFS) pin is connected to the receive frame synchronization (RFS) pin. Similarly, the transmit and receive clocks (TCLK and RCLK) are also connected together. The user can write to the AD5360 or AD5361 by writing to the transmit register. A read operation can be accomplished by first writing to the AD5360/AD5361 to tell the part that a read operation is required. A second write operation with a NOP instruction causes the data to be read from the AD5360/AD5361. The DSPs receive interrupt can be used to indicate when the read operation is complete.

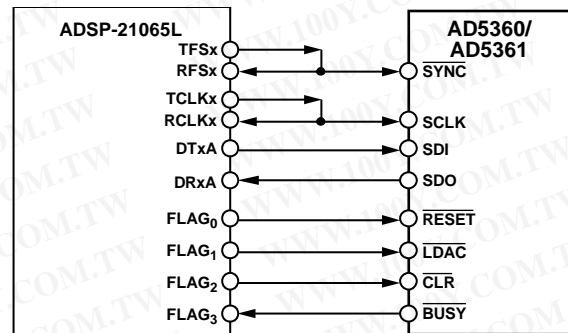
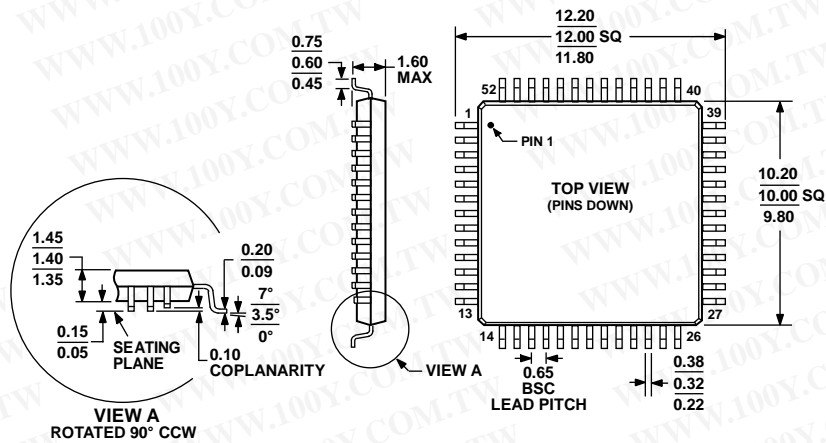


Figure 26. Interfacing to an ADSP-21065L DSP

勝特力材料 886-3-5753170  
 勝特力电子(上海) 86-21-34970699  
 勝特力电子(深圳) 86-755-83298787  
[Http://www.100y.com.tw](http://www.100y.com.tw)



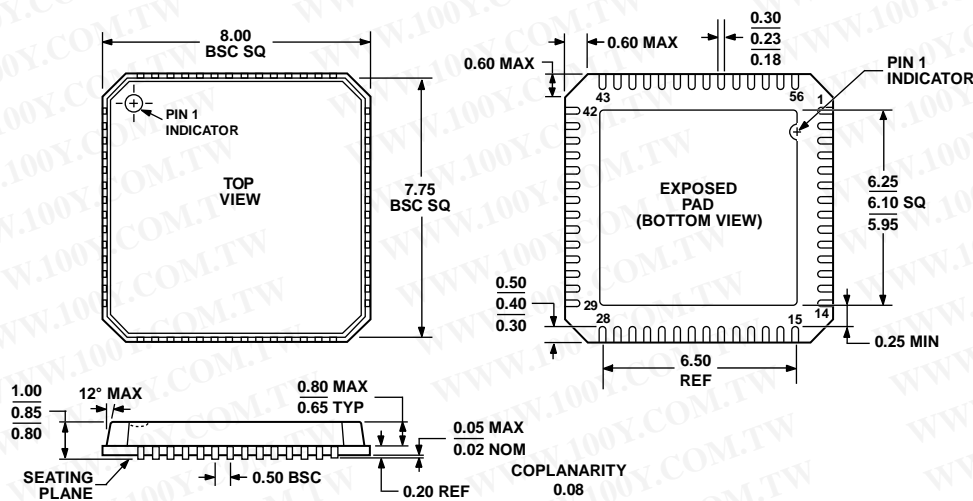
# OUTLINE DIMENSIONS



COMPLIANT TO JEDEC STANDARDS MS-026-BCC

Figure 27. 52-Lead Low Profile Quad Flat Package [LQFP] (ST-52)

Dimensions shown in millimeters



COMPLIANT TO JEDEC STANDARDS MO-220-VLLD-2

Figure 28. 56-Lead Lead Frame Chip Scale Package [LFCSP\_VQ] 8 mm x 8 mm, Very Thin Quad (CP-56-1)

Dimensions shown in millimeter

## ORDERING GUIDE

| Model                         | Temperature Range | Package Description                              | Package Option |
|-------------------------------|-------------------|--|----------------|
| AD5360BSTZ <sup>1</sup>       | -40°C to +85°C    | 52-Lead Low Profile Quad Flat Pack [LQFP]        | ST-52          |
| AD5360BSTZ-REEL <sup>1</sup>  | -40°C to +85°C    | 52-Lead Low Profile Quad Flat Pack [LQFP]        | ST-52          |
| AD5360BCPZ <sup>1</sup>       | -40°C to +85°C    | 56-Lead Lead Frame Chip Scale Package [LFCSP_VQ] | CP-56-1        |
| AD5360BCPZ-REEL7 <sup>1</sup> | -40°C to +85°C    | 56-Lead Lead Frame Chip Scale Package [LFCSP_VQ] | CP-56-1        |
| AD5361BSTZ <sup>1</sup>       | -40°C to +85°C    | 52-Lead Low Profile Quad Flat Pack [LQFP]        | ST-52          |
| AD5361BSTZ-REEL <sup>1</sup>  | -40°C to +85°C    | 52-Lead Low Profile Quad Flat Pack [LQFP]        | ST-52          |
| AD5361BCPZ <sup>1</sup>       | -40°C to +85°C    | 56-Lead Lead Frame Chip Scale Package [LFCSP_VQ] | CP-56-1        |
| AD5361BCPZ-REEL7 <sup>1</sup> | -40°C to +85°C    | 56-Lead Lead Frame Chip Scale Package [LFCSP_VQ] | CP-56-1        |
| EVAL-AD5360EBZ <sup>1</sup>   |                   | Evaluation Board                                 |                |
| EVAL-AD5361EBZ <sup>1</sup>   |                   | Evaluation Board                                 |                |

<sup>1</sup> Z = RoHS Compliant Part.

勝特力材料 886-3-5753170  
 勝特力电子(上海) 86-21-34970699  
 勝特力电子(深圳) 86-755-83298787  
[Http://www.100y.com.tw](http://www.100y.com.tw)

# AD5360/AD5361

## NOTES

勝特力材料 886-3-5753170  
勝特力电子(上海) 86-21-34970699  
勝特力电子(深圳) 86-755-83298787  
[Http://www.100y.com.tw](http://www.100y.com.tw)