



Dual, 8-Bit, Programmable, 30mA High-Output-Current DAC

General Description

The MAX5548 dual, 8-bit, digital-to-analog converter (DAC) features high-output-current capability. The MAX5548 sources up to 30mA per DAC, making it ideal for PIN diode biasing applications. Outputs can also be paralleled for high-current applications (up to 60mA typ). Operating from a single +2.7V to +5.25V supply, the MAX5548 typically consumes 1.5mA per DAC in normal operation and less than 1 μ A (max) in shutdown mode. The MAX5548 also features low output leakage current in shutdown mode ($\pm 1\mu$ A max) that is essential to ensure that the external PIN diodes are off.

Additional features include an integrated +1.25V bandgap reference, and a control amplifier to ensure high accuracy and low-noise performance. A separate reference input (REFIN) allows for the use of an external reference source, such as the MAX6126, for improved gain accuracy. A pin-selectable I²C-/SPI™-compatible serial interface provides optimum flexibility for the MAX5548. The maximum programmable output current value is set using software and an adjustment resistor.

The MAX5548 is available in a 3mm x 3mm, 16-pin, thin QFN package, and is specified over the extended (-40°C to +85°C) temperature range.

Applications

PIN Diode Biasing
 RF Attenuator Control
 VCO Tuning

Features

- ◆ Pin-Selectable I²C- or SPI-Compatible Interface
- ◆ Guaranteed Low Output Leakage Current in Shutdown ($\pm 1\mu$ A max)
- ◆ Guaranteed Monotonic over Extended Temperature Range
- ◆ Dual Outputs for Balanced Systems
- ◆ Current Outputs Source Up to 30mA per DAC
- ◆ Parallelable Outputs for 60mA Applications
- ◆ Output Stable with RF Filters
- ◆ Internal or External Reference Capability
- ◆ Digital Output (DOUT) Available for Daisy Chaining in SPI Mode
- ◆ +2.7V to +5.25V Single-Supply Operation
- ◆ 16-Pin (3mm x 3mm) Thin QFN Package
- ◆ Programmable Output Current Range Set by Software and Adjustment Resistor

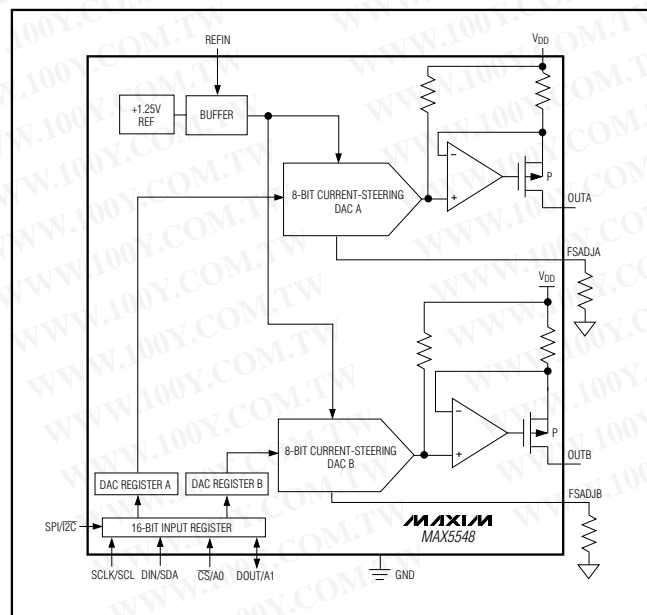
Ordering Information

| PART | PIN-PACKAGE | PKG CODE | TOP MARK |
|------------|-----------------|----------|----------|
| MAX5548ETE | 16 Thin QFN-EP* | T1633F-3 | ACY |

*EP = Exposed paddle.

Note: Device is specified over the -40°C to +85°C operating range.

Functional Diagram



SPI is a trademark of Motorola, Inc.

Pin Configuration appears at end of data sheet.



Maxim Integrated Products 1

For pricing, delivery, and ordering information, please contact Maxim/Dallas Direct! at 1-888-629-4642, or visit Maxim's website at www.maxim-ic.com.

MAX5548

Dual, 8-Bit, Programmable, 30mA High-Output-Current DAC

ABSOLUTE MAXIMUM RATINGS

V_{DD} to GND-0.3V to +6V
 OUTA, OUTB to GND-0.3V to (V_{DD} + 0.3V)
 REFIN CS/AO, DOUT/AI, SPI/I²C, FSADJA,
 FSADJB to GND-0.3V to (V_{DD} + 0.3V)
 SCLK/SCL, DIN/SDA-0.3V to +6V
 Continuous Power Dissipation (T_A = +85°C)
 16-Pin Thin QFN (derate 17.5mW/°C above +70°C) ..1398.6mW

Operating Temperature Range-40°C to +85°C
 Junction Temperature+150°C
 Storage Temperature Range-65°C to +150°C
 Lead Temperature (soldering, 10s)+300°C

Stresses beyond those listed under "Absolute Maximum Ratings" may cause permanent damage to the device. These are stress ratings only, and functional operation of the device at these or any other conditions beyond those indicated in the operational sections of the specifications is not implied. Exposure to absolute maximum rating conditions for extended periods may affect device reliability.

ELECTRICAL CHARACTERISTICS

(V_{DD} = +2.7V to +5.25V, GND = 0, V_{REFIN} = +1.25V, internal reference, R_{FSADJ_} = 20kΩ; compliance voltage = (V_{DD} - 0.6V), V_{SCLK/SCL} = 0, T_A = -40°C to +85°C, unless otherwise noted. Typical values are at V_{DD} = +3.0V and T_A = +25°C.) (Note 1)

| PARAMETER | SYMBOL | CONDITIONS | MIN | TYP | MAX | UNITS |
|---|---------------------|---|------|------|------|--------|
| STATIC PERFORMANCE—ANALOG SECTION | | | | | | |
| Resolution | | | 8 | | | Bits |
| Integral Nonlinearity | INL | I _{OUT_} = 1mA to 30mA (Note 2) | | ±1 | | LSB |
| Differential Nonlinearity | DNL | Guaranteed monotonic | | | ±1 | LSB |
| Offset | I _{OS} | | -13 | -4 | | LSB |
| Zero-Scale Error | | I _{OUT_} = 1mA to 30mA, code = 0x00 | | | 1 | μA |
| Full-Scale Error | | I _{OUT_} = 1mA to 30mA, code = 0xFF, includes offset | | -4 | | LSB |
| REFERENCE | | | | | | |
| Internal Reference Range | | | 1.21 | 1.25 | 1.29 | V |
| Internal Reference Tempco | | | | 30 | | ppm/°C |
| External Reference Range | | | 0.5 | | 1.5 | V |
| External Reference Input Current | | | | 108 | 225 | μA |
| DAC OUTPUTS | | | | | | |
| Full-Scale Current | | (Note 3) | 1 | | 30 | mA |
| Output Current Leakage in Shutdown | | | | | ±1 | μA |
| Output Capacitance | | | | 10 | | pF |
| Current Source Dropout Voltage (V _{DD} - V _{OUT_}) | | I _{OUT_} = 30mA | 1 | | | V |
| | | I _{OUT_} = 20mA | 0.55 | | | |
| | | T _A = -40°C to +85°C | 0.6 | | | |
| Output Impedance at Full-Scale Current | | | | 100 | | kΩ |
| Capacitive Load to Ground | C _{LOAD} | | | 10 | | nF |
| Series Inductive Load | L _{LOAD} | | | 100 | | nH |
| Maximum FSADJ_ Capacitive Load | C _{FSADJ_} | | | 75 | | pF |
| DYNAMIC PERFORMANCE | | | | | | |
| Settling Time | t _S | C _{LOAD} = 24pF, L _{LOAD} = 27nH (Note 4) | | 30 | | μs |
| Digital Feedthrough | | | | 2 | | nVs |
| Digital-to-Analog Glitch Impulse | | | | 40 | | nVs |

Dual, 8-Bit, Programmable, 30mA High-Output-Current DAC

MAX5548

ELECTRICAL CHARACTERISTICS (continued)

($V_{DD} = +2.7V$ to $+5.25V$, $GND = 0$, $V_{REFIN} = +1.25V$, internal reference, $R_{FSADJ_} = 20k\Omega$; compliance voltage = $(V_{DD} - 0.6V)$, $V_{SCLK/SCL} = 0$, $T_A = -40^\circ C$ to $+85^\circ C$, unless otherwise noted. Typical values are at $V_{DD} = +3.0V$ and $T_A = +25^\circ C$.) (Note 1)

| PARAMETER | SYMBOL | CONDITIONS | MIN | TYP | MAX | UNITS |
|---|--------------|--|-----------------------|---------------------|---------|---------|
| DAC-to-DAC Current Matching | | | | 2 | | % |
| Wake-Up Time | | $V_{DD} = +3V$, $R_L = 65\Omega$, $C_L = 24pF$ | | 400 | | μs |
| | | $V_{DD} = +5V$, no load | | 10 | | |
| POWER SUPPLIES | | | | | | |
| Supply Voltage | V_{DD} | | +2.70 | | +5.25 | V |
| Supply Current | I_{DD} | $V_{DD} = +5.25V$, no load | | 3 | 6 | mA |
| Shutdown Current | | | | | 1.2 | μA |
| LOGIC AND CONTROL INPUTS | | | | | | |
| Input High Voltage (Note 5) | V_{IH} | $+2.7V \leq V_{DD} \leq +3.4V$ | | $0.7 \times V_{DD}$ | | V |
| | | $+34V < V_{DD} \leq +5.25V$ | | 2.4 | | |
| Input Low Voltage | V_{IL} | (Note 5) | | | 0.8 | V |
| Input Hysteresis | V_{HYS} | | | $0.1 \times V_{DD}$ | | V |
| Input Capacitance | C_{IN} | | | 10 | | pF |
| Input Leakage Current | I_{IN} | | | | ± 1 | μA |
| Output Low Voltage | V_{OL} | $I_{SINK} = 3mA$ | | | 0.6 | V |
| Output High Voltage | V_{OH} | $I_{SOURCE} = 2mA$ | | $V_{DD} - 0.5$ | | V |
| I²C TIMING CHARACTERISTICS (Figure 2) | | | | | | |
| SCL Clock Frequency | f_{SCL} | | | | 400 | kHz |
| Setup Time for START Condition | $t_{SU:STA}$ | | 600 | | | ns |
| Hold Time for START Condition | $t_{HD:STA}$ | | 600 | | | ns |
| SCL Pulse-Width Low | t_{LOW} | | 130 | | | ns |
| SCL Pulse-Width High | t_{HIGH} | | 600 | | | ns |
| Data Setup Time | $t_{SU:DAT}$ | | 100 | | | ns |
| Data Hold Time | $t_{HD:DAT}$ | | 0 | | 70 | ns |
| SCL Rise Time | t_{RCL} | | $20 + 0.1 \times C_B$ | | 300 | ns |
| SCL Fall Time | t_{FCL} | | $20 + 0.1 \times C_B$ | | 300 | ns |
| SDA Rise Time | t_{RDA} | | $20 + 0.1 \times C_B$ | | 300 | ns |
| SDA Fall Time | t_{FDA} | | $20 + 0.1 \times C_B$ | | 300 | ns |
| Bus Free Time Between a STOP and START Condition | t_{BUF} | | 1.3 | | | μs |

Dual, 8-Bit, Programmable, 30mA High-Output-Current DAC

ELECTRICAL CHARACTERISTICS (continued)

($V_{DD} = +2.7V$ to $+5.25V$, $GND = 0$, $V_{REFIN} = +1.25V$, internal reference, $R_{FSADJ_} = 20k\Omega$; compliance voltage = $(V_{DD} - 0.6V)$, $V_{SCLK/SCL} = 0$, $T_A = -40^\circ C$ to $+85^\circ C$, unless otherwise noted. Typical values are at $V_{DD} = +3.0V$ and $T_A = +25^\circ C$.) (Note 1)

| PARAMETER | SYMBOL | CONDITIONS | MIN | TYP | MAX | UNITS |
|---|--------------|-------------------|-----|-----|-----|-------|
| Setup Time for STOP Condition | $t_{SU:STO}$ | | 160 | | | ns |
| Maximum Capacitive Load for Each Bus Line | C_B | | | 400 | | pF |
| SPI TIMING CHARACTERISTICS (Figure 6) | | | | | | |
| SCLK Clock Period | t_{CP} | | 100 | | | ns |
| SCLK Pulse-Width High | t_{CH} | | 40 | | | ns |
| SCLK Pulse-Width Low | t_{CL} | | 40 | | | ns |
| \overline{CS} Fall to SCLK Rise Setup Time | t_{CSS} | | 25 | | | ns |
| SCLK Rise to \overline{CS} Rise Hold Time | t_{CSH} | | 50 | | | ns |
| DIN Setup Time | t_{DS} | | 40 | | | ns |
| DIN Hold Time | t_{DH} | | 0 | | | ns |
| SCLK Fall to DOUT Transition | t_{DO1} | $C_{LOAD} = 30pF$ | | | 40 | ns |
| \overline{CS} Fall to DOUT Enable | t_{CSE} | $C_{LOAD} = 30pF$ | | | 40 | ns |
| \overline{CS} Rise to DOUT Disable | t_{CSD} | $C_{LOAD} = 30pF$ | | | 40 | ns |
| SCLK Rise to \overline{CS} Fall Delay | t_{CS0} | | 50 | | | ns |
| \overline{CS} Rise to SCLK Rise Hold Time | t_{CS1} | | 40 | | | ns |
| \overline{CS} Pulse-Width High | t_{CSW} | | 100 | | | ns |
| SPI TIMING CHARACTERISTICS FOR DAISY CHAINING (Figure 6) | | | | | | |
| SCLK Clock Period | t_{CP} | | 200 | | | ns |
| SCLK Pulse-Width High | t_{CH} | | 80 | | | ns |
| SCLK Pulse-Width Low | t_{CL} | | 80 | | | ns |
| \overline{CS} Fall to SCLK Rise Setup Time | t_{CSS} | | 25 | | | ns |
| SCLK Rise to \overline{CS} Rise Hold Time | t_{CSH} | | 50 | | | ns |
| DIN Setup Time | t_{DS} | | 40 | | | ns |
| DIN Hold Time | t_{DH} | | 0 | | | ns |
| SCLK Fall to DOUT Transition | t_{DO1} | $C_{LOAD} = 30pF$ | | | 40 | ns |
| \overline{CS} Fall to DOUT Enable | t_{CSE} | $C_{LOAD} = 30pF$ | | | 40 | ns |
| \overline{CS} Rise to DOUT Disable | t_{CSD} | $C_{LOAD} = 30pF$ | | | 40 | ns |
| SCLK Rise to \overline{CS} Fall Delay | t_{CS0} | | 50 | | | ns |
| \overline{CS} Rise to SCLK Rise Hold Time | t_{CS1} | | 40 | | | ns |
| \overline{CS} Pulse-Width High | t_{CSW} | | 100 | | | ns |

Note 1: 100% production tested at $T_A = +25^\circ C$. Limits over temperature are guaranteed by design.

Note 2: INL linearity is guaranteed from code 15 to code 255.

Note 3: Connect a resistor from $FSADJ_$ to GND to adjust the full-scale current. See the *Reference Architecture and Operation* section.

Note 4: Settling time is measured from $(0.25 \times \text{full scale})$ to $(0.75 \times \text{full scale})$.

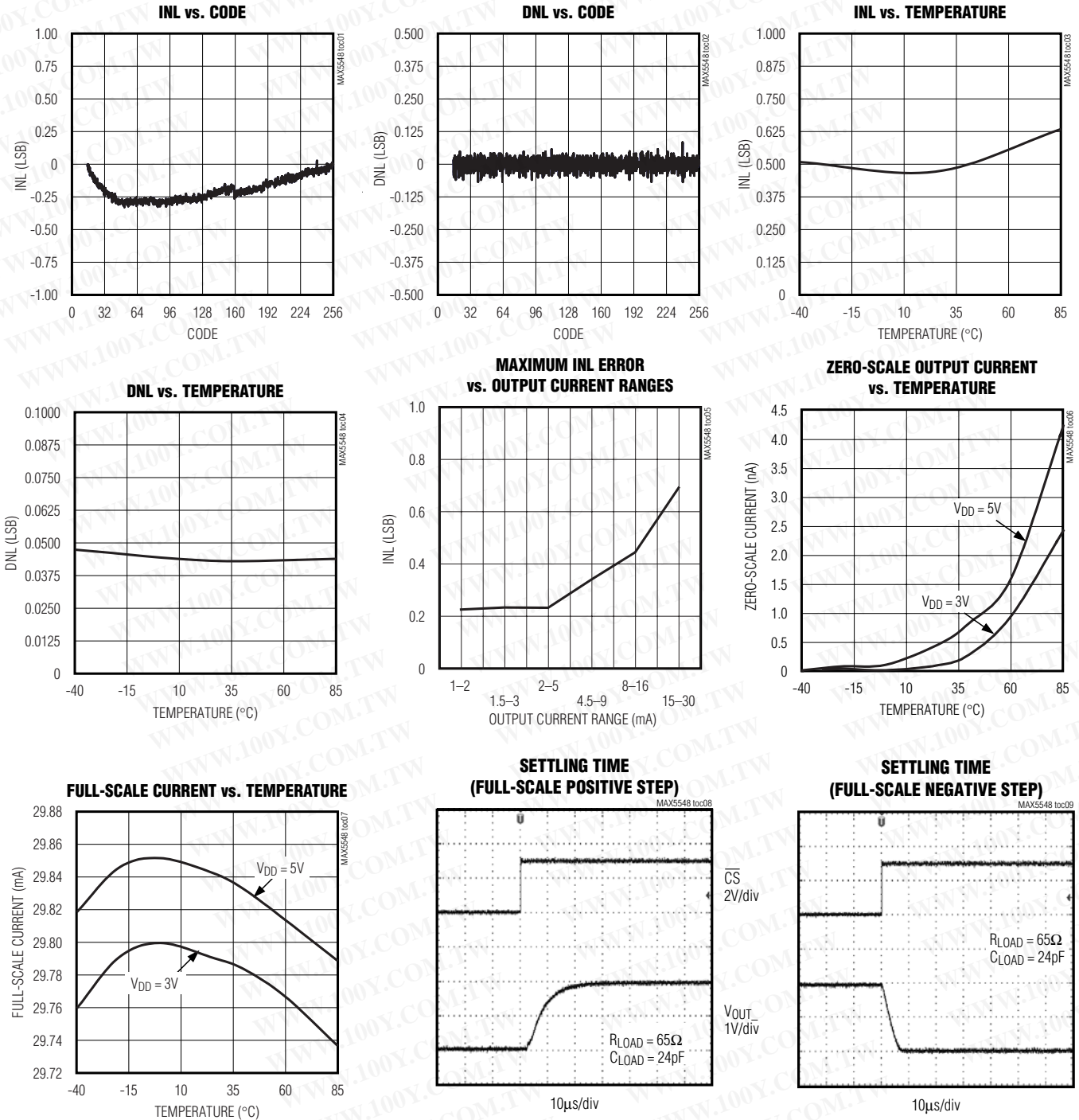
Note 5: The device draws higher supply current when the digital inputs are driven with voltages between $(V_{DD} - 0.5V)$ and $(GND + 0.5V)$. See the Supply Current vs. Digital Input Voltage graph in the *Typical Operating Characteristics*.

Dual, 8-Bit, Programmable, 30mA High-Output-Current DAC

Typical Operating Characteristics

($V_{DD} = +3.0V$, $GND = 0$, $V_{REFIN} = +1.25V$, internal reference, $R_{FSADJ_} = 20k\Omega$, $T_A = +25^\circ C$, unless otherwise noted).

MAX5548

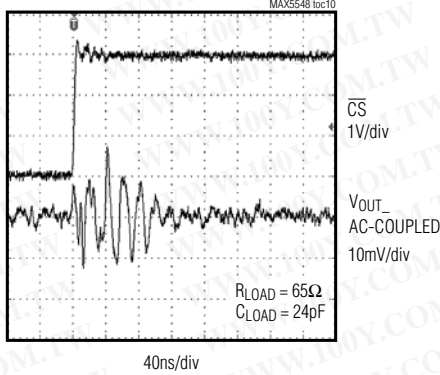


Dual, 8-Bit, Programmable, 30mA High-Output-Current DAC

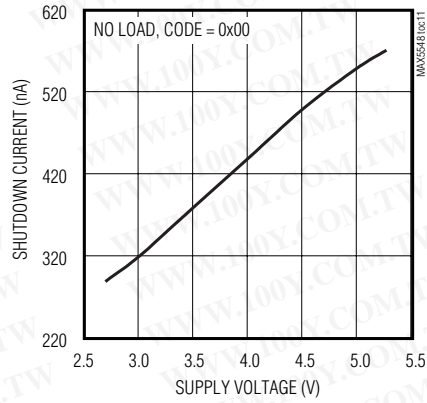
Typical Operating Characteristics (continued)

($V_{DD} = +3.0V$, $GND = 0$, $V_{REFIN} = +1.25V$, internal reference, $R_{FSADJ_} = 20k\Omega$, $T_A = +25^\circ C$. unless otherwise noted).

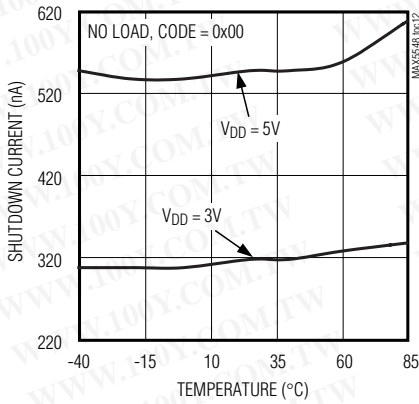
GLITCH IMPULSE



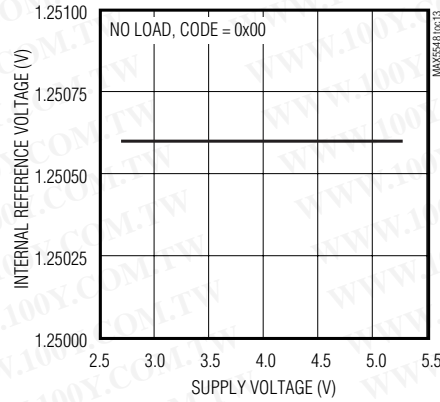
SHUTDOWN CURRENT vs. SUPPLY VOLTAGE



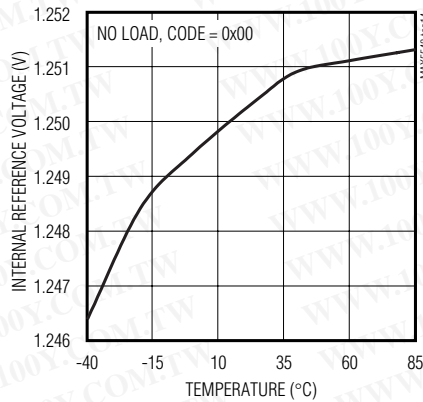
SHUTDOWN CURRENT vs. TEMPERATURE



INTERNAL REFERENCE VOLTAGE vs. SUPPLY VOLTAGE



INTERNAL REFERENCE VOLTAGE vs. TEMPERATURE

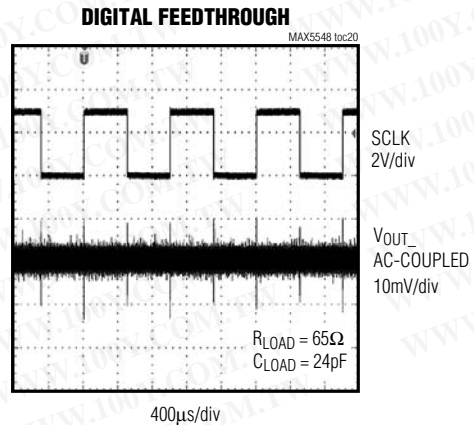
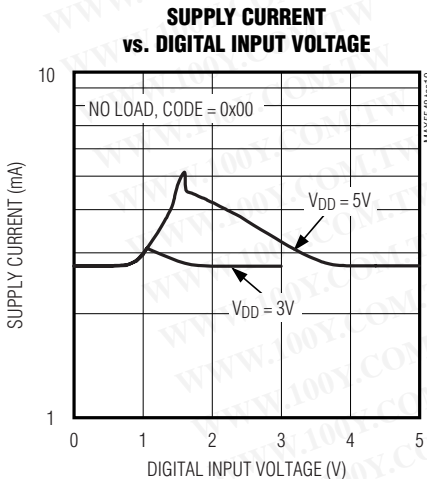
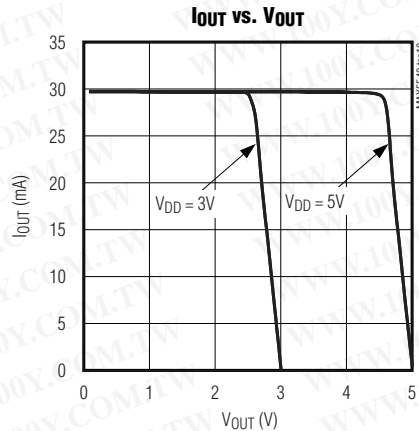
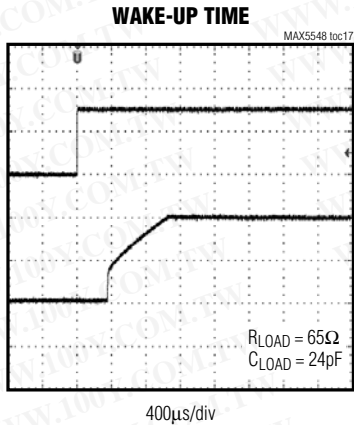
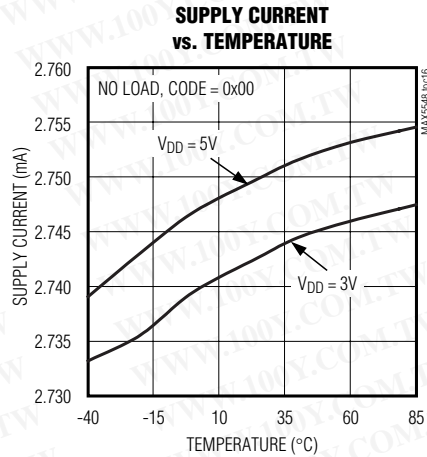
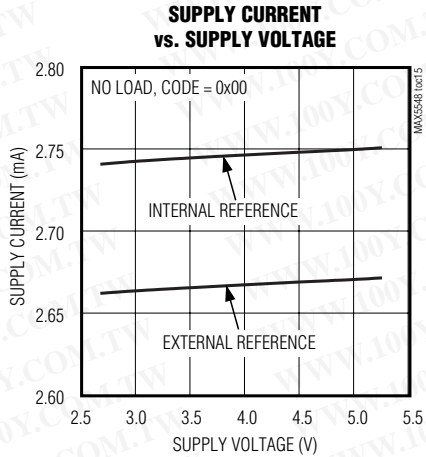


Dual, 8-Bit, Programmable, 30mA High-Output-Current DAC

MAX5548

Typical Operating Characteristics (continued)

($V_{DD} = +3.0V$, $GND = 0$, $V_{REFIN} = +1.25V$, internal reference, $R_{FSADJ_} = 20k\Omega$, $T_A = +25^\circ C$, unless otherwise noted).



Dual, 8-Bit, Programmable, 30mA High-Output-Current DAC

Pin Description

| PIN | NAME | FUNCTION |
|-----------|----------------------|---|
| 1 | SCLK/SCL | Serial Clock Input. Connect SCL to V_{DD} through a 2.4k Ω resistor in I ² C mode. |
| 2 | DIN/SDA | Serial Data Input. Connect SDA to V_{DD} through a 2.4k Ω resistor in I ² C mode. |
| 3 | $\overline{CS}/A0$ | Chip-Select Input in SPI Mode/Address Select 0 in I ² C Mode. \overline{CS} is an active-low input. Connect A0 to V_{DD} or GND to set the device address in I ² C mode. |
| 4 | SPI/I ² C | SPI/I ² C Select Input. Connect SPI/I ² C to V_{DD} to select SPI mode, or connect SPI/I ² C to GND to select I ² C mode. |
| 5 | DOUT/A1 | Serial Data Output in SPI Mode/Address Select 1 in I ² C Mode. Use DOUT to daisy chain the MAX5548 to other devices or to read back in SPI mode. The digital data is clocked out on SCLK's falling edge. Connect A1 to V_{DD} or GND to set the device address in I ² C mode. |
| 6, 13, 15 | N.C. | No Connection. Leave unconnected or connect to GND. |
| 7 | REFIN | Reference Input. Drive REFIN with an external reference source between +0.5V and +1.5V. Leave REFIN unconnected in internal reference mode. Bypass REFIN with a 0.1 μ F capacitor to GND as close to the device as possible. |
| 8, 16 | GND | Ground |
| 9 | OUTB | DACB Output. OUTB provides up to 30mA of output current. |
| 10 | FSADJB | DACB Full-Scale Adjust Input. For maximum full-scale output current, connect a 20k Ω resistor between FSADJB and GND. For minimum full-scale current, connect a 40k Ω resistor between FSADJB and GND. |
| 11 | FSADJA | DACA Full-Scale Adjust Input. For maximum full-scale output current, connect a 20k Ω resistor between FSADJA and GND. For minimum full-scale current, connect a 40k Ω resistor between FSADJA and GND. |
| 12 | OUTA | DACA Output. OUTA provides up to 30mA of output current. |
| 14 | V_{DD} | Power-Supply Input. Connect V_{DD} to a +2.7 to +5.25V power supply. Bypass V_{DD} to GND with a 0.1 μ F capacitor as close to the device as possible. |
| — | EP | Exposed Pad. Connect to GND. Do not use as a substitute ground connection. |

Detailed Description

Architecture

The MAX5548 8-bit, dual current-steering DAC (see the *Functional Diagram*) operates with DAC update rates up to 10Msps in SPI mode and 400ksps in I²C mode. The converter consists of a 16-bit shift register and input DAC registers, followed by a current-steering array. The current-steering array generates full-scale currents up to 30mA per DAC. An integrated +1.25V bandgap reference, control amplifier, and an external resistor determine each data converter's full-scale output range.

Reference Architecture and Operation

The MAX5548 provides an internal +1.25V bandgap reference or accepts an external reference voltage source between +0.5V and +1.5V. REFIN serves as the input for an external low-impedance reference source. Leave REFIN unconnected in internal reference mode. Internal or external reference mode is software selectable through the SPI/I²C serial interface.

The MAX5548's reference circuit (Figure 1) employs a control amplifier to regulate the full-scale current (I_{FS}) for the current outputs of the DAC. This device has a software-selectable full-scale current range (see the command summary in Table 4). After selecting a current range, an external resistor (R_{FSADJ}) sets the full-scale current. See Table 1 for a matrix of I_{FS} and R_{FSADJ} selections.

During startup, when the power is first applied, the MAX5548 defaults to the external reference mode, and to the 1mA–2mA full-scale current-range mode.

DAC Data

The 8-bit DAC data is decoded as offset binary, MSB first, with 1 LSB = $I_{FS} / 256$, and converted into the corresponding current as shown in Table 2.

Serial Interface

The MAX5548 features a pin-selectable SPI/I²C serial interface. Connect SPI/I²C to GND to select I²C mode, or connect SPI/I²C to V_{DD} to select SPI mode. SDA

Dual, 8-Bit, Programmable, 30mA High-Output-Current DAC

and SCL (I²C mode) and DIN, SCLK, and \overline{CS} (SPI mode) facilitate communication between the MAX5548 and the master. The serial interface remains active in shutdown.

I²C Compatibility (SPI/I²C = GND)

The MAX5548 is compatible with existing I²C systems (Figure 2). SCL and SDA are high-impedance inputs; SDA has an open-drain output that pulls the data line low during the ninth clock pulse. SDA and SCL require pullup resistors (2.4k Ω or greater) to V_{DD}. Optional resistors (24 Ω) in series with SDA and SCL protect the device inputs from high-voltage spikes on the bus lines. Series resistors also minimize crosstalk and undershoot of the bus signals. The communication protocol supports standard I²C 8-bit communications. The device's address is compatible with 7-bit I²C addressing protocol only. Ten-bit address formats are not supported. Only write commands are accepted by the MAX5548.

Note: I²C readback is not supported.

Table 1. Full-Scale Output Current and RFSADJ_ Selection Based on a +1.25V (typ) Reference Voltage

| FULL-SCALE OUTPUT CURRENT (mA)* | | | | | | RFSADJ_ (k Ω) | |
|---------------------------------|-----------|-----------|-----------|----------|-----------|-----------------------|-------------|
| 1mA–2mA | 1.5mA–3mA | 2.5mA–5mA | 4.5mA–9mA | 8mA–16mA | 15mA–30mA | Calculated | 1% EIA Std. |
| 1.00 | 1.500 | 2.500 | 4.500 | 8.00 | 15.00 | 40 | 40.2 |
| 1.25 | 1.875 | 3.125 | 5.625 | 10.00 | 18.75 | 35 | 34.8 |
| 1.50 | 2.250 | 3.750 | 6.750 | 12.00 | 22.50 | 30 | 30.1 |
| 1.75 | 2.625 | 4.375 | 7.875 | 14.00 | 26.25 | 25 | 24.9 |
| 2.00 | 3.000 | 5.000 | 9.000 | 16.00 | 30.00 | 20 | 20.0 |

*See the command summary in Table 4.

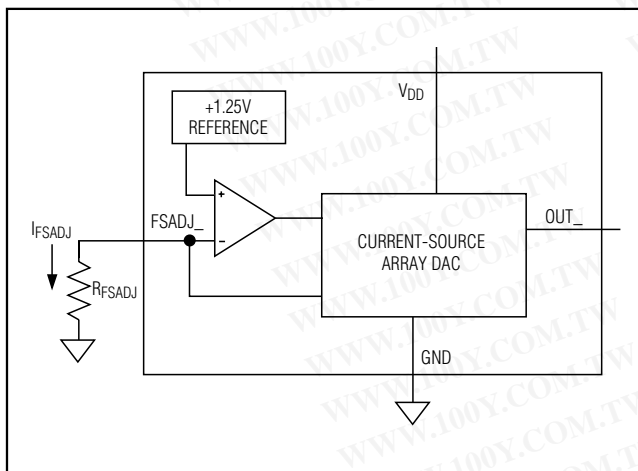


Figure 1. Reference Architecture and Output Current Adjustment

Bit Transfer

One data bit transfers during each SCL rising edge. The MAX5548 requires nine clock cycles to transfer data into or out of the DAC register. The data on SDA must remain stable during the high period of the SCL clock pulse. Changes in SDA while SCL is high are read as control signals (see the *START and STOP Conditions* section). Both SDA and SCL idle high.

START and STOP Conditions

The master initiates a transmission with a START condition (S), (a high-to-low transition on SDA with SCL high). The master terminates a transmission with a STOP condition (P), (a low-to-high transition on SDA while SCL is high) (Figure 3). A START condition from the master signals the beginning of a transmission to the MAX5548. The master terminates transmission by issuing a STOP condition. The STOP condition frees the bus.

If a repeated START condition (S_r) is generated instead of a STOP condition, the bus remains active.

Table 2. DAC Output Code Table

| DAC CODE | I _{OUT_} |
|------------|--|
| 1111 1111 | $255 \times \frac{I_{FS}}{256} - I_{OS} $ |
| 1000 0000 | $128 \times \frac{I_{FS}}{256} - I_{OS} $ |
| 0000 0001* | $\frac{I_{FS}}{256} - I_{OS} $ |
| 0000 0000 | 0 |

*Negative output current values = 0.

Dual, 8-Bit, Programmable, 30mA High-Output-Current DAC

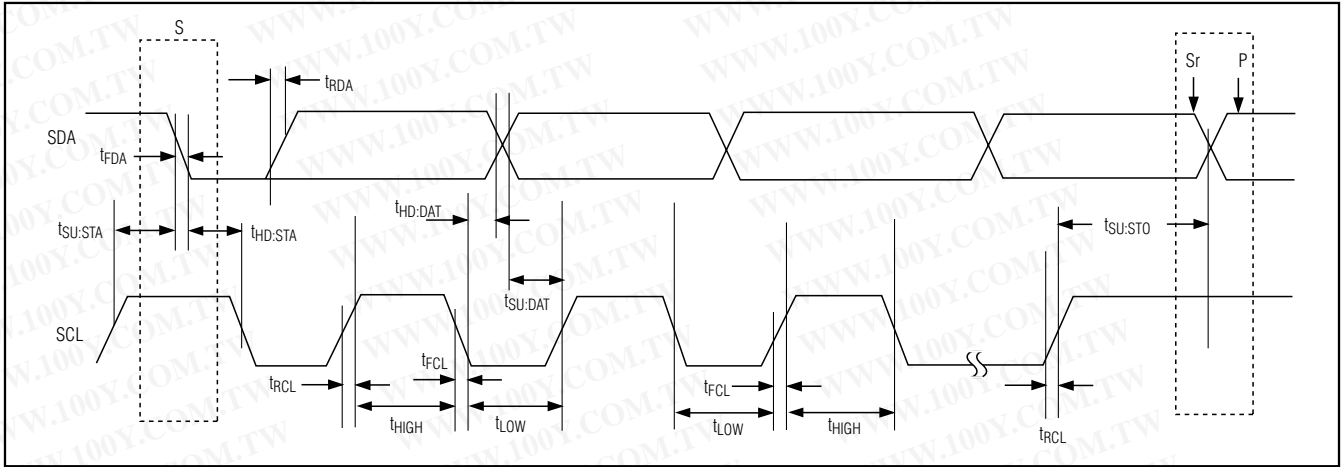


Figure 2. I²C Serial-Interface Timing Diagram

Early STOP Conditions

The MAX5548 recognizes a STOP condition at any point during transmission except if a STOP condition occurs in the same high pulse as a START condition (Figure 4). This condition is not allowed in the I²C format.

Repeated START Conditions

A repeated START (S_r) condition is used when the bus master is writing to several I²C devices and does not want to relinquish control of the bus. The MAX5548's serial interface supports continuous write operations with an S_r condition separating them.

Acknowledge Bit (ACK)

Successful data transfers are acknowledged with an acknowledge bit (ACK). Both the master and the MAX5548 (slave) generate acknowledge bits. To generate an acknowledge, the receiving device must pull SDA low before the rising edge of the acknowledge-related clock pulse (ninth pulse) and keep it low during the high period of the clock pulse (Figure 5).

Monitoring the acknowledge bits allows for detection of unsuccessful data transfers. An unsuccessful data transfer happens if a receiving device is busy or if a system fault has occurred. In the event of an unsuccessful data transfer, the master should reattempt communication at a later time.

Slave Address

A master initiates communication with a slave device by issuing a START condition followed by a slave address (see Table 3). The slave address consists of 7

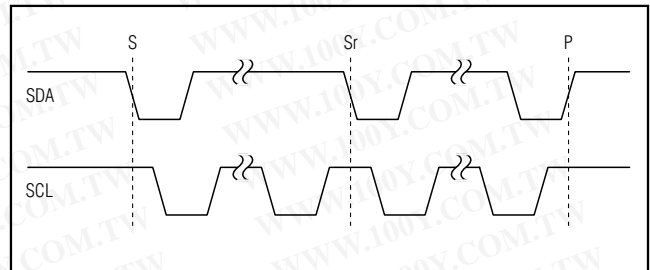


Figure 3. START and STOP Conditions

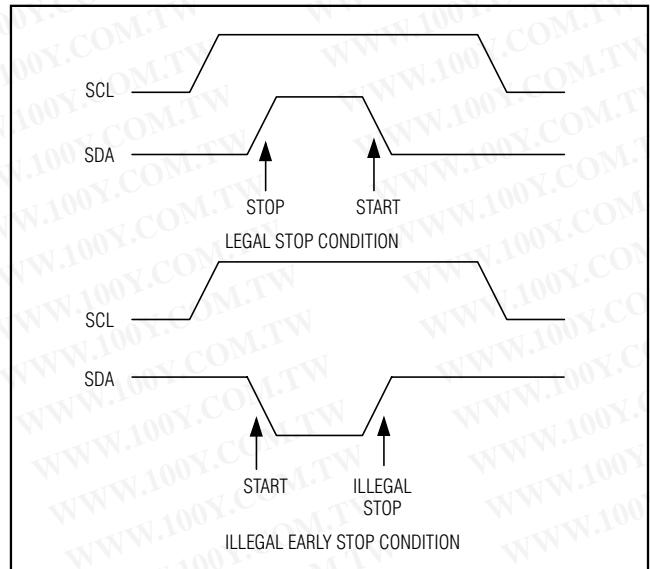


Figure 4. Early STOP Conditions

Dual, 8-Bit, Programmable, 30mA High-Output-Current DAC

MAX5548

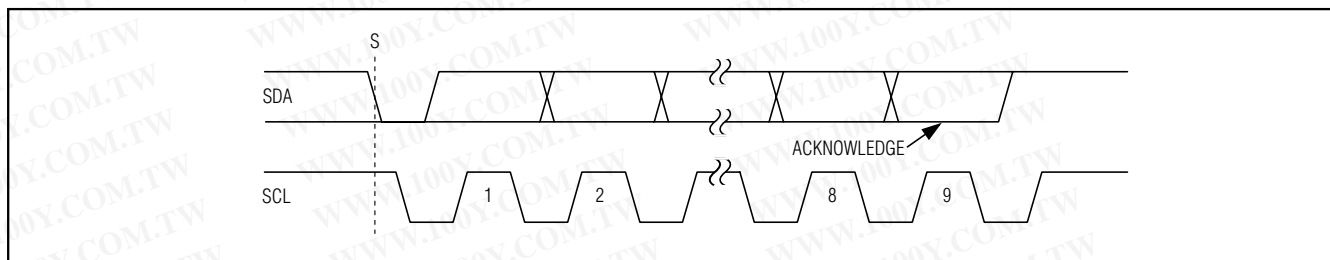


Figure 5. Acknowledge Condition

Table 3. Write Operation

| | START | ADDRESS BYTE | | | | | | | | COMMAND/DATA BYTE | | | | | | | | DATA BYTE* | | | | | | | | STOP | | | |
|------------|-------|----------------------|---|---|---|---|----------------|----------------|---|-------------------|----------------|----------------|----------------|----------------|----------------|----------------|----------------|----------------|----------------|----------------|----------------|----------------|----------------|-------------------|-------------------|------|--|---|---|
| | | R/ \overline{W} ** | | | | | | | | | | | | | | | | | | | | | | | | | | | |
| Master SDA | S | 0 | 1 | 1 | 0 | 0 | A ₁ | A ₀ | 0 | C ₅ | C ₄ | C ₃ | C ₂ | C ₁ | C ₀ | D ₇ | D ₆ | D ₅ | D ₄ | D ₃ | D ₂ | D ₁ | D ₀ | S ₁ ** | S ₀ ** | P | | | |
| Slave SDA | | | | | | | | | | A | | | | | | | | | ACK | | | | | | | | | A | K |

*S₁ and S₀ are subbits. Set S₁ and S₀ to zero for proper 8-bit operation.

**Read operation not supported.

address bits and a read/write bit (R/\overline{W}). When idle, the device continuously waits for a START condition followed by its slave address. When the device recognizes its slave address, it acquires the data and executes the command. The first 5 bits (MSBs) of the slave address have been factory programmed and are always 01100. Connect A₁ and A₀ to V_{DD} or GND to program the remaining 2 bits of the slave address. Set the least significant bit (LSB) of the address byte (R/\overline{W}) to zero to write to the MAX5548. After receiving the address, the MAX5548 (slave) issues an acknowledge by pulling SDA low for one clock cycle. I²C read commands ($R/\overline{W} = 1$) are not acknowledged by the MAX5548.

Write Cycle

The write command requires 27 clock cycles. In write mode ($R/\overline{W} = 0$), the command/data byte that follows the address byte controls the MAX5548 (Table 3). The registers update on the rising edge of the 26th SCL pulse. Prematurely aborting the write cycle does not update the DAC. See Table 4 for a command summary.

SPI Compatibility (SPI/I²C = V_{DD})

The MAX5548 is compatible with the 3-wire SPI serial interface (Figure 6). This interface mode requires three

inputs: chip-select (\overline{CS}), data clock (SCLK), and data in (DIN). Drive \overline{CS} low to enable the serial interface and clock data synchronously into the shift register on each SCLK rising edge.

The MAX5548 requires 16 clock cycles to clock in 6 command bits (C₅–C₀) and 8 data bits (D₇–D₀) and S₁ = S₀ = 0 (Figure 7). After loading data into the shift register, drive \overline{CS} high to latch the data into the appropriate DAC register and disable the serial interface. Keep \overline{CS} low during the entire serial data stream to avoid corruption of the data. See Table 4 for a command summary.

Shutdown Mode

The MAX5548 has a software shutdown mode that reduces the supply current to less than 1 μ A. Shutdown mode disables the DAC outputs. The serial interface remains active in shutdown. This provides the flexibility to update the registers while in shutdown. Recycling the power supply resets the device to the default settings.

Dual, 8-Bit, Programmable, 30mA High-Output-Current DAC

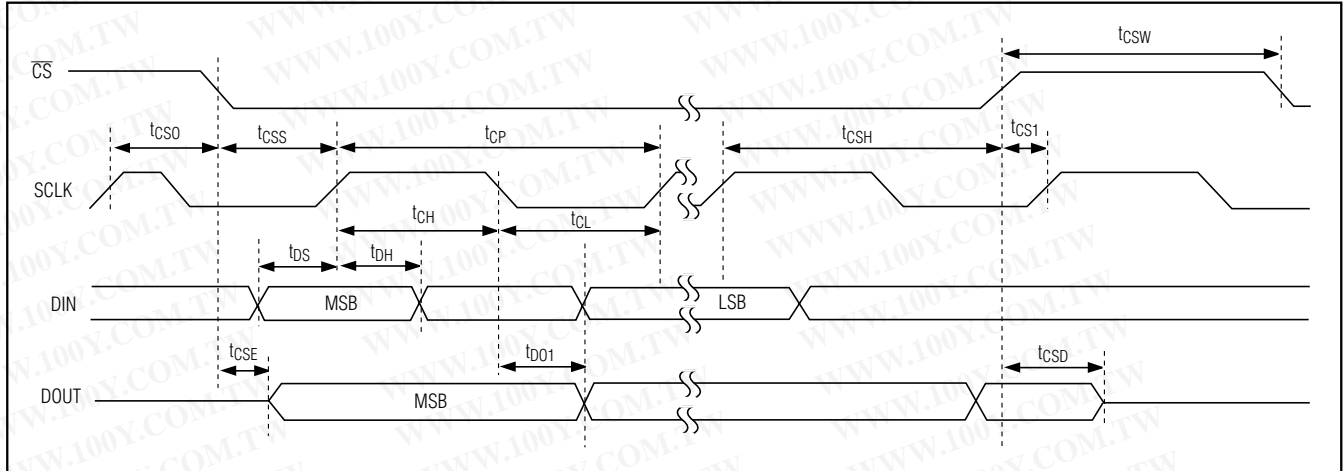


Figure 6. SPI-Interface Timing Diagram

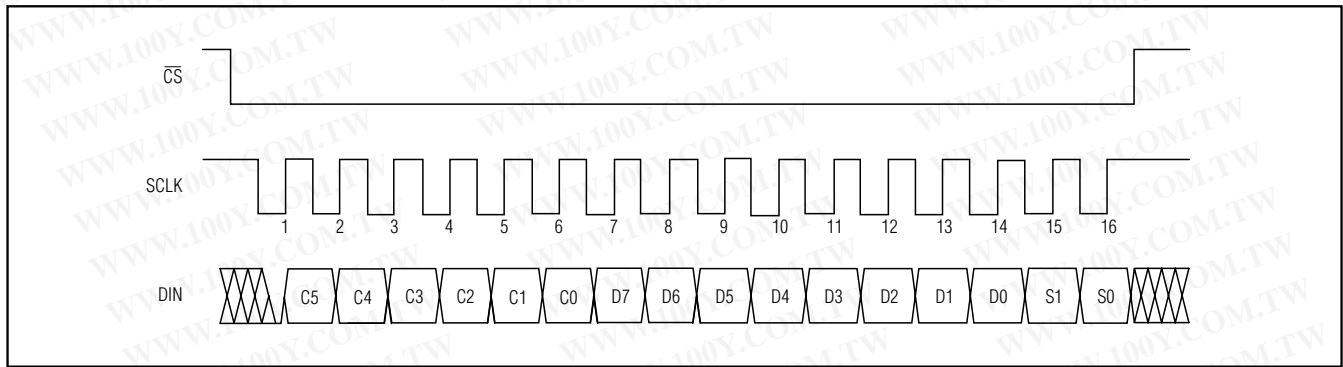


Figure 7. SPI-Interface Format

Applications Information

Daisy Chaining (SPI/I²C = V_{DD})

In standard SPI-/QSPI™-/MICROWIRE™-compatible systems, a microcontroller (μC) communicates with its slave devices through a 3- or 4-wire serial interface. The typical interface includes a chip-select signal (\overline{CS}), a serial clock (SCLK), a data input signal (DIN), and sometimes a data signal output (DOUT). In this system, the μC allots an independent slave-select signal (\overline{SS}_i) to each slave device so that they can be addressed individually. Only the slaves with their \overline{CS} inputs asserted low acknowledge and respond to the activity on the serial clock and data lines. This is simple to implement when there are very few slave devices in the system.

An alternative method is daisy chaining. Daisy chaining, in serial-interface applications, is the method of propagating commands through devices connected in series (see Figure 8).

Daisy chain devices by connecting the DOUT of one device to the DIN of the next. Connect the SCLK of all devices to a common clock and connect the \overline{CS} of all devices to a common slave-select line. Data shifts out of DOUT 16.5 clock cycles after it is shifted into DIN on the falling edge of SCLK. In this configuration, the μC only needs three signals (\overline{SS} , SCK, and MOSI) to control all of the slaves in the network. The SPI-/QSPI-/MICROWIRE-compatible serial interface normally works at up to 10MHz, but must be slowed to 5MHz if daisy chaining. DOUT is high impedance when \overline{CS} is high.

QSPI is a trademark of Motorola, Inc.

MICROWIRE is a trademark of National Semiconductor Corp.

Dual, 8-Bit, Programmable, 30mA High-Output-Current DAC

MAX5548

Table 4. Command Summary

| SERIAL DATA INPUT | | | | | | | FUNCTIONS |
|-------------------|----|----|----|----|----|------------------|--|
| C5 | C4 | C3 | C2 | C1 | C0 | D7–D0, S1 AND S0 | |
| 0 | 0 | 0 | 0 | 0 | 0 | XXXXXXXXXX | No operation. |
| 0 | 0 | 0 | 0 | 0 | 1 | 8-bit DAC data | Load DAC data to both DAC registers and both input registers from the shift register. |
| 0 | 0 | 0 | 0 | 1 | 0 | 8-bit DAC data | Load DAC register A and input register A from the shift register. |
| 0 | 0 | 0 | 0 | 1 | 1 | 8-bit DAC data | Load DAC register B and input register B from the shift register. |
| 0 | 0 | 0 | 1 | 0 | 0 | 8-bit DAC data | Load both channel input registers from the shift register; both DAC registers are unchanged. |
| 0 | 0 | 0 | 1 | 0 | 1 | 8-bit DAC data | Load input register A from the shift register; DAC register A is unchanged. |
| 0 | 0 | 0 | 1 | 1 | 0 | 8-bit DAC data | Load input register B from the shift register; DAC register B is unchanged. |
| 0 | 0 | 0 | 1 | 1 | 1 | XXXXXXXXXX | Update both DAC registers from their corresponding input registers. |
| 0 | 0 | 1 | 0 | 0 | 1 | XXXXXXXXXX | Update DAC register A from input register A. |
| 0 | 0 | 1 | 0 | 1 | 0 | XXXXXXXXXX | Update DAC register B from input register B. |
| 0 | 0 | 1 | 0 | 1 | 1 | XXXXXXXXXX | Internal reference mode. |
| 0 | 0 | 1 | 1 | 0 | 0 | XXXXXXXXXX | External reference mode (default mode at power-up). |
| 0 | 0 | 1 | 1 | 0 | 1 | XXXXXXXXXX | Shut down both DACs. |
| 0 | 0 | 1 | 1 | 1 | 0 | XXXXXXXXXX | Shut down DACA. |
| 0 | 0 | 1 | 1 | 1 | 1 | XXXXXXXXXX | Shut down DACB. |
| 0 | 1 | 0 | 0 | 0 | 0 | XXXXXXXXXX | DACA 1mA–2mA full-scale current range mode (default mode at power-up) |
| 0 | 1 | 0 | 0 | 0 | 1 | XXXXXXXXXX | DACA 1.5mA–3mA full-scale current range mode. |
| 0 | 1 | 0 | 0 | 1 | 0 | XXXXXXXXXX | DACA 2.5mA–5mA full-scale current range mode. |
| 0 | 1 | 0 | 0 | 1 | 1 | XXXXXXXXXX | DACA 4.5mA–9mA full-scale current range mode. |
| 0 | 1 | 0 | 1 | 0 | 0 | XXXXXXXXXX | DACA 8mA–16mA full-scale current range mode. |
| 0 | 1 | 0 | 1 | 0 | 1 | XXXXXXXXXX | DACA 15mA–30mA full-scale current range mode. |
| 1 | 0 | 1 | 1 | 0 | 1 | XXXXXXXXXX | Power up both channels of the DACs. |
| 1 | 0 | 1 | 1 | 1 | 0 | XXXXXXXXXX | Power up DACA. |
| 1 | 0 | 1 | 1 | 1 | 1 | XXXXXXXXXX | Power up DACB. |
| 1 | 1 | 0 | 0 | 0 | 0 | XXXXXXXXXX | DACB 1mA–2mA full-scale current range mode (default mode at power-up) |
| 1 | 1 | 0 | 0 | 0 | 1 | XXXXXXXXXX | DACB 1.5mA–3mA full-scale current range mode. |
| 1 | 1 | 0 | 0 | 1 | 0 | XXXXXXXXXX | DACB 2.5mA–5mA full-scale current range mode. |
| 1 | 1 | 0 | 0 | 1 | 1 | XXXXXXXXXX | DACB 4.5mA–9mA full-scale current range mode. |
| 1 | 1 | 0 | 1 | 0 | 0 | XXXXXXXXXX | DACB 8mA–16mA full-scale current range mode. |
| 1 | 1 | 0 | 1 | 0 | 1 | XXXXXXXXXX | DACB 15mA–30mA full-scale current range mode. |

Dual, 8-Bit, Programmable, 30mA High-Output-Current DAC

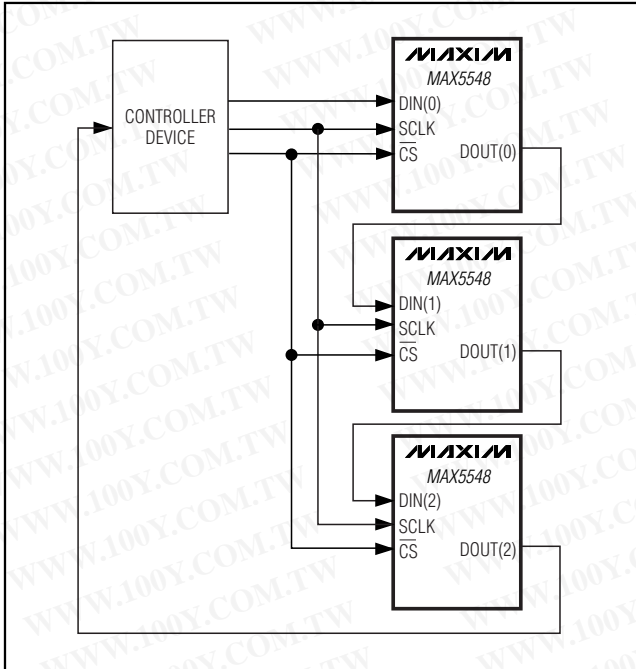
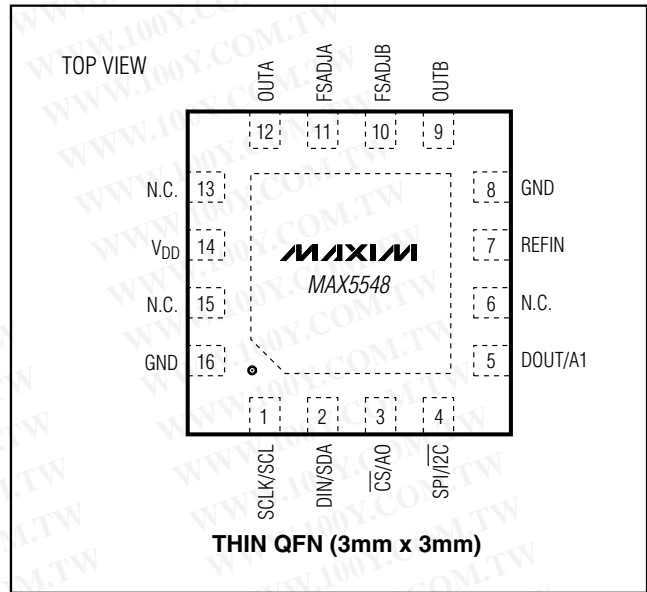


Figure 8. Daisy-Chain Configuration

Pin Configuration



Power Sequencing

Ensure that the voltage applied to REFIN does not exceed V_{DD} at any time. If proper power sequencing is not possible, connect an external Schottky diode between REFIN and V_{DD} to ensure compliance with the absolute maximum ratings.

Power-Supply Bypassing and Ground Management

Digital or AC transient signals on GND create noise at the analog output. Return GND to the highest-quality ground plane available. For extremely noisy environments, bypass REFIN and V_{DD} to GND with $1\mu\text{F}$ and $0.1\mu\text{F}$ capacitors with the $0.1\mu\text{F}$ capacitor as close to the device as possible. Careful PC board ground layout minimizes crosstalk between the DAC outputs and digital inputs.

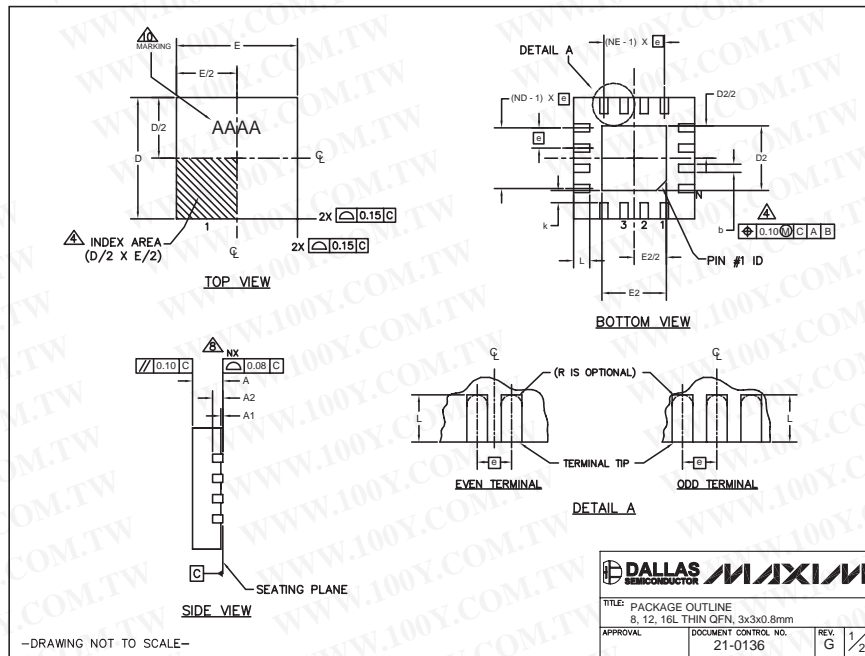
Chip Information

PROCESS: BiCMOS

Dual, 8-Bit, Programmable, 30mA High-Output-Current DAC

Package Information

(The package drawing(s) in this data sheet may not reflect the most current specifications. For the latest package outline information, go to www.maxim-ic.com/packages.)



| PKG REF. | 8L 3x3 | | | 12L 3x3 | | | 16L 3x3 | | |
|----------|-----------|------|------|-----------|------|------|-----------|------|------|
| | MIN. | NOM. | MAX. | MIN. | NOM. | MAX. | MIN. | NOM. | MAX. |
| A | 0.70 | 0.75 | 0.80 | 0.70 | 0.75 | 0.80 | 0.70 | 0.75 | 0.80 |
| b | 0.25 | 0.30 | 0.35 | 0.20 | 0.25 | 0.30 | 0.20 | 0.25 | 0.30 |
| D | 2.90 | 3.00 | 3.10 | 2.90 | 3.00 | 3.10 | 2.90 | 3.00 | 3.10 |
| E | 2.90 | 3.00 | 3.10 | 2.90 | 3.00 | 3.10 | 2.90 | 3.00 | 3.10 |
| e | 0.65 BSC. | | | 0.50 BSC. | | | 0.50 BSC. | | |
| L | 0.35 | 0.55 | 0.75 | 0.45 | 0.55 | 0.65 | 0.30 | 0.40 | 0.50 |
| N | 8 | | | 12 | | | 16 | | |
| ND | 2 | | | 3 | | | 4 | | |
| NE | 2 | | | 3 | | | 4 | | |
| A1 | 0 | 0.02 | 0.05 | 0 | 0.02 | 0.05 | 0 | 0.02 | 0.05 |
| A2 | 0.20 REF. | | | 0.20 REF. | | | 0.20 REF. | | |
| k | 0.25 | - | - | 0.25 | - | - | 0.25 | - | - |

| PKG CODES | D2 | | | E2 | | | PIN ID | JEDEC | DOWN BONDS ALLOWED |
|-----------|------|------|------|------|------|------|-------------|--------|--------------------|
| | MIN. | NOM. | MAX. | MIN. | NOM. | MAX. | | | |
| TQ833-1 | 0.25 | 0.70 | 1.25 | 0.25 | 0.70 | 1.25 | 0.35 x 45° | WEEC | NO |
| T1233-1 | 0.95 | 1.10 | 1.25 | 0.95 | 1.10 | 1.25 | 0.35 x 45° | WEED-1 | NO |
| T1233-3 | 0.95 | 1.10 | 1.25 | 0.95 | 1.10 | 1.25 | 0.35 x 45° | WEED-1 | YES |
| T1233-4 | 0.95 | 1.10 | 1.25 | 0.95 | 1.10 | 1.25 | 0.35 x 45° | WEED-1 | YES |
| T1633-1 | 0.95 | 1.10 | 1.25 | 0.95 | 1.10 | 1.25 | 0.35 x 45° | WEED-2 | NO |
| T1633-2 | 0.95 | 1.10 | 1.25 | 0.95 | 1.10 | 1.25 | 0.35 x 45° | WEED-2 | YES |
| T1633F-3 | 0.65 | 0.80 | 0.95 | 0.65 | 0.80 | 0.95 | 0.225 x 45° | WEED-2 | N/A |
| T1633FH-3 | 0.65 | 0.80 | 0.95 | 0.65 | 0.80 | 0.95 | 0.225 x 45° | WEED-2 | N/A |
| T1633-4 | 0.95 | 1.10 | 1.25 | 0.95 | 1.10 | 1.25 | 0.35 x 45° | WEED-2 | NO |

NOTES:

- DIMENSIONING & TOLERANCING CONFORM TO ASME Y14.5M-1994.
- ALL DIMENSIONS ARE IN MILLIMETERS. ANGLES ARE IN DEGREES.
- N IS THE TOTAL NUMBER OF TERMINALS.
- THE TERMINAL #1 IDENTIFIER AND TERMINAL NUMBERING CONVENTION SHALL CONFORM TO JEDEC 95-1 SPP-012. DETAILS OF TERMINAL #1 IDENTIFIER ARE OPTIONAL, BUT MUST BE LOCATED WITHIN THE ZONE INDICATED. THE TERMINAL #1 IDENTIFIER MAY BE EITHER A MOLD OR MARKED FEATURE.
- DIMENSION b APPLIES TO METALLIZED TERMINAL AND IS MEASURED BETWEEN 0.20 mm AND 0.25 mm FROM TERMINAL TIP.
- ND AND NE REFER TO THE NUMBER OF TERMINALS ON EACH D AND E SIDE RESPECTIVELY.
- DEPOPULATION IS POSSIBLE IN A SYMMETRICAL FASHION.
- COPLANARITY APPLIES TO THE EXPOSED HEAT SINK SLUG AS WELL AS THE TERMINALS.
- DRAWING CONFORMS TO JEDEC MO220 REVISION C.
- MARKING IS FOR PACKAGE ORIENTATION REFERENCE ONLY.
- NUMBER OF LEADS SHOWN ARE FOR REFERENCE ONLY.

—DRAWING NOT TO SCALE—



Maxim cannot assume responsibility for use of any circuitry other than circuitry entirely embodied in a Maxim product. No circuit patent licenses are implied. Maxim reserves the right to change the circuitry and specifications without notice at any time.

Maxim Integrated Products, 120 San Gabriel Drive, Sunnyvale, CA 94086 408-737-7600 15

MAX5548