



Headphone Driver IC

PT2308

DESCRIPTION

PT2308 is a Class AB stereo headphone driver chip utilizing CMOS Technology specially designed for portable digital audio applications. It is housed in an 8-pin DIP or SO package and is functionally compatible with TDA1308. Pin assignments and application circuit are optimized for lower cost effectiveness and easy PCB Layout

FEATURES

- CMOS Technology
- Low Power Consumption
- Wide Temperature Range
- Excellent Power Supply Ripple Rejection
- High Signal-to-Noise Ratio, S/N=110dB
- Low Harmonic Distortion, THD= 0.001%
- Large Output Voltage Swing

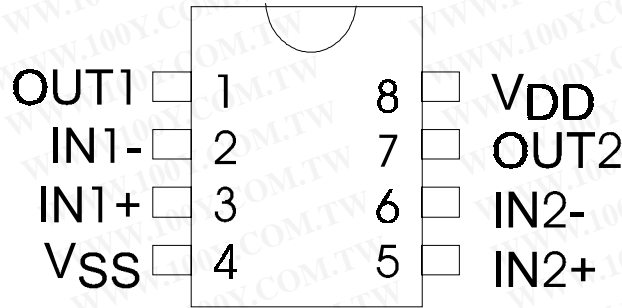
勝特力材料 886-3-5753170
勝特力电子(上海) 86-21-34970699
勝特力电子(深圳) 86-755-83298787
[Http://www.100y.com.tw](http://www.100y.com.tw)

APPLICATIONS

- Portable Digital Audio
- Hi-fi Audio System
- Walkman
- CD-ROM



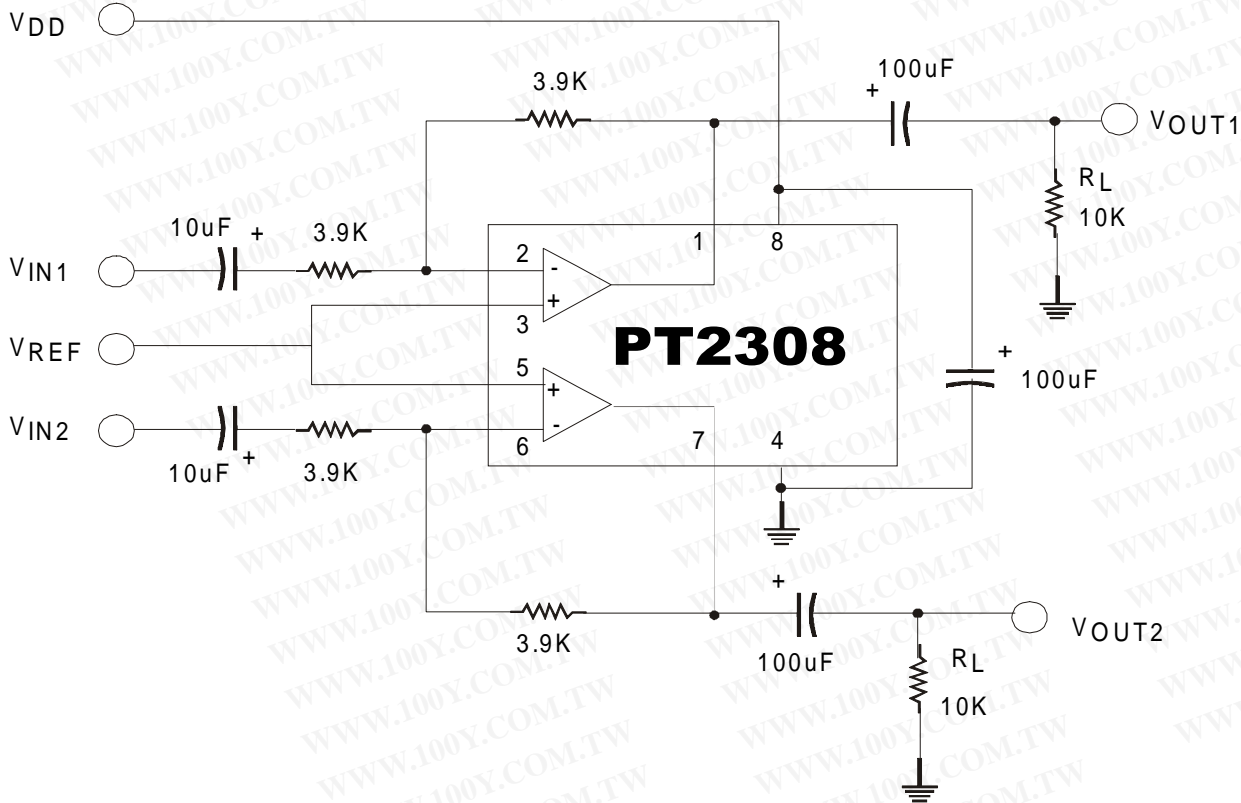
PIN CONFIGURATION



PT2308

勝特力材料 886-3-5753170
勝特力电子(上海) 86-21-34970699
勝特力电子(深圳) 86-755-83298787
[Http://www.100y.com.tw](http://www.100y.com.tw)

APPLICATION CIRCUIT





ORDER INFORMATION

Valid Part Number	Package
PT2308	8 Pins, DIP (300 mil)
PT2308-S	8 Pins, SO (150 mil)

勝特力材料 886-3-5753170
勝特力电子(上海) 86-21-34970699
勝特力电子(深圳) 86-755-83298787
[Http://www.100y.com.tw](http://www.100y.com.tw)