



CUST. P/N	:		
AKER P/N	:	ZXO-004000-4C3000	
APPROVED	:	Earnest	SHEET : 1 of 3
PREPARED	:	Kiku	REV . : 0

This part is RoHS compliant

DIP CLOCK OSCILLATOR

1. ELECTRICAL CHARACTERISTICS

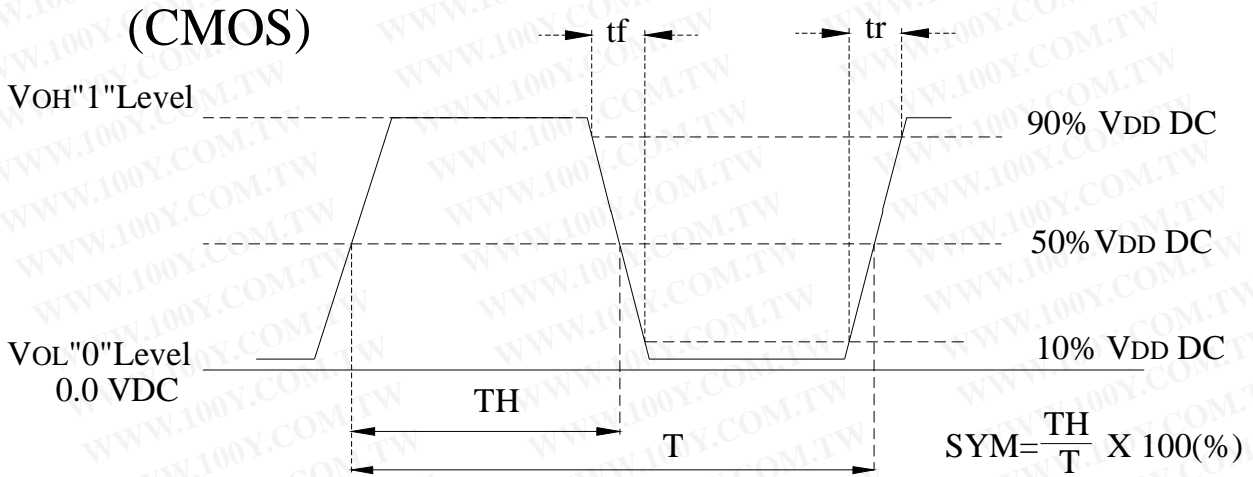
1.1 Frequency	4.000000	MHZ
1.2 Frequency Stability	± 25	PPM
1.3 Operating Temperature Range	-10 °C ~ + 70 °C	± 25 PPM
1.4 Storage Temperature Range	- 55 °C ~ 125 °C	
1.5 Input Voltage (Operating VDD)	+ 3.3 VDC	± 10%
1.6 Input Current	10	mA Max .
1.7 Output :		
" 0 " Level	10%	VDD (MAX)
" 1 " Level	90%	VDD (MIN)
Load	15	PF
Rise & Fall Times :		
(10% VDC ~ 90% VDC)	Tr & Tf :	10 ns Max .
Symmetry (TW / T * 100 %)		40 % / 60 % (min / max) .
1.8 Start up Time :	10	ms MAX
1.9 Aging :	± 5	PPM / Year
1.10 Enable / Disable Function :	N/C	

勝特力材料 886-3-5753170
勝特力电子(上海) 86-21-34970699
勝特力电子(深圳) 86-755-83298787
[Http://www.100y.com.tw](http://www.100y.com.tw)

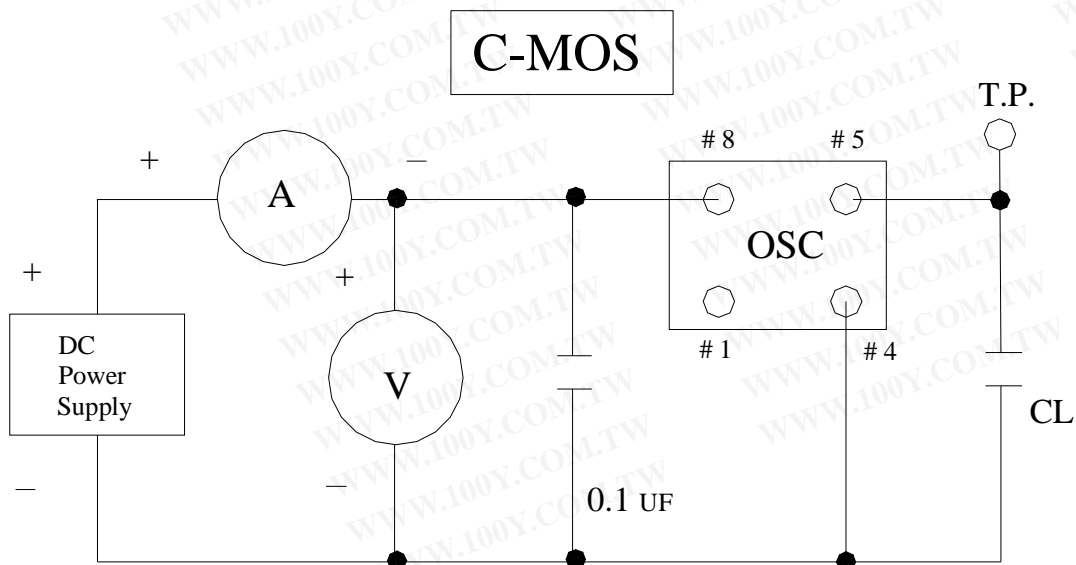


CUST. P/N	:		
AKER P/N	:	ZXO-004000-4C3000	
APPROVED	:	Earnest	SHEET : 2 of 3
PREPARED	:	Kiku	REV . : 0

2. C - MOS LOAD OUTPUT WAVEFORM



3. C - MOS LOAD TEST CIRCUIT

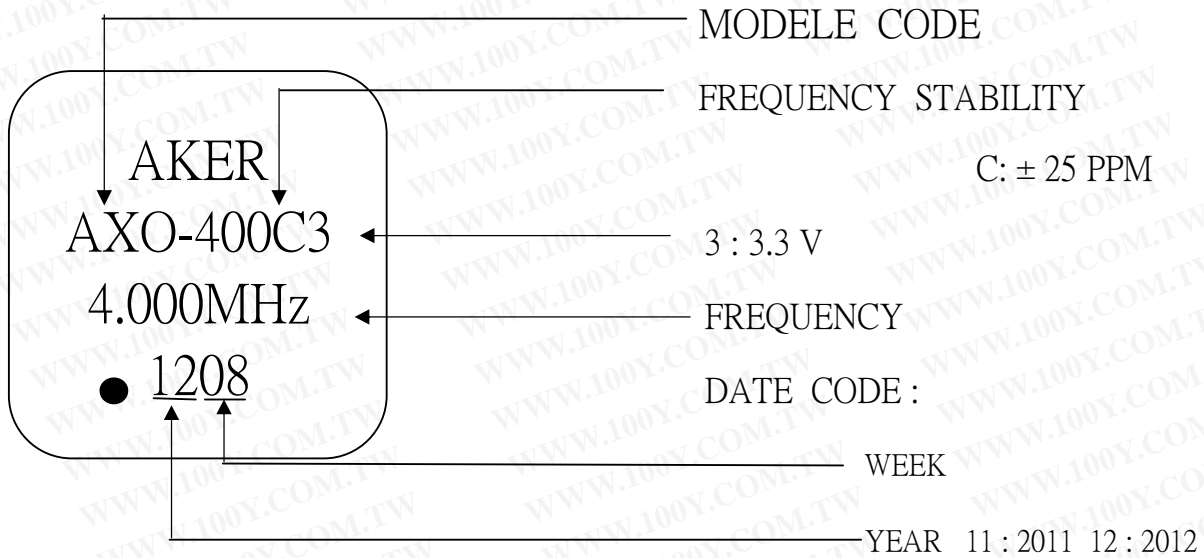


勝特力材料 886-3-5753170
勝特力电子(上海) 86-21-34970699
勝特力电子(深圳) 86-755-83298787
[Http://www.100y.com.tw](http://www.100y.com.tw)



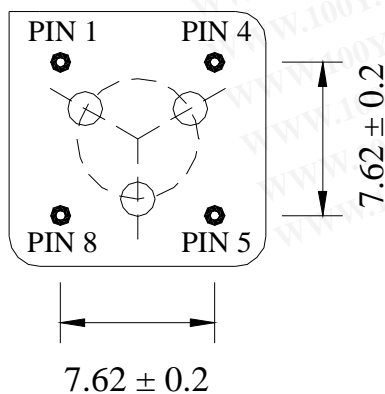
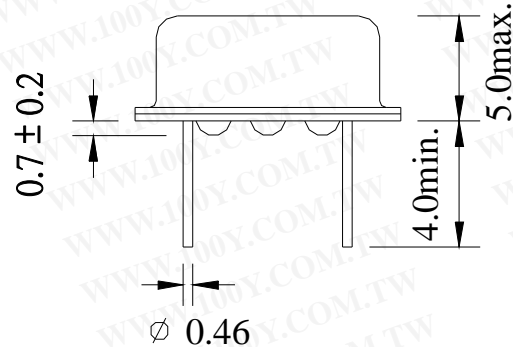
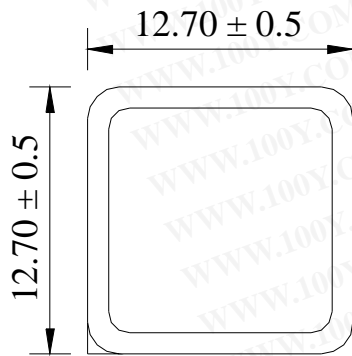
CUST. P/N	:		
AKER P/N	:	Z XO-004000-4C3000	
APPROVED	:	Earnest	SHEET : 3 of 3
PREPARED	:	Kiku	REV . : 0

4 . MARKING :



5 . DIMENSION :

(UNIT : mm)



Pin connection	
PIN	CONNECTION
1	N.C or Tri - State
4	CASE GND
5	OUT PUT
8	VDC

勝特力材料 886-3-5753170
 勝特力电子(上海) 86-21-34970699
 勝特力电子(深圳) 86-755-83298787
[Http://www.100y.com.tw](http://www.100y.com.tw)