

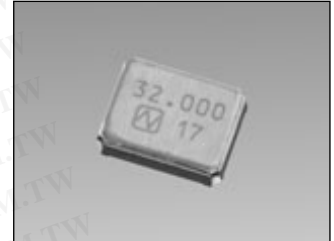
For Mobile Communication

SURFACE MOUNT TYPE CRYSTAL UNITS / NX3225DA

This is ultra small surface mount type crystal unit.

Features

- Ultra compact, thin and light weight (3.2×2.5×0.6 mm typ., 17mg typ.).
- Excellent heat resistance and environmental characteristics.
- Excellent electric performance optimum for mobile communication are exhibited.
- Products that are lead-free. These can meet the requirements of re-flow profiling using lead-free solder.



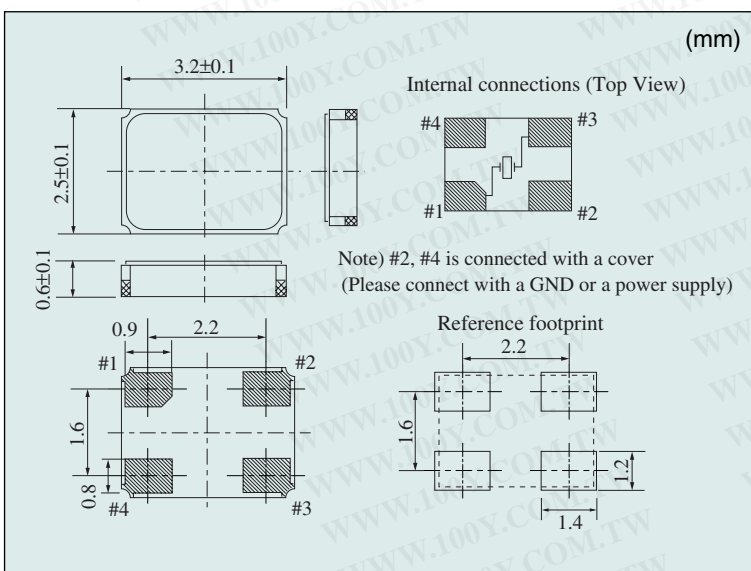
Specification

Item	Type	NX3225DA	
Frequency Range		16 ~ 54 MHz	
Overtone		Fundamental	
Frequency Tolerance (25±3°C)		± 10 × 10 ⁻⁶	
Temperature Characteristics (in reference to +25°C)		± 10 × 10 ⁻⁶	± 12 × 10 ⁻⁶
Operating Temperature Range		- 20 ~ + 70°C	- 30 ~ + 85°C
Equivalent Series Resistance		※ See table	
Drive Level		10 μW (100 μW max)	
Standard Load Capacitance		7 pF, 10 pF	
Operable Temperature Range		- 40 ~ + 85°C	

Typical Frequency (MHz)

Fundamental	16.368	19.2	19.44	19.68
	19.8	26.0	38.4	39.0

Dimensions



※ Table Equivalent Series Resistance (Ω)

Frequency Range (MHz)	Equivalent Series Resistance (Ω)
16 ~ 20	80 max
20 ~ 54	50 max