

Part Number Designations

For Other Sockets

勝特力材料 886-3-5753170
勝特力电子(上海) 86-21-34970699
勝特力电子(深圳) 86-755-83298787
[Http://www.100y.com.tw](http://www.100y.com.tw)

02748-161-6217

SOCKET FAMILY

NUMBER OF DEVICE LEADS

- A = 10
- B = 11
- C = 12
- D = 13
- E = 14
- F = 15
- G = 16
- H = 17

For numbers over
99, use letter in
Position #5
Example: C8 = 128
D0 = 130

MECHANICAL MOUNTING

- 1 = Not Applicable
- 2 = Mechanical Mounting Available

PLATING

- 0 = No Plating
- 1 = 50 microinches (**1.27 microns**) Au
- 2 = Other Au Thicknesses
- 3 = 100 microinches (**2.54 microns**) Solderable Ni
- 4 = 10 microinches (**0.254 microns**) Au
- 5 = Other Plating
- 6 = 30 microinches (**0.762 microns**) Au

SOCKET TERMINATION

- 0 = Not Applicable
- 1 = 1/2" Extended Contact
- 2 = Printed Circuit Contact
- 3 = Other (**Engineering Design Req'd**)
- 4 = Studs
- 6 = Surface-Mount Termination

CONTACT MATERIAL

- 0 = Not Applicable
- 1 = Beryllium-Copper (**Be-Cu**) Standard Material
- 2 = Beryllium-Nickel (**Be-Ni**) Special Order, Contact Sales
- 4 = Phosphor Bronze Special Order, Contact Sales
- 5 = Spinodal Special Order, Contact Sales
- 6 = Other (**Engineering Design Req'd**)

PLASTIC MATERIAL

- 0 = Not Applicable
- 5 = Polyphenylene Sulfide (**PPS**)
- 7 = LGA / BGA/CSP – mixed to 175°C
- 8 = Modified Socket (**Engineering Design Req'd**)
- 9 = Other (Engineering Design Req'd)
- B = LCP 175°C (**max**) application
- C = LCP 300°C (**max**) application



Gull Wing Sockets

Design Features

- Open Top and Clamshell
- Enables Greatest Airflow Over Package with Low Profile
- "Live Bug" and "Dead Bug" Insertion for Burn-in and Test
- Kelvin and non Kelvin Contacts
- Heat Sink Options Available



I/O	Pitch (in)	Pkg Type	Pkg Name	Pkg Body L (in)	Pkg Body W (in)	Pkg H / T (in)	Kelvin	Style	Socket L (in)	Socket W (in)	Socket H (in)	P/N
2	**	--	DO-214AB	0.235	0.270	0.085	Yes	ClamShell	1.340	0.620	0.750	03337 161S6218F
2	**	Powermite	--	0.075	0.075	0.040	Yes	ClamShell	0.970	0.510	0.740	04140 061 6217
2	**	Powermite	--	0.075	0.075	0.040	No	ClamShell	0.970	0.510	0.740	04140 061 6218A
2	**	Gull Wing	SOT	0.406	0.296	0.068	Yes	ClamShell	1.090	0.510	0.730	04142 021 X217
2	**	Gull Wing	SOT	0.406	0.296	0.068	Yes	ClamShell	1.090	0.510	0.730	04142 031 X217
2	**	--	SOD-323	0.067	0.049	0.037	Yes	ClamShell	0.880	0.510	0.750	04332 041 6217
3	0.020	--	SOT-523	0.063	0.031	0.031	No	ClamShell	0.790	0.510	0.730	03285 121 6218A
3	0.037	--	MW-8	0.114	0.051	0.039	No	ClamShell	0.790	0.510	0.730	03293 121 6217
3	0.037	--	L-3 SOT	0.114	0.051	0.039	No	ClamShell	0.790	0.510	0.730	03293 121 6218A
3	0.075	--	SOT-23	0.120	0.100	0.075	No	ClamShell	1.640	0.910	0.760	03333 061 6215
3	0.050	SOIC	5L-SOIC	0.142	0.173	0.098	No	ClamShell	1.340	0.620	0.750	03337 161S6218C
3	**	Lo-Power SMD	--	0.350	0.300	0.120	Yes	ClamShell	1.390	0.620	0.750	03337 161S6218G
3	0.215	--	D-3	0.590	0.628	0.198	Yes	OpenTop	1.200	0.530	0.940	03661 032 6215
3	0.090	--	TI KPT	0.282	0.238	0.075	Yes	OpenTop	0.470	0.390	0.880	03662 031 6215
3	0.091	--	KTP	0.282	0.238	0.075	Yes	ClamShell	1.070	0.510	0.740	04241 031 6215
3	0.020	--	SOT-523	0.063	0.031	0.031	Yes	ClamShell	1.110	0.510	0.740	04285 121 X218A
3	0.038	--	SOT-23	0.118	0.078	0.039	No	ClamShell	0.790	0.510	0.730	04329 121 6218A
3	0.038	--	Super SOT	0.115	0.055	0.040	Yes	ClamShell	0.790	0.510	0.730	04330 061 6217
3	0.038	--	Super SOT	0.115	0.055	0.040	Yes	ClamShell	0.790	0.510	0.730	04330 121 6217
3	0.037	--	SOT-23-6	0.114	0.063	0.028	Yes	ClamShell	0.790	0.510	0.730	04331 121 6218D
3	0.037	--	SOT-23	0.117	0.055	0.037	Yes	ClamShell	1.120	0.560	0.740	04334 121 6218D
3	0.026	SOT	SOT-323, SC-70	0.079	0.050	0.036	Yes	ClamShell	1.100	0.510	0.740	04335 121 6218C
4	0.026	--	SC-70 / SOT-343	0.079	0.049	0.035	No	ClamShell	1.390	0.620	0.750	03256 181 6218A
4	0.037	TSOP	TSOP-6-6-1	0.114	0.063	0.041	No	ClamShell	0.740	0.510	0.740	03295 121 6218A
4	0.075	--	SOT-143	0.113	0.051	0.035	No	ClamShell	1.390	0.620	0.750	03331 081 6215
4	0.100	SOIC	4L-SOIC	0.142	0.173	0.098	No	ClamShell	1.390	0.620	0.750	03337 161S6218S
4	0.100	--	KTE	0.370	0.355	0.075	Yes	ClamShell	1.070	0.510	0.740	04240 031 6215
4	0.100	--	P-TO263-32	0.403	0.394	0.173	Yes	ClamShell	1.240	0.510	0.740	04246 041 6215
4	0.050	SOT	SOT669	0.193	0.157	0.041	Yes	Clamshell	1.120	0.510	0.740	04254 041 6217
4	**	Gull Wing	SOD-123	0.106	0.063	0.045	Yes	ClamShell	0.790	0.510	0.730	04328 041 6217
5	0.059	--	SOT-223	0.256	0.140	0.066	Yes	ClamShell	1.070	0.510	0.740	04220 051 6215

** Pitch is not available due to package configuration -- Contact Sales for device size and specifications



Gull Wing Sockets

勝特力材料 886-3-5753170
 勝特力电子(上海) 86-21-34970699
 勝特力电子(深圳) 86-755-83298787
[Http://www.100y.com.tw](http://www.100y.com.tw)

I/O	Pitch (in)	Pkg Type	Pkg Name	Pkg Body (in)	LPkg Body (in)	W Pkg H / T (in)	Kelvin	Style	Socket L (in)	Socket W (in)	Socket H (in)	P/N
5	0.037	--	SOT-595	0.114	0.063	0.043	Yes	ClamShell	1.120	0.510	0.740	04234 101 6215
5	0.067	D2PAK	5L D2PAK	0.591	0.386	0.157	Yes	ClamShell	1.240	0.510	0.740	04245 051 6218A
5	0.037	SOT	SOT-23-5	0.115	0.065	0.048	Yes	ClamShell	0.790	0.600	0.740	04331 101 6217
5	0.026	SC70	SC70	0.079	0.049	0.035	Yes	ClamShell	1.100	0.510	0.740	04335 121 6218A
6	0.026	--	H-P SC-70	0.079	0.049	0.035	No	ClamShell	1.340	0.620	0.750	03256 181 6215
6	0.037	TSOP	TSOP-6-6-1	0.114	0.063	0.041	No	ClamShell	0.740	0.510	0.740	03295 121 6217
6	0.100	SOIC	6L-SOIC	0.335	0.250	0.158	No	OpenTop	1.110	0.830	0.730	03557 281 6258
6	0.050	Gull Wing	--	0.130	0.193	0.046	No	ClamShell	1.070	0.550	0.750	04120 161 6218B
6	0.050	GULL WING	PSOIC	0.256	0.138	0.067	Yes	ClamShell	1.070	0.510	0.740	04222 061 6215
6	0.067	--	KTG	0.370	0.355	0.075	Yes	ClamShell	1.070	0.510	0.740	04238 051 6215
6	0.067	PSMP	--	0.412	0.395	0.175	Yes	ClamShell	1.240	0.510	0.740	04245 051 6215
6	0.037	--	SOT-23-6	0.115	0.065	0.048	Yes	ClamShell	0.790	0.510	0.730	04331 121 6217
6	0.037	SOT	SOT-23-6	0.134	0.087	0.052	Yes	ClamShell	0.790	0.510	0.730	04331 121 6218A
6	0.037	--	SOT-23-6, TSOP-6	0.116	0.065	0.041	No	ClamShell	0.780	0.510	0.730	04331 121 6218B
6	0.037	--	SOT-23-6	0.115	0.065	0.052	Yes	ClamShell	0.790	0.510	0.750	04331 121 6218C
6	0.037	--	SOT-23, -24, -25, -26	0.114	0.065	0.045	Yes	ClamShell	1.120	0.510	0.740	04334 121 6215
6	0.037	--	SOT-23, -24, -25, -26	0.114	0.065	0.045	No	ClamShell	1.120	0.510	0.740	04334 121 6218
6	0.037	--	SOT-23	0.114	0.065	0.047	Yes	ClamShell	1.120	0.560	0.740	04334 121 6218B
6	0.037	--	SOT-23, -24, -25, -26	0.117	0.064	0.038	Yes	ClamShell	1.120	0.560	0.740	04334 121 6218C
6	0.037	SOT	SOT	0.118	0.067	0.047	No	ClamShell	1.120	0.560	0.740	04334 121 6218E
6	0.026	Gull Wing	SOIC	0.079	0.049	0.035	Yes	ClamShell	1.100	0.510	0.740	04335 121 6215
7	**	--	SKDO-178	0.275	0.300	0.075	No	ClamShell	1.230	1.160	0.750	03410 071 6217
7	0.100	Gull Wing	VOLT REG	0.415	0.415	0.122	No	ClamShell	1.630	1.600	2.030	07815 SKT ASSY
8	0.050	SOIC	16-SOIC	0.180	0.180	0.057	No	ClamShell	1.340	0.620	0.750	03337 161S6218A
8	0.050	--	8L Gull Wing	0.195	0.156	0.071	No	ClamShell	1.390	0.620	0.750	03337 161S6218Z
8	0.050	--	SA3736	0.180	0.180	0.070	No	ClamShell	1.340	0.620	0.750	03730 091 6215
8	0.040	Micro Path	Micro Path	0.360	0.130	0.180	No	ClamShell	1.070	0.510	0.740	04100 081 6215
8	0.050	--	HMX 2000-P11	0.244	0.208	0.137	No	ClamShell	1.070	0.550	0.750	04120 161 6218A
8	0.050	Power Flex	--	0.355	0.355	0.075	Yes	ClamShell	1.070	0.650	0.740	04137 071 6217
8	0.024	SOIC	--	0.114	0.063	0.041	No	ClamShell	0.790	0.510	0.730	04233 081 6215
8	0.050	KTN	--	0.370	0.355	0.075	Yes	ClamShell	1.070	0.510	0.740	04237 071 6215
8	0.020	SOIC	8L-SOIC	0.079	0.092	0.030	Yes	ClamShell	0.790	0.510	0.730	04320 081 6217
8	0.020	TSOP	TSOP8	0.079	0.069	0.041	No	ClamShell	0.780	0.510	0.720	04321 081 6217
8	0.020	SOIC	8L-SOIC	0.079	0.049	0.035	No	ClamShell	0.790	0.510	0.730	04322 081 X217
8	0.026	SOT	SOT-23	0.114	0.065	0.047	No	ClamShell	0.790	0.510	0.730	04334 081 6215
8	0.024	SOIC	8L-SOIC	0.114	0.063	0.041	No	ClamShell	0.790	0.510	0.730	04334 081 6218B
8	0.026	Micro	Micro 8	0.118	0.118	0.040	Yes	ClamShell	1.120	0.510	0.740	04335 081 6215
8	0.026	Mini SOIC	--	0.118	0.118	0.038	Yes	ClamShell	1.200	0.510	0.740	04335 081 6218A
8	0.026	Mini SOIC	--	0.118	0.118	0.038	No	ClamShell	1.200	0.510	0.740	04335 081 6218B
8	0.026	Mini SOIC	--	0.118	0.118	0.040	No	ClamShell	1.200	0.510	0.740	04335 081 6218C
8	0.026	TSSOP	TSSOP-8	0.118	0.173	0.043	Yes	ClamShell	1.250	0.570	0.740	04335 281 6218C
8	0.026	TSSOP	TSSOP-8	0.118	0.173	0.043	No	ClamShell	1.250	0.570	0.740	04335 281 6218F
8	0.026	SOT	SOT-23	0.114	0.064	0.046	Yes	ClamShell	1.120	0.510	0.740	04336 081 6215

** Pitch is not available due to package configuration --Contact sales for device size and specifications



勝特力材料 886-3-5753170
勝特力电子(上海) 86-21-34970699
勝特力电子(深圳) 86-755-83298787
[Http://www.100y.com.tw](http://www.100y.com.tw)

Gull Wing Sockets

I/O	Pitch (in)	Pkg Type	Pkg Name	Pkg Body L (in)	Pkg Body W (in)	Pkg H / T (in)	Kelvin	Style	Socket L (in)	Socket W (in)	Socket H (in)	P/N
8	0.050	SOIC	--	0.193	0.154	0.061	Yes	ClamShell	1.220	0.560	0.740	04337 081 6218A
8	0.050	SOIC	8L-SOIC	0.194	0.158	0.070	Yes	ClamShell	1.220	0.560	0.740	04337 161 6218A
8	0.050	SOIC	SOIC-8L	0.193	0.158	0.064	No	ClamShell	1.220	0.560	0.740	04337 161 6218D
8	0.050	SOIC	SOIC	0.193	0.154	0.061	No	ClamShell	1.220	0.560	0.740	04337 161 6218G
8	0.050	SOIC	SOIC	0.193	0.154	0.061	No	ClamShell	1.220	0.560	0.740	04337 161 6218H
8	0.050	SOIC	SOIC	0.193	0.154	0.061	No	ClamShell	1.220	0.560	0.740	04337 161 6218J
8	0.050	SOIC	SOIC	0.193	0.154	0.061	No	ClamShell	1.220	0.560	0.740	04337 161 6218K
8	0.026	DCT / SSOP	--	0.116	0.110	0.043	Yes	ClamShell	1.200	0.510	0.740	04338 081 6215
8	0.100	SMD	SMD-8	0.385	0.250	0.130	Yes	ClamShell	1.330	0.510	0.740	04340 081 6215
8	0.100	PDID	--	0.375	0.259	0.185	Yes	ClamShell	1.330	0.510	0.740	04340 081 6218A
8	0.050	Gull Wing	SOT	0.200	0.250	0.079	Yes	ClamShell	1.330	0.510	0.740	04340 081 6218B
8	0.050	SOIC	SOIC	0.193	0.154	0.061	Yes	ClamShell	1.220	0.650	0.740	04351 081 6215
8	0.050	SOIC	SOIC	0.193	0.164	0.061	Yes	ClamShell	1.220	0.650	0.740	04351 081 6218A
8	0.031	SOT	SOT23 L8	0.140	0.087	0.049	No	ClamShell	0.790	0.510	0.715	04354 081 6215
9	0.050	SOG	--	0.197	0.197	0.067	No	ClamShell	1.390	0.620	0.750	03730 091 6218B
9	0.075	KTA	--	0.770	0.380	0.075	Yes	ClamShell	1.310	0.910	0.740	04239 091 1218A
9	0.050	SO	SO-8	0.193	0.154	0.061	Yes	ClamShell	1.220	0.560	0.740	04337 161 6218B
9	0.050	SOIC	SOIC-8L	0.192	0.155	0.064	Yes	ClamShell	1.220	0.560	0.740	04337 161 6218C
10	0.050	--	HIP SO-10	0.375	0.367	0.136	No	ClamShell	1.570	1.050	0.750	03337 321 6218G
10	0.025	NAIO	NAIO-10	0.118	0.107	0.055	No	ClamShell	1.390	0.620	0.750	03875 161 6218A
10	0.050	SIR	--	0.520	0.270	0.245	No	ClamShell	1.290	0.840	0.710	04100 101 6215
10	0.075	KTA	--	0.770	0.380	0.075	Yes	ClamShell	1.090	0.910	0.740	04239 091 6215
10	0.020	Micro Max	--	0.118	0.118	0.040	Yes	ClamShell	1.200	0.510	0.740	04333 101 6215
10	0.020	Mini SOIC	--	0.118	0.118	0.043	No	ClamShell	1.200	0.510	0.740	04333 101 6218
10	0.020	TSSOP	10L-TSSOP	0.118	0.118	0.040	No	ClamShell	1.200	0.510	0.740	04333 101 6218A
10	0.050	Gull Wing	Gull Wing	0.256	0.256	0.067	Yes	ClamShell	1.380	0.710	0.740	04337 281 6218
10	0.050	Gull Wing	SOT	0.242	0.240	0.065	Yes	ClamShell	1.390	0.510	0.740	04340 101 6215
10	0.050	Gull Wing	SOT	0.266	0.248	0.065	Yes	ClamShell	1.330	0.510	0.740	04340 141 6218A
11	0.050	SIR	--	0.520	0.176	0.177	No	ClamShell	1.290	0.840	0.710	04100 111 6215
11	0.020	MSOP	10L-TSSOP	0.118	0.118	0.037	Yes	ClamShell	1.200	0.510	0.740	04333 111 6215
11	0.020	TSSOP	10L-TSSOP	0.118	0.118	0.037	No	ClamShell	1.200	0.510	0.740	04333 111 6218A
12	0.100	SOIC	12L-SOIC	0.613	0.330	0.200	No	ClamShell	1.080	0.730	0.740	04127 121 6215
12	0.039	P-DSO	P-DSO-12	0.307	0.303	0.102	Yes	ClamShell	1.390	0.630	0.740	04350 121 6215
12	0.031	--	--	0.193	0.154	0.062	Yes	ClamShell	1.220	0.560	0.740	04354 131 6215
12	0.031	Gull Wing		0.193	0.154	0.067	Yes	ClamShell	1.210	0.560	0.740	04354 131 6218A
12	0.032	SOIC	SOIC	0.193	0.154	0.062	No	ClamShell	1.030	0.610	0.440	Q0403 131 6218A
13	0.026	Gull Wing	--	0.159	0.118	0.039	Yes	ClamShell	1.250	0.510	0.740	04335 131 6215
14	0.026	TSSOP	TSSOP-16	0.197	0.173	0.041	Yes	ClamShell	1.250	0.510	0.740	04335 161 6218B
14	0.050	Wide Body SOIC	Wide Body SOIC	0.426	0.254	0.062	Yes	ClamShell	1.330	0.510	0.740	04337 141 6215
14	0.050	DBXCPDSO-GILD	DBXCPDSO-GILD	0.426	0.251	0.068	Yes	ClamShell	1.550	0.870	0.510	04337 141 6218B
14	0.050	--	SP-13	0.437	0.238	0.195	No	ClamShell	1.330	0.510	0.740	04337 141 6218C
14	0.050	--	SP-13	0.437	0.238	0.154	No	ClamShell	1.330	0.510	0.740	04337 141 6218E
14	0.050	SOIC	SOIC	0.340	0.154	0.070	Yes	ClamShell	1.220	0.560	0.740	04337 161 6218F

-- Contact Sales for device sizes and specifications



Gull Wing Sockets

勝特力材料 886-3-5753170
 勝特力电子(上海) 86-21-34970699
 勝特力电子(深圳) 86-755-83298787
[Http://www.100y.com.tw](http://www.100y.com.tw)

I/O	Pitch (in)	Pkg Type	Pkg Name	Pkg Body (in)	L Pkg Body (in)	W Pkg Body (in)	H / T Kelvin (in)	Style	Socket L (in)	Socket W (in)	Socket H (in)	P/N
14	0.050	SOIC	SOIC	0.340	0.154	0.070	Yes	ClamShell	1.220	0.560	0.740	04337 161 6218L
15	0.050	KTC	--	0.380	0.770	0.075	Yes	ClamShell	1.440	0.910	0.510	04237 151 1218A
15	0.050	KTC	--	0.770	0.380	0.075	Yes	ClamShell	1.220	0.965	0.740	04237 151 6215
15	0.050	KTC	--	0.380	0.761	0.075	Yes	ClamShell	1.170	0.965	0.740	04237 151 6218B
15	0.026	Gull Wing	--	0.193	0.154	0.060	Yes	ClamShell	1.250	0.510	0.740	04335 141 6215
15	0.026	SOT	SOT	0.197	0.173	0.039	Yes	ClamShell	1.250	0.510	0.740	04335 161 6218E
16	0.050	SOT	SOT-109A (SOIC)	0.394	0.158	0.070	No	ClamShell	1.390	0.620	0.740	03337 161S6215
16	0.050	SMD	--	0.270	0.235	0.085	No	ClamShell	1.430	0.620	0.750	03337 161S6218
16	0.050	SOIC	16L-SOIC	0.640	0.220	0.085	No	ClamShell	1.340	0.620	0.750	03337 161S6218B
16	0.050	SMD	--	0.39	0.235	0.068	No	ClamShell	1.340	0.820	0.750	03337 161S6218I
16	0.050	SOIC	16L-SOIC	0.330	0.330	***	No	ClamShell	1.430	0.620	0.750	03337 161S6218R
16	0.050	SO	SO-8	--	--	--	No	ClamShell	1.390	0.620	0.750	03337 161S6218T
16	0.030	Gull Wing	FlatPack	0.230	0.230	0.057	No	ClamShell	1.070	1.020	0.750	03725 161 6218A
16	0.026	SSOP	28L-SSOP	0.244	0.209	0.073	No	ClamShell	1.340	0.620	0.750	03825 281 6218A
16	0.025	MSOP	--	0.193	0.107	0.052	No	ClamShell	1.340	0.620	0.750	03875 161 6215
16	0.025	SSOP	16L-SSOP	0.175	0.154	0.055	No	ClamShell	1.390	0.620	0.750	03925 281 6218A
16	0.050	SOIC	SA 30E SOIC	0.435	0.206	0.167	No	ClamShell	1.070	0.550	0.750	04120 161 6215
16	0.050	SOIC	SAR 10 SOIC	0.050	0.311	0.167	No	ClamShell	1.120	0.550	0.750	04122 161 6215
16	0.100	Gull Wing	Gull Wing	1.000	1.000	0.200	No	ClamShell	1.820	1.310	0.830	04127 161 6217
16	0.026	TSSOP	16L-TSSOP	0.197	0.173	0.043	Yes	ClamShell	1.250	0.510	0.740	04335 161 6215
16	0.026	TSSOP	TSSOP-16	0.236	0.173	0.045	No	ClamShell	1.250	0.510	0.740	04335 161 6218A
16	0.026	SOT	SOT	0.197	0.173	0.043	Yes	ClamShell	1.250	0.510	0.740	04335 161 6218D
16	0.050	SOP / SOIC	--	0.390	0.154	0.070	Yes	ClamShell	1.220	0.560	0.740	04337 161 6215
16	0.050	SOIC	SOIC	0.390	0.154	0.061	No	ClamShell	1.220	0.560	0.730	04337 161 6218E
16	0.050	SOIC	16L-SOIC	0.402	0.295	0.100	Yes	ClamShell	1.380	0.860	0.740	04337 281 6218E
17	0.030	Gull Wing	FlatPack	0.230	0.230	0.057	No	ClamShell	1.070	1.020	0.750	03725 171 6217
17	0.031	--	--	0.277	0.277	0.085	No	ClamShell	1.120	0.550	0.750	04124 171 6215
17	0.031	--	--	0.277	0.277	0.085	No	ClamShell	1.120	0.550	0.750	04124 171 6218A
17	0.020	Gull Wing	--	0.159	0.118	0.039	Yes	ClamShell	1.200	0.510	0.740	04320 171 6217
17	0.020	Gull Wing	PwSSO-16	0.193	0.154	0.060	Yes	ClamShell	1.390	0.630	0.740	04333 171 6217
17	Multi	HSOP16	SOT822-1	0.626	0.433	0.138	No	ClamShell	1.250	0.730	0.740	04352 171 6217
18	0.055	TO	TO-263	0.364	0.850	0.173	Yes	ClamShell	1.300	1.030	0.740	04230 151 6215
20	0.026	TSSOP	TSSOP-20	0.256	0.173	0.043	Yes	ClamShell	1.250	0.570	0.740	04335 281 6218E
20	0.026	TSSOP	TSSOP-8	0.256	0.173	0.039	Yes	ClamShell	1.250	0.570	0.740	04335 281 6218G
20	0.050	SOIC	20L-SOIC	0.626	0.433	0.132	Yes	ClamShell	1.475	0.660	0.740	04337 201 6215
20	0.050	SOT	SOT-163-1	0.500	0.295	0.100	Yes	ClamShell	1.380	0.088	0.740	04337 281 6218D
20	0.050	SO	SO	0.610	0.340	0.074	Yes	ClamShell	1.540	0.850	0.740	04350 201 X217
23	0.070	Gull Wing	--	1.142	0.472	0.128	No	ClamShell	1.370	1.260	0.750	04357 131 6217
23	0.070	Gull Wing	--	1.142	0.472	0.128	No	ClamShell	1.370	1.260	0.750	04357 301 6218A
24	0.025	SSOP	24L-SSOP	0.395	0.154	0.055	No	ClamShell	1.340	0.620	0.750	03925 281 6218B
24	0.030	--	SP6T	0.381	0.266	0.070	No	ClamShell	1.110	0.560	0.740	04113 241 6217
24	0.025	Gull Wing	SSOP	0.340	0.154	0.061	No	ClamShell	1.250	0.570	0.740	04323 281 6218A
24	0.026	Gull Wing	--	0.341	0.154	0.067	Yes	ClamShell	1.250	0.570	0.740	04334 241 6215

-- Contact Sales for device sizes and specifications



勝特力材料 886-3-5753170
 勝特力电子(上海) 86-21-34970699
 勝特力电子(深圳) 86-755-83298787
 Http://www.100y.com.tw

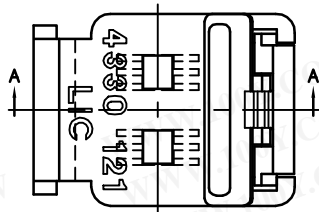
Gull Wing Sockets

I/O	Pitch (in)	Pkg Type	Pkg Name	Pkg Body L (in)	Pkg Body W (in)	Pkg H / T (in)	Kelvin	Style	Socket L (in)	Socket W (in)	Socket H (in)	P/N
24	0.026	Gull Wing	Gull Wing	0.341	0.154	0.067	Yes	ClamShell	1.250	0.570	0.740	04334 281 6218A
24	0.026	SSOP	SSOP	0.323	0.209	0.073	Yes	ClamShell	1.340	0.630	0.740	04335 241 6215
24	0.026	TSSOP	24L-TSSOP	0.307	0.173	0.047	Yes	ClamShell	1.250	0.570	0.740	04335 281 6218A
24	0.026	TSSOP	TSSOP24	0.307	0.173	0.043	Yes	ClamShell	1.250	0.570	0.740	04335 281 6218B
28	0.050	SOT	SOT-136, 137, 167, 163	0.780	0.310	0.070	No	ClamShell	1.870	1.220	0.760	03337 281 6215
28	0.026	SSOP	28L-SSOP	0.402	2.090	0.073	No	ClamShell	1.340	0.620	0.750	03825 281 6215
28	0.025	SSOP	28L-SSOP	0.395	0.154	0.055	No	ClamShell	1.340	0.620	0.750	03925 281 6215
28	0.025	SSOP	SSOP	0.198	0.154	0.055	No	ClamShell	1.390	0.620	0.750	03925 281 6218
28	0.025	Gull Wing	SSOP	0.395	0.154	0.055	Yes	ClamShell	1.250	0.570	0.740	04323 281 6217
28	0.033	Gull Wing		0.392	0.154	0.067	Yes	ClamShell	1.250	0.570	0.740	04334 281 6215
28	0.026	TSSOP	TSSOP28	0.390	0.173	0.040	Yes	ClamShell	1.250	0.570	0.740	04335 281 6215
28	0.026	TSSOP	TSSOP28	0.382	0.173	0.039	Yes	ClamShell	1.250	0.570	0.740	04335 281 X218H
28	0.050	SOIC	28L-SOIC	0.706	0.296	0.100	Yes	ClamShell	1.380	0.860	0.740	04337 281 6215
28	0.050	SOIC	28L-SOIC	0.604	0.295	0.098	Yes	ClamShell	1.380	0.860	0.740	04337 281 6218B
28	0.050	SOIC	28L-SOIC	0.705	0.295	0.104	Yes	ClamShell	1.380	0.860	0.740	04337 281 6218C
30	0.031	--	--	0.504	0.295	0.104	No	ClamShell	1.100	0.650	0.730	04124 301 6217
32	0.050	SOIC	32L-SOIC	0.840	0.400	0.065	No	ClamShell	1.650	1.050	0.750	03337 321 6215
32	0.050	SOT	SOT287	0.807	0.295	0.104	No	ClamShell	1.120	0.950	0.750	03437 321 6217
32	0.039	Gull Wing	Gull Wing	0.774	0.335	0.169	No	ClamShell	1.130	0.950	0.750	04125 321 6217
34	0.040	SOIC	34L-SOIC	0.715	0.300	0.101	No	ClamShell	1.650	1.050	0.750	03340 341 6215
38	0.020	Gull Wing	--	0.382	0.173	0.041	No	ClamShell	1.010	0.610	0.740	04320 381 6217
44	0.020	SSOP	44 L SSOP	0.504	0.209	0.073	No	ClamShell	1.070	0.650	0.740	04320 441 6217
47	0.020	Gull Wing	PwSSO-46	0.626	0.433	0.130	Yes	ClamShell	1.630	0.850	0.740	04333 471 6217

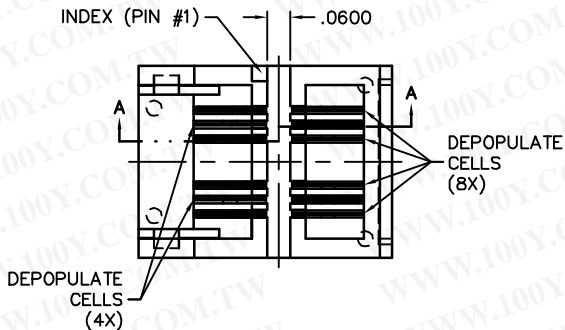
-- Contact Sales for device sizes and specifications



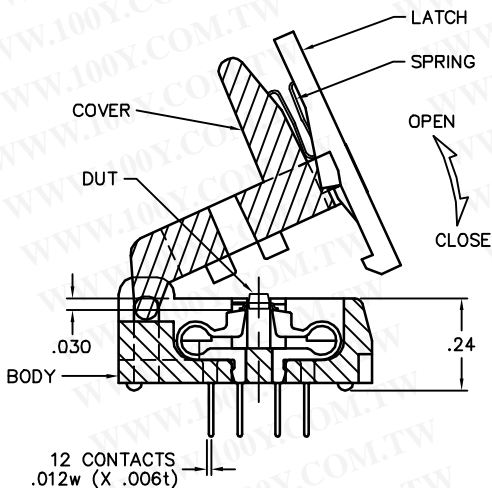
KELVIN (POWER & SENSE) DESIGN



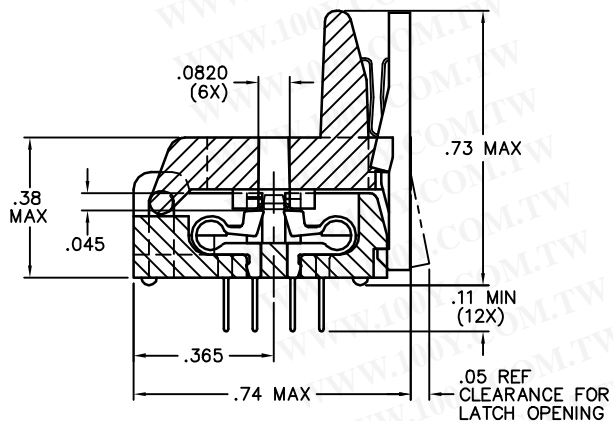
TOP VIEW COVER



TOP VIEW WITH COVER REMOVED

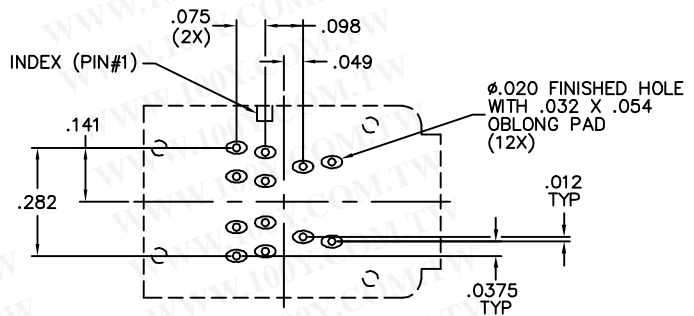


**SECTION "A"-"A"
(SOCKET OPENING)**



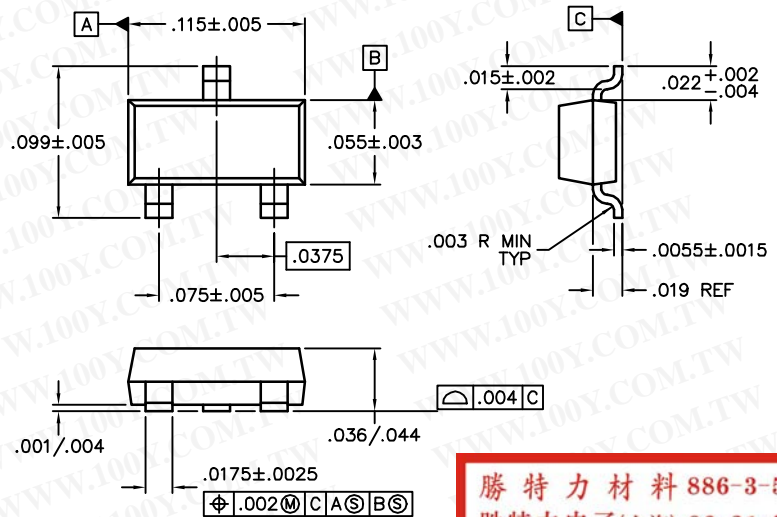
**SECTION "A"-"A"
(SOCKET CLOSED)**

RECOMMENDED P.T.H. PATTERN

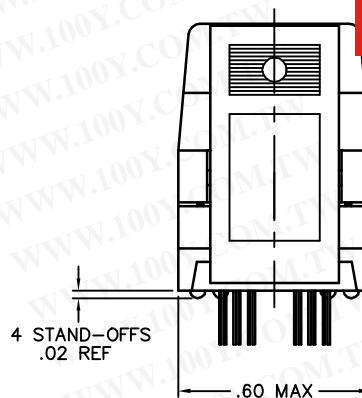


VIEW FROM THE TOP

DEVICE TYPE : "NATIONAL SEMICONDUCTOR" MOLDED PACKAGE, SUPER-SOT, 3 LEAD
REFER TO "NATIONAL SEMICONDUCTOR" DWG. NO. (SC)MKT-MA03B REV. B



(SCALE : 8/1)



FRONT VIEW

勝特力材料 886-3-5753170
勝特力电子(上海) 86-21-34970699
勝特力电子(深圳) 86-755-83298787
[Http://www.100y.com.tw](http://www.100y.com.tw)

INTERNAL USE ONLY

NOTICE : Dwg. is subject to change w/out notice and is L.I.C. proprietary in design and content.

REVISION

Tolerance In Inches
 .xx ± .01 fract.
 .xxx ± .005 ang.
 .xxxx ± .0020

DRAFTED by/date
 SBR/8-26-98

CHECKED by/date

Orig. Release

SCALE
 2/1

FILE NO. 4330061

ISSUE DATE

PAGE NO. 1 OF 1