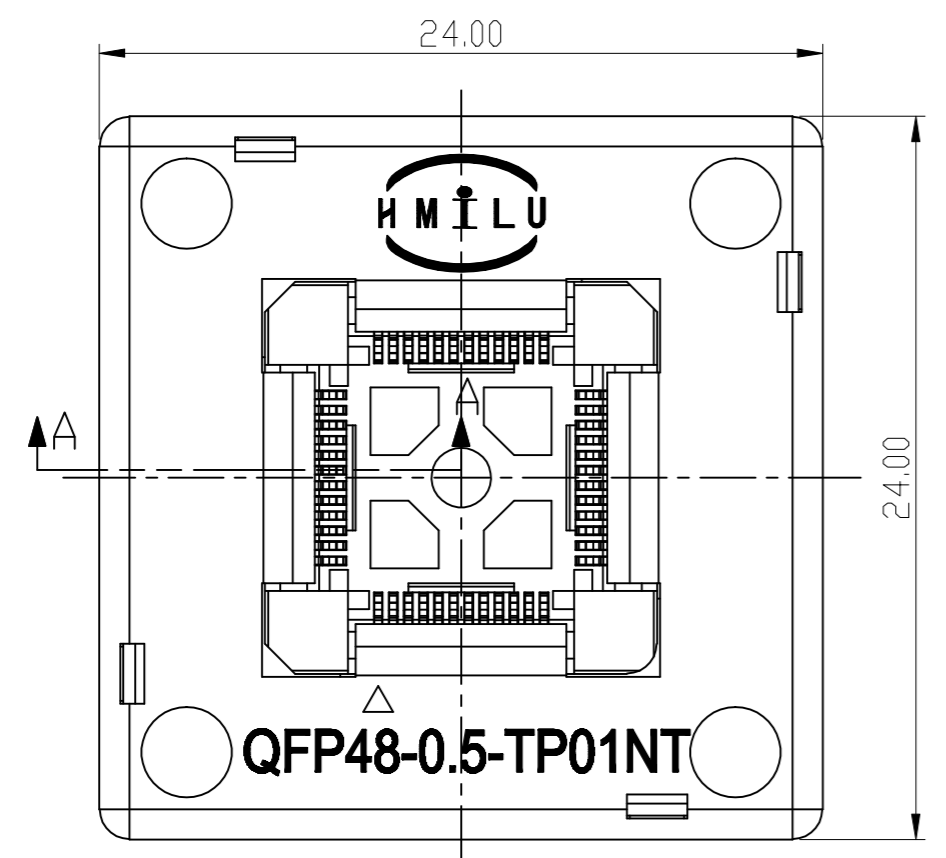
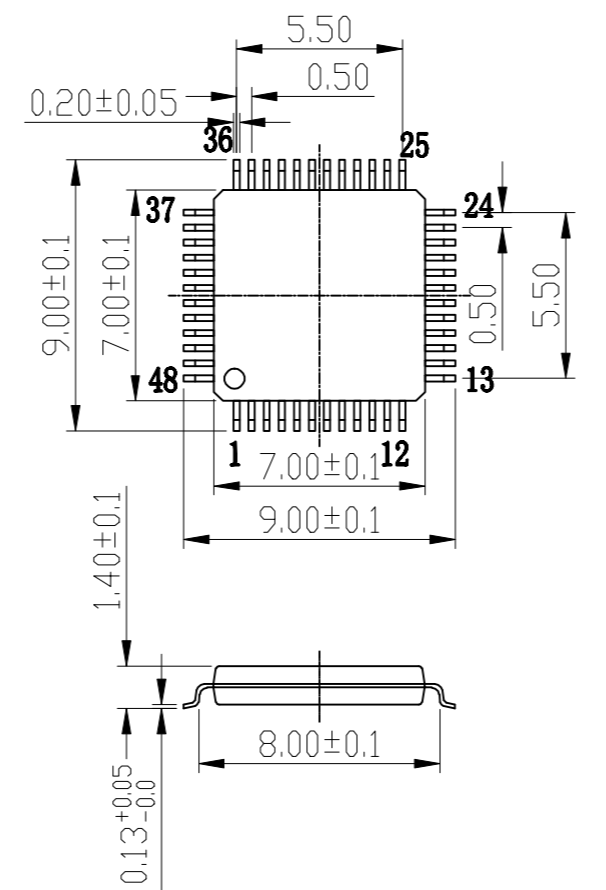


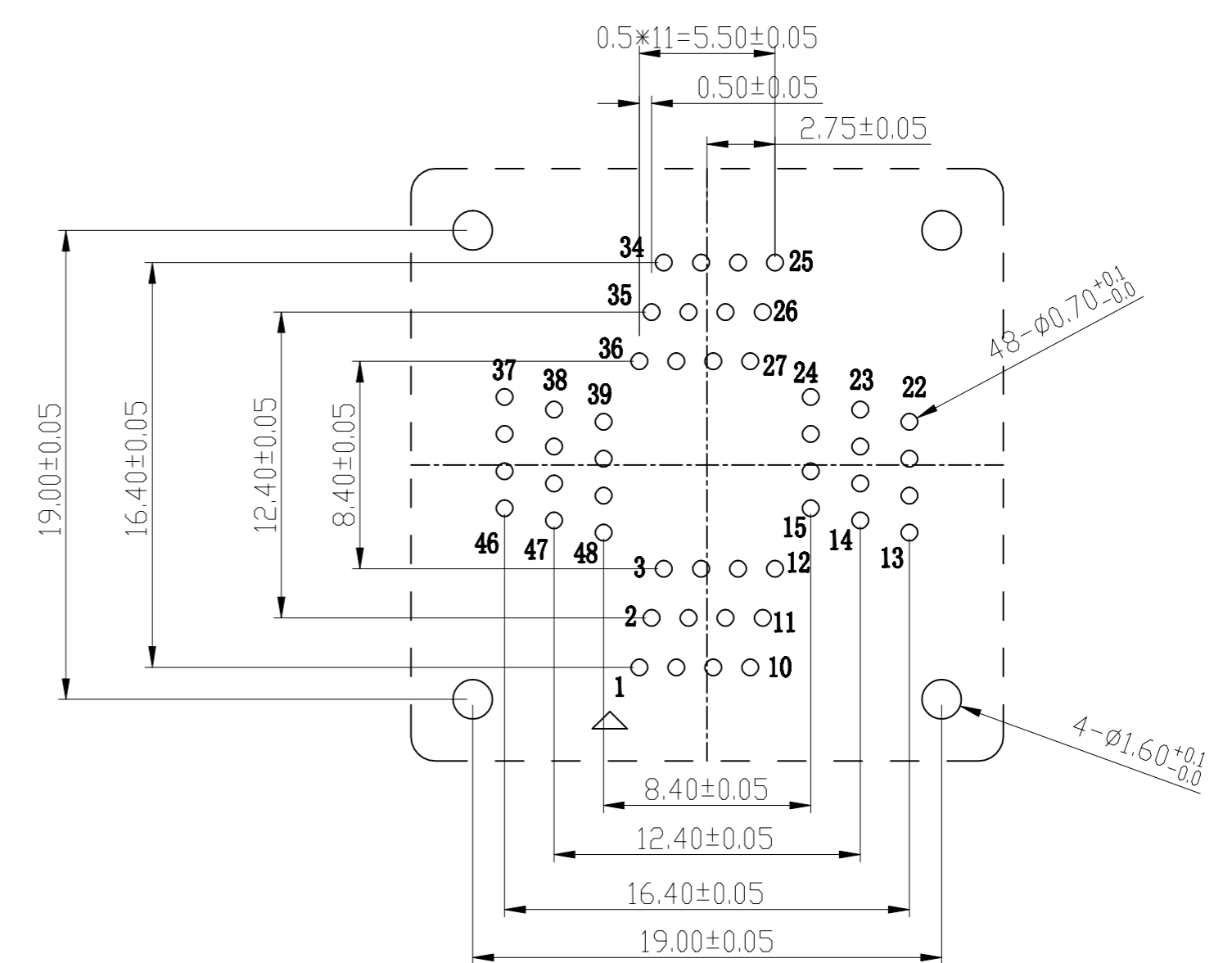
REVISION	DESCRIPTION	CHECK APP	DATE	REV.NOTICE.NO
△1				
△2				
△3				



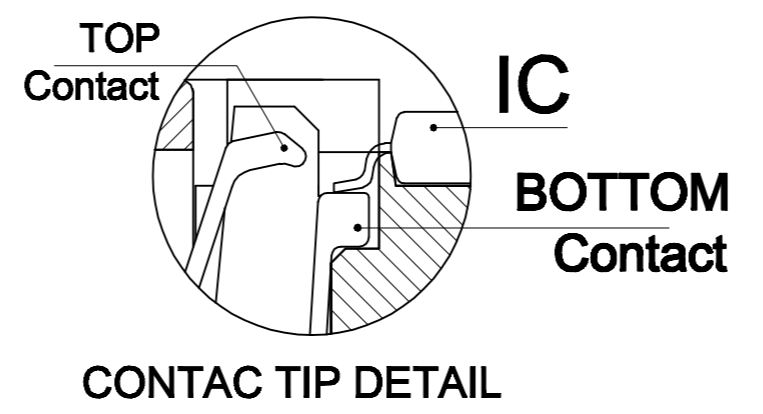
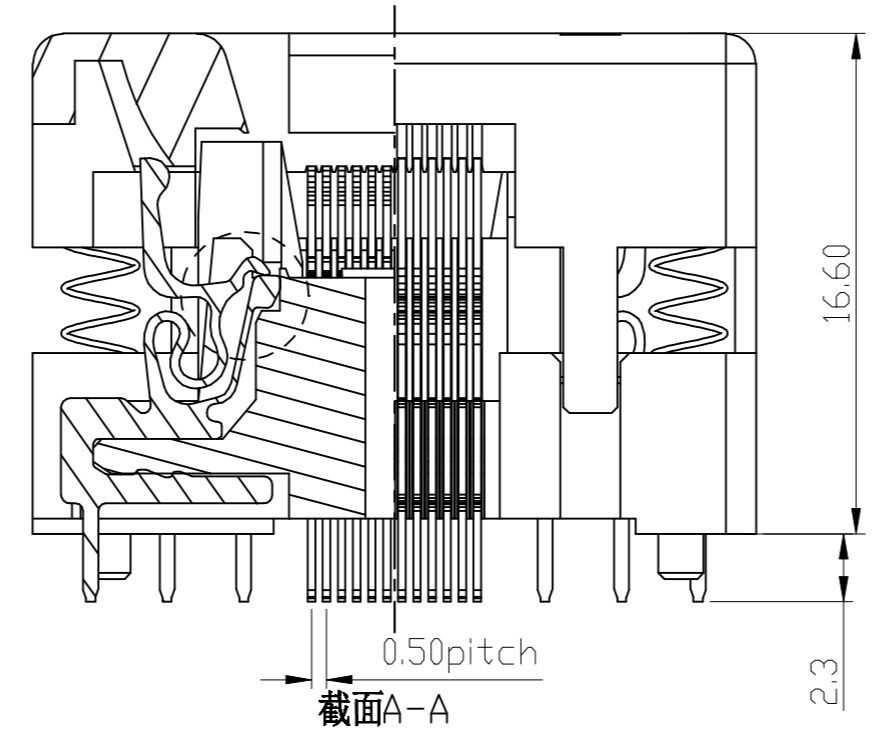
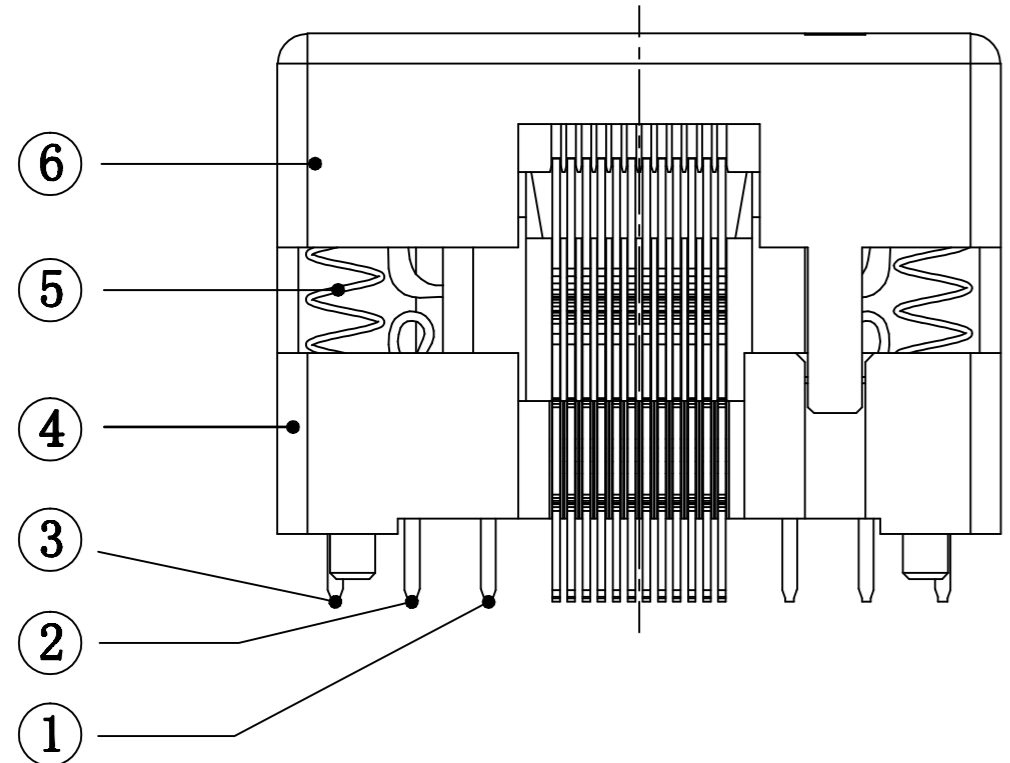
APPLICABLE IC



PCB PATTERN (TOP VIEW)



Insertion



CONTACT LEAD
W0.45XTO.25

PERFORMANCE

- 1、Insulation Resistance: 1000M Ω Min.At DC 500V
- 2、Dielectric Withstanding Voltage For 1 Minute At AC500V
- 3、Contact Resistance(Initial) 100m Ω MAX at 10mA
- 4、Rated Current: 1.0A.
- 5、Operation Temperature range -65°C ~+150°C
- 6、Terminal strength against pulling 0.5Kg(1min)
- 7、Insertion Min10000 cycle (Mechanical)
- 8、Material: Body:PAI,PES; Contact:BeCu,Au plating(Ni-base)

No	Part Number	Name	Material	Q/ty	Note	TOLERANCE	PROJECTION	GENERAL TOLERANCES	±0.10	TITLE	QFP48-0.5 SOCKET
6	QFP48-0.5-XCR	COVER	PEI/PES	1	BLACK	X. ±0.50	DIMENSION: mm	REV	A	CLASS	QFP48-0.5-TP01NT
5	30-B-4515X	SPRING	SUS	4	FOR COVER	X.X ±0.25	APP:	SCALE: 1:1	DATE:	DRW. NO	01
4	QFP48-0.5-XBY	BODY	PEI/PES	1	BLACK	X.XX ±0.10	CHECK:	DATE:			
3	QFP48-0.5-XCTC	CONTACT	BeCu	16	FOR COVER	X.XXX±0.05	DEGK: ENG03	DATE: 20190305			
2	QFP48-0.5-XCTB	CONTACT	BeCu	16	BLACK						
1	QFP48-0.5-XCTA	CONTACT	BeCu	16	Au PLATING						

