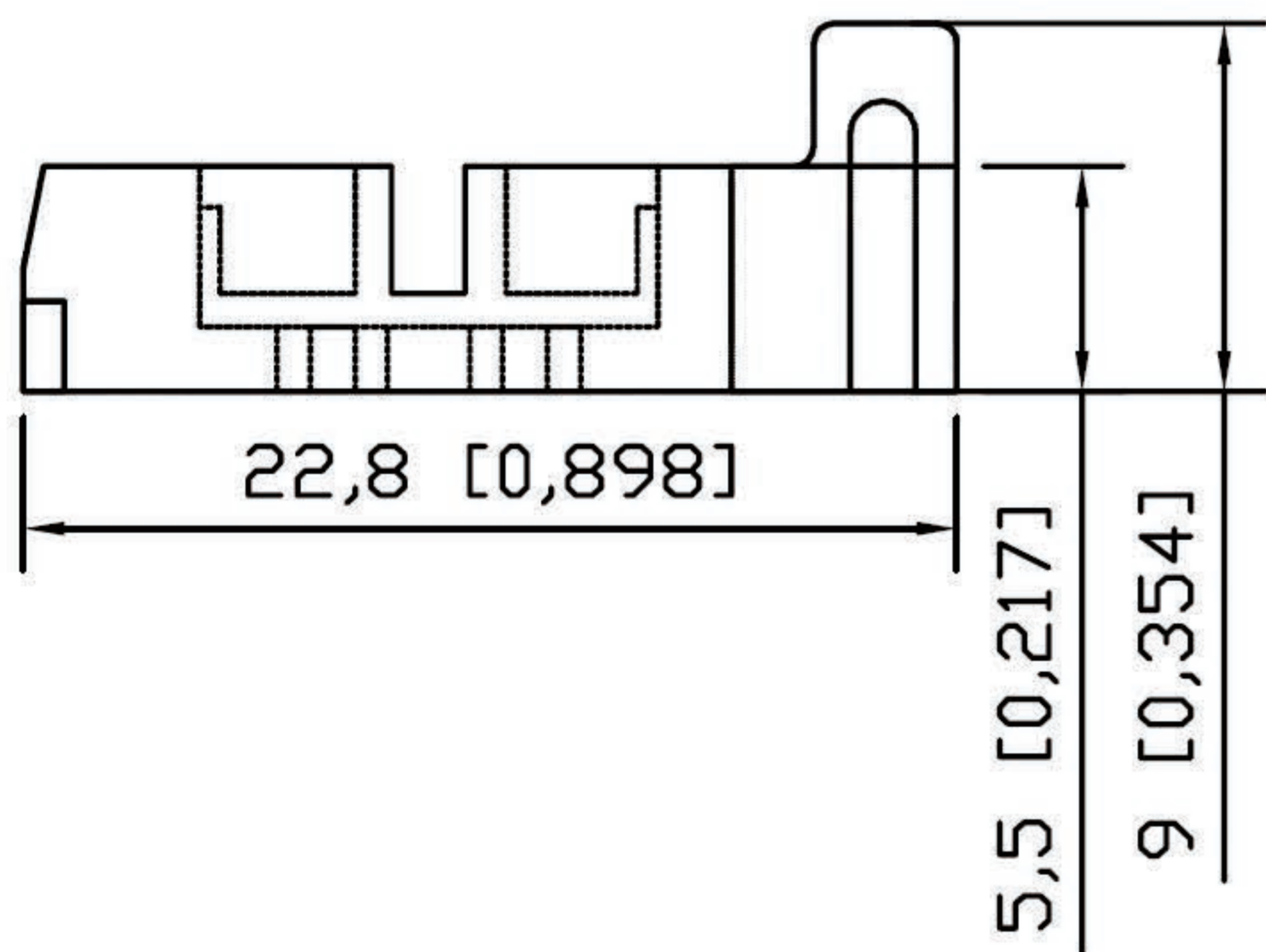


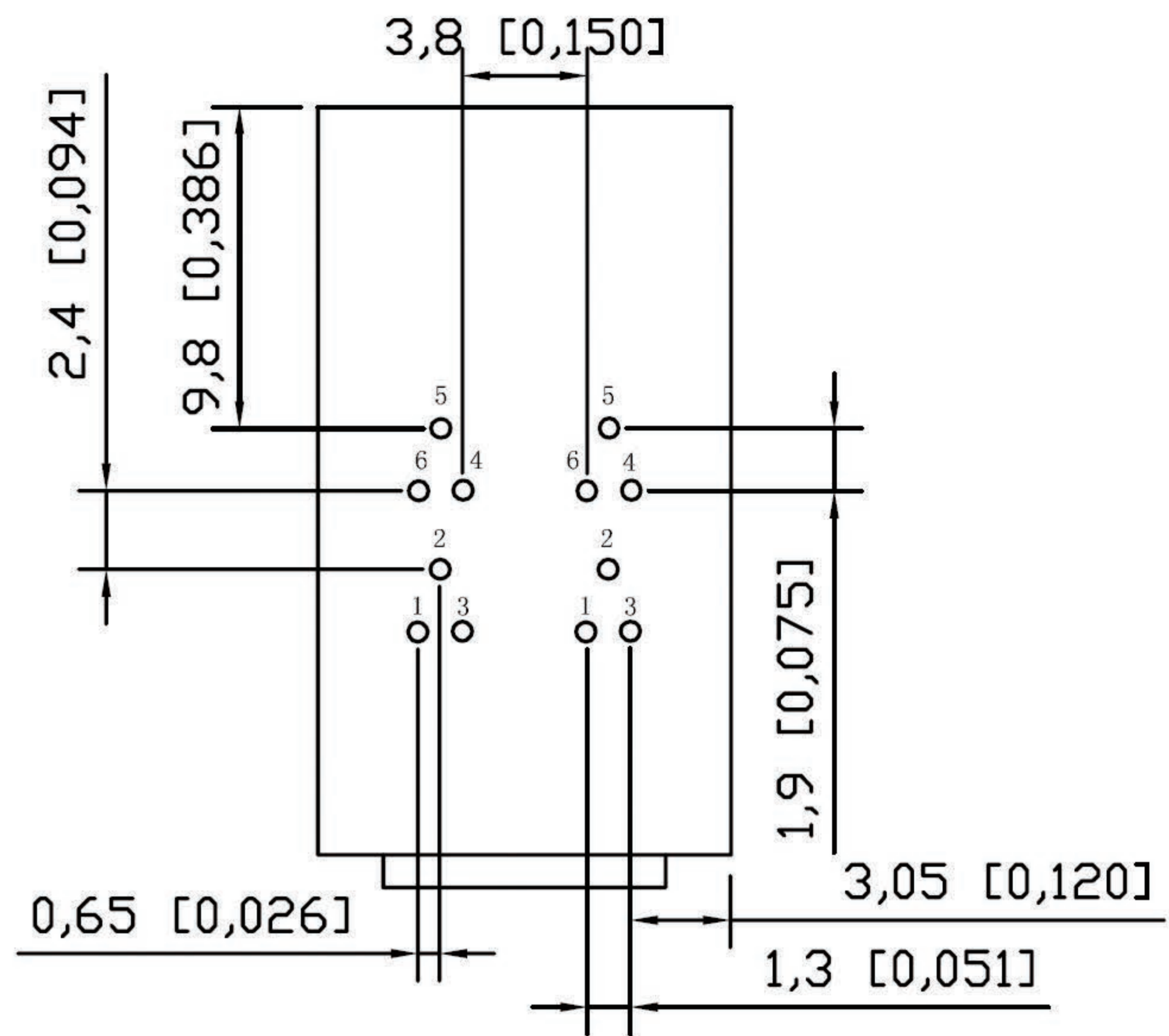
TOP VIEW WITH COVER REMOVED



FRONT VIEW

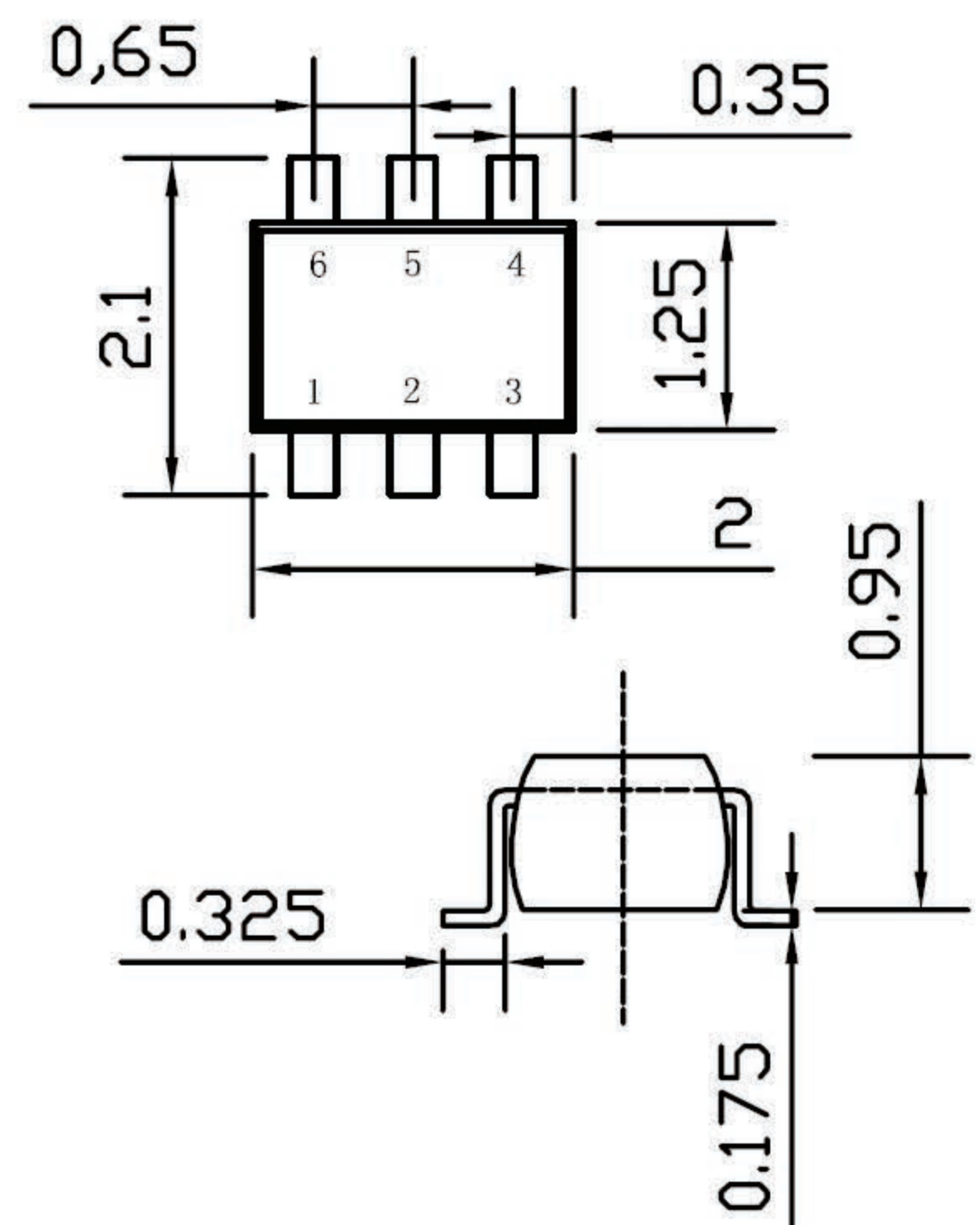
RECOMMENDED P. T. H. PATTERN(TOP VIEW)

USE  $\phi 0.5$ [0.020] MIN HOLE



Packaging Information

UNIT mm



SOT363-6L翻盖式