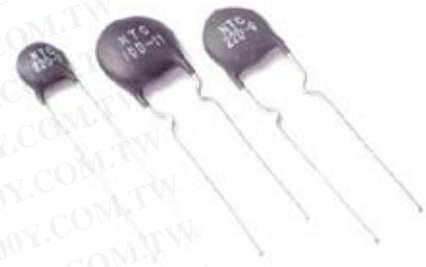




## MF72 Surge Current Limiting NTC Thermistor

### Features

1. MF72 series in the form of radial resin coated form.
2. Small dimension, powerful, strong in inrush current limiting.
3. Fast feedback.
4. large material constant, lower residue resistance.
5. Long life, high reliability.
6. Complete part, wide operation range.
7. Operating temperature -55~+200



### Application

1. Conversion power, switch mode power supply, UPS power.
2. Energy saving lights, ballast.
3. Electronic circuit, power supply circuit.

勝特力材料 886-3-5753170  
 勝特力电子(上海) 86-21-34970699  
 勝特力电子(深圳) 86-755-83298787  
 Http://www.100y.com.tw

### Selection Principle

1. Maximum operating current > Actual operating current in the power loop
2. Rated zero power resistance at 25C

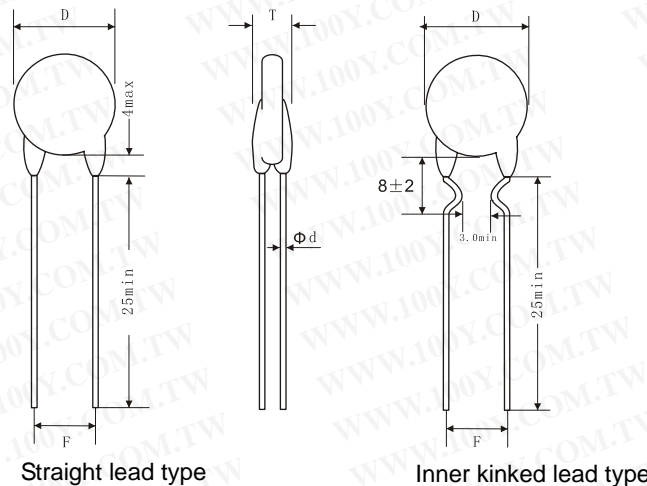
$$R \geq \frac{\sqrt{2}E}{I_m}$$

of which, E: loop voltage, I<sub>m</sub>: Surge current

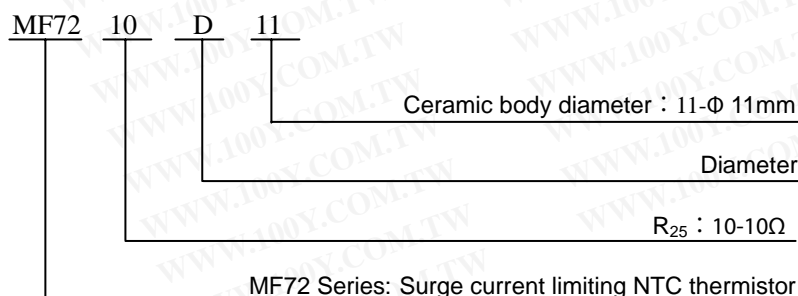
For conversion power, reversion power, switch power, UPS power, I<sub>m</sub>=100 times operating current

For filament, heater, I<sub>m</sub> =30 times operating current

### Outlook and Dimension (Unit : mm)



### Marking of Part Number





## MF72 Surge Current Limiting NTC Thermistor

### Data Sheet

Part Number	Resistance @25 R <sub>25</sub> (Ω)	Max. Stable Current (A)	Approx. Resistance at max. current (Ω)	Dissipation Factor (mW/ )	Thermal Time Constant (S)	Operating Temperature ( )	Dimension (mm)			
							D±2	Tmax	F±1	Φd
MF72-5D5	5	1	0.353	6	20	-55~+200	6.5	5	5/2.5	0.6/0.45
MF72-10D5	10	0.7	0.771	6	20		6.5	5	5/2.5	0.6/0.45
MF72-60D5	60	0.5	1.878	6	18		6.5	5	5/2.5	0.6/0.45
MF72-200D5	200	0.1	6.259	6	18		6.5	5	5/2.5	0.6/0.45
MF72-5D7	5	2	0.283	10	30		8.5	5	5	0.6
MF72-8D7	8	1	0.539	9	28		8.5	5	5	0.6
MF72-10D7	10	1	0.616	9	27		8.5	5	5	0.6
MF72-22D7	22	0.6	1.108	9	27		8.5	5	5	0.6
MF72-33D7	33	0.5	1.485	10	28		8.5	5	5	0.6
MF72-200D7	200	0.2	6.233	11	28		8.5	5	5	0.6
MF72-3D9	3	4	0.120	11	35		10.5	5.5	7.5/5	0.8/0.6
MF72-5D9	5	3	0.210	11	34		10.5	5.5	7.5/5	0.8/0.6
MF72-8D9	8	2	0.400	11	32		10.5	5.5	7.5/5	0.8/0.6
MF72-10D9	10	2	0.458	11	32		10.5	5.5	7.5/5	0.8/0.6
MF72-16D9	16	1	0.802	11	31		10.5	5.5	7.5/5	0.8/0.6
MF72-20D9	20	1	0.864	11	30		10.5	5.5	7.5/5	0.8/0.6
MF72-22D9	22	1	0.950	11	30		10.5	5.5	7.5/5	0.8/0.6
MF72-33D9	33	1	1.124	11	30		10.5	5.5	7.5/5	0.8/0.6
MF72-60D9	60	0.8	1.502	11	30		10.5	5.5	7.5/5	0.8/0.6
MF72-200D9	200	0.5	5.007	11	32		10.5	5.5	7.5/5	0.8/0.6
MF72-2.5D11	2.5	5	0.095	13	43		12.5	5.5	7.5/5	0.8/0.6
MF72-5D11	5	4	0.156	13	45		12.5	5.5	7.5/5	0.8/0.6
MF72-8D11	8	3	0.255	14	47		12.5	5.5	7.5/5	0.8/0.6
MF72-10D11	10	3	0.275	14	47		12.5	5.5	7.5/5	0.8/0.6
MF72-16D11	16	2	0.470	14	50		12.5	5.5	7.5/5	0.8/0.6
MF72-22D11	22	2	0.563	15	52		12.5	5.5	7.5/5	0.8/0.6
MF72-33D11	33	1.5	0.734	15	52		12.5	5.5	7.5/5	0.8/0.6
MF72-60D11	60	1.5	1.215	15	52		12.5	5.5	7.5/5	0.8/0.6
MF72-1.3D13	1.3	7	0.062	13	60		14.5	6	7.5	0.8
MF72-1.5D13	1.5	7	0.073	13	60		14.5	6	7.5	0.8
MF72-2.5D13	2.5	6	0.088	13	60		14.5	6	7.5	0.8
MF72-3D13	3	6	0.092	14	60		14.5	6	7.5	0.8
MF72-5D13	5	5	0.125	15	68		14.5	6	7.5	0.8
MF72-8D13	8	4	0.194	15	60	14.5	6	7.5	0.8	
MF72-10D13	10	4	0.206	15	65	14.5	6	7.5	0.8	
MF72-15D13	15	3	0.335	16	60	14.5	6	7.5	0.8	
MF72-16D13	16	3	0.338	16	60	14.5	6	7.5	0.8	
MF72-47D13	47	2	0.810	17	65	14.5	6	7.5	0.8	
MF72-1.3D15	1.3	8	0.048	18	68	16.5	6	10/7.5	0.8	



## MF72 Surge Current Limiting NTC Thermistor

MF72-1.5D15	1.5	8	0.052	19	69	16.5	6	10/7.5	0.8
MF72-3D15	3	7	0.075	18	76	16.5	6	10/7.5	0.8
MF72-5D15	5	6	0.112	20	76	16.5	6	10/7.5	0.8
MF72-8D15	8	5	0.178	20	80	16.5	6	10/7.5	0.8
MF72-10D15	10	5	0.180	20	75	16.5	6	10/7.5	0.8
MF72-15D15	15	4	0.268	21	85	16.5	6	10/7.5	0.8
MF72-16D15	16	4	0.276	21	70	16.5	6	10/7.5	0.8
MF72-47D15	47	3	0.680	21	86	16.5	6	10/7.5	0.8
MF72-0.7D20	0.7	12	0.018	25	89	21.5	7	10/7.5	1.0
MF72-1.3D20	1.3	9	0.037	24	88	21.5	7	10/7.5	1.0
MF72-3D20	3	8	0.055	24	88	21.5	7	10/7.5	1.0
MF72-5D20	5	7	0.087	23	87	21.5	7	10/7.5	1.0
MF72-8D20	8	6	0.142	25	105	21.5	7	10/7.5	1.0
MF72-0.7D25	0.7	13	0.014	30	120	26.5	8	10	1.0
MF72-1.5D25	1.5	10	0.027	30	121	26.5	8	10	1.0
MF72-3D25	3	9	0.044	32	124	26.5	8	10	1.0
MF72-5D25	5	8	0.070	32	125	26.5	8	10	1.0

勝特力材料 886-3-5753170  
勝特力电子(上海) 86-21-34970699  
勝特力电子(深圳) 86-755-83298787  
[Http://www.100y.com.tw](http://www.100y.com.tw)