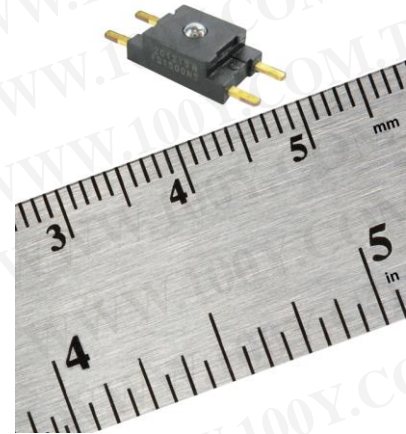


勝特力材料 886-3-5753170
勝特力电子(上海) 86-21-34970699
勝特力电子(深圳) 86-755-83298787
[Http://www.100y.com.tw](http://www.100y.com.tw)

FSS Series

Low Profile Force Sensor



DESCRIPTION

The FSS Series Force Sensor provides precise, reliable force sensing performance in a compact, commercial-grade package at a cost effective price. The sensor features a proven sensing technology that uses a specialized piezoresistive, micromachined silicon sensing element. The low power, unamplified, uncompensated Wheatstone bridge circuit design provides inherently stable mV outputs over the force range.

Force sensors operate on the principle that the resistance of silicon-implanted piezoresistors will increase when the resistors flex under any applied force. The sensor concentrates force from the application, through the stainless steel ball, directly to the silicon-sensing element. The amount of resistance changes in proportion to the amount of force being applied. This change in circuit resistance results in a corresponding mV output level change.

The sensor package design incorporates patented modular construction. The use of innovative elastomeric technology and engineered molded plastics results in overforce capacities of up to three times the rated force. The stainless steel ball provides excellent mechanical stability and is adaptable to a variety of applications.

The FSS Series Sensor delivered 20 million operations in Mean Cycles to Failure (MCTF) reliability testing at 50°C [122°F]. This test determines the number of possible sensor operations at full scale until failure.

FEATURES AND BENEFITS

- RoHS-compliant materials meet Directive 2002/95/EC allows use in industries requiring regulation compliance
- Low deflection (approx. 30 μm typical at full scale) helps reduce measurement error
- Direct mechanical coupling of the actuation ball to the sense element reduces coupling errors and keeps mechanical hysteresis to a minimum
- Product rating of 20 million MCTF at 25 °C [77 °F], subject to application variation, provides for consistent output over time and reduces repairs or replacements
- Small size minimizes space on the printed circuit board (PCB)
- Provides enhanced sensitivity without compromising signal integrity, resulting in low system noise and reducing measurement errors
- Electrically ratiometric output accommodates supply voltage variations, leading to low ratiometricity error
- Low voltage supply allows for use in many battery powered applications
- High resistance to electrostatic discharge (ESD) meets ESD Sensitivity Classification Level 3B (8 KV), reducing special handling during assembly
- Sensor output has low sensitivity to many mounting stresses

POTENTIAL APPLICATIONS

Medical

- Infusion pumps
- Ambulatory non-invasive pumps
- Occlusion detection
- Kidney dialysis machines
- Enteral pumps

Industrial

- Load and compression sensing
- Variable tension control
- Robotic end-effectors
- Wire bonding equipment

FSS Series

勝特力材料 886-3-5753170
 勝特力电子(上海) 86-21-34970699
 勝特力电子(深圳) 86-755-83298787
[Http://www.100y.com.tw](http://www.100y.com.tw)

Table 1. Performance Characteristics (At 10 ±0.01 Vdc, 25 °C [77 °F].)¹

Characteristic	Unit	FSS005WNSX			FSS010WNSX			FSS015WNSX			FSS020WNSX		
		Min.	Typ.	Max.	Min.	Typ.	Max.	Min.	Typ.	Max.	Min.	Typ.	Max.
Force sensing range	N	0 to 5			0 to 10			0 to 15			0 to 20		
Excitation ²	Vdc	3.3	10	12.5	3.3	10	12.5	3.3	10	12.5	3.3	10	12.5
Null offset ³	mV	-30	0	+30	-30	0	+30	-30	0	+30	-30	0	+30
Null shift ⁴ (25 to 0°, 25 to 50° C)	mV	-	±0.5	-	-	±0.5	-	-	±0.5	-	-	±0.5	-
Span ⁵	mV	330	360	390	330	360	390	330	360	390	330	360	390
Linearity (BFSL) ⁶	% span	-	±0.5	-	-	±0.5	-	-	±0.5	-	-	±0.5	-
Sensitivity ⁷	mV/V/N	6.6	7.2	7.8	3.3	3.6	3.9	2.2	2.4	2.6	1.65	1.8	1.95
Sensitivity shift ⁸ (25 °C to 0°, 25 °C to 50 °C)	% span	-	±5.0	-	-	±5.0	-	-	±5.0	-	-	±5.0	-
Repeatability ⁹	% span	-	±0.2	-	-	±0.2	-	-	±0.2	-	-	±0.2	-
Response time (10 %FS to 90 %FS)	ms	-	0.1	0.5	-	0.1	0.5	-	0.1	0.5	-	0.1	0.5
Input resistance	kΩ	4.0	5.0	6.0	4.0	5.0	6.0	4.0	5.0	6.0	4.0	5.0	6.0
Output resistance	kΩ	4.0	5.0	6.0	4.0	5.0	6.0	4.0	5.0	6.0	4.0	5.0	6.0
Plunger deflection	μm	-	26	-	-	28	-	-	33	-	-	39	-
Overforce ¹⁰	N	-	-	15	-	-	30	-	-	45	-	-	60

Notes:

- All force-related specifications are established using dead weight or compliant force.
- The range of voltage excitation which can be supplied to the product to produce an output which is proportional to force but due to ratiometricity errors may not remain within the specified performance limits. Non-compensated force sensors, excited by constant current (1.5 mA) instead of voltage, exhibit partial temperature compensation of span.
- The output signal obtained when the zero force is applied to the sensor. Also known as "null" or "zero".
- The change in the null resulting from a change in temperature. It is not a predictable error as it can shift up and down from unit to unit. Change in temperature causes the entire output curve to shift up or down along the voltage axis.
- The algebraic difference between output signals measured at the upper and lower limits of the operating force range. Also known as "full scale output" or simply "span".
- The maximum deviation of product output from a straight line fitted to output measured over the operating force range. The straight line through a set of points which minimizes the sum of the square of the deviations of each of the points from the straight line.
- The ratio of output signal change to the corresponding input force change. Sensitivity is determined by computing the ratio of span to the specified operating force range multiplied by the supply voltage being used.
- The maximum deviation in sensitivity due to changes in temperature over the operating temperature range, relative to sensitivity measured at 25 °C.
- The maximum difference between output readings when the same force is applied consecutively, under the same operating conditions, with force approaching from the same direction within the operating force range.
- The maximum force which may safely be applied to the product for it to remain in specification once force is returned to the operating force range. Exposure to higher forces may cause permanent damage to the product. Unless otherwise specified, this applies to all temperatures within the operating temperature range.

CAUTION
EXCEEDING
PRODUCT
OVERFORCE RATING

- Ensure the overforce ratings given in Table 1 are not exceeded during any phase of sensor assembly to the board, as well as during the use of the sensor in the application.

Failure to comply with these instructions may result in product damage.

Table 2. Environmental Specifications

Characteristic	Parameter
Operating temperature ¹	-40 °C to 85 °C [-40 °F to 185 °F]
Shock	qualification tested to 150 g
Vibration	qualification tested to 0 to 2 kHz, 20 g sine
MCTF (Mean Cycles To Failure) ²	20 million at 25 °C [77 °F]
Output ratiometric	within supply range

Notes:

- The temperature range over which the product may safely be exposed without excitation or force applied. Under these conditions the product will remain in specification after excursion to any temperatures in this range. Exposure to temperatures beyond this range may cause permanent damage to the product.
- MCTF is a basic measure of reliability for a non-repairable device. It is the mean number of cycles to maximum operating force over which a sensor can be expected to operate until failure. The mean value is determined statistically from a probability distribution for failures based upon test data. MCTF may vary depending on the specific application in which a sensor is utilized.

Low Profile Force Sensor

Table 3. Absolute Maximum Ratings¹

Characteristic	Parameter
Storage temperature ²	-40 °C to 100 °C [-40 °F to 212 °F]
Solderability ³	10 s at 260 °C [500 °F]
ESD	Meets ESD Sensitivity Classification Level 3B

勝特力材料 886-3-5753170
 勝特力电子(上海) 86-21-34970699
 勝特力电子(深圳) 86-755-83298787
[Http://www.100y.com.tw](http://www.100y.com.tw)

Notes:

1. Absolute maximum ratings are the extreme limits that the product can withstand without damage to the product.
2. The temperature range over which the product may safely be exposed without excitation or force applied. Under these conditions, the product will remain in the specification after excursions to any temperature in this range. Exposure to temperatures beyond this range may cause permanent damage to the product.
3. The maximum temperature and time to which the product may be exposed for processing of solder electrical connections.

Figure 1. Excitation Schematic (Excitation 5 Vdc Typ., 6 Vdc max.)

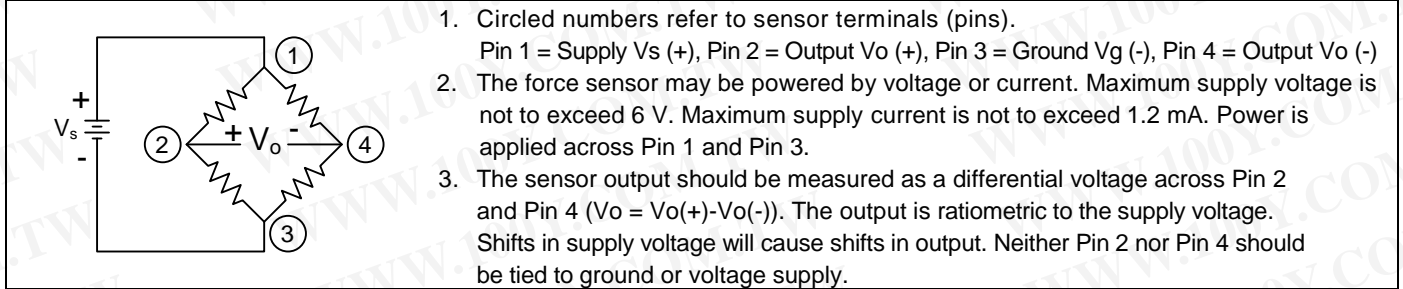


Figure 2. Sensor Mounting Dimensions (For reference only: mm/[in.])

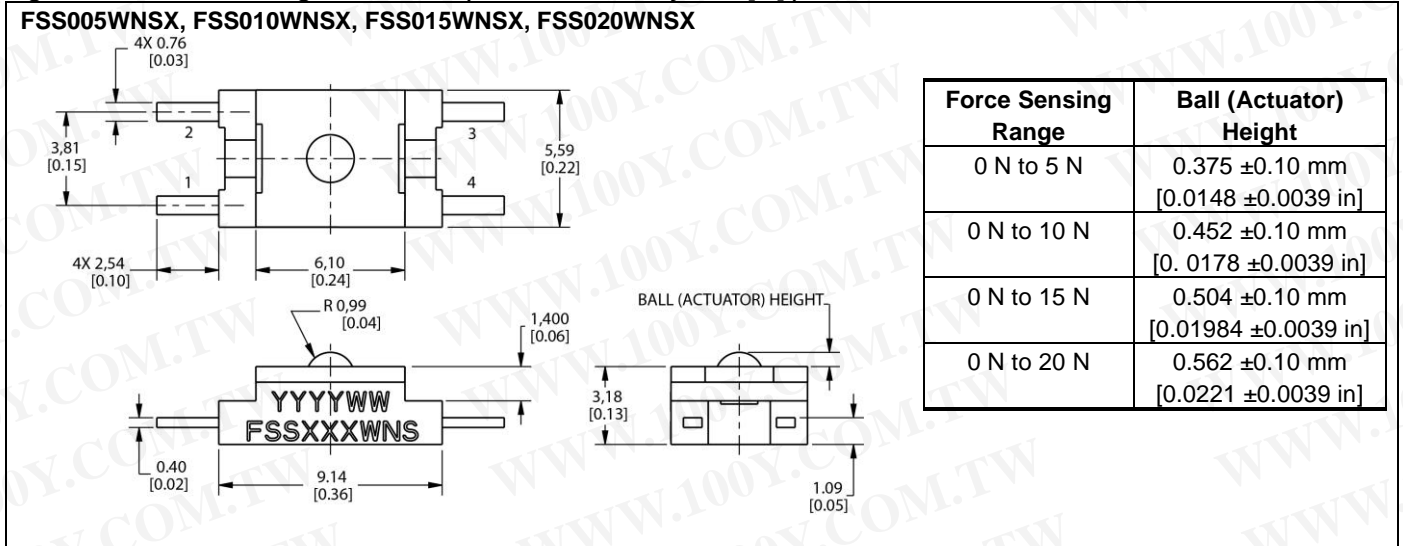
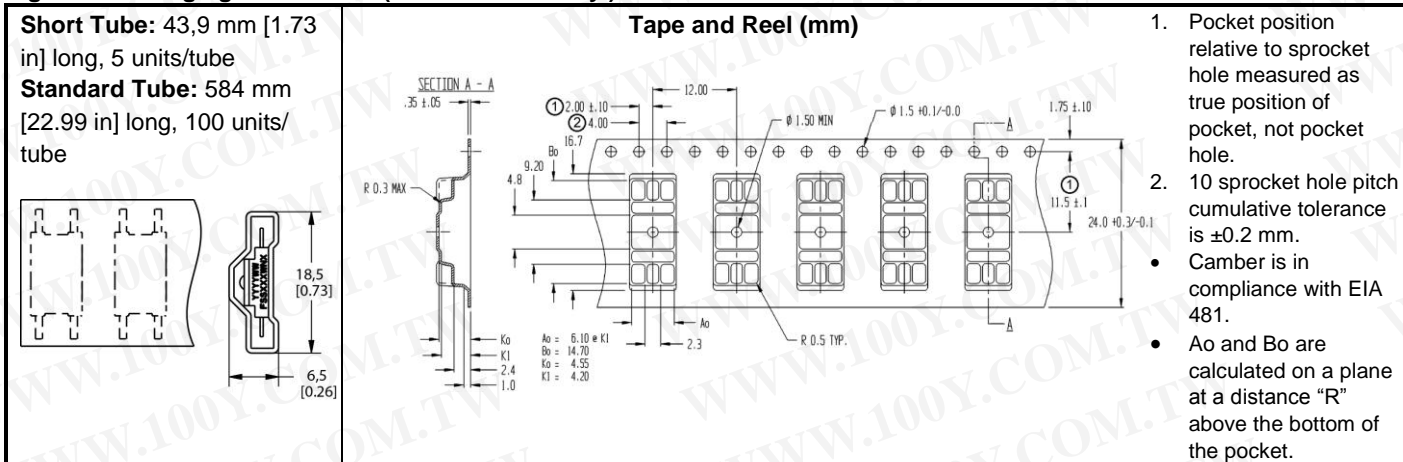


Figure 3. Packaging Dimensions (For reference only.)



Order Guide

Catalog Listing	Description
FSS005WNSB	FSS Series Low Profile Force Sensor, 0 N to 5 N force range, short tube packaging
FSS005WNSR	FSS Series Low Profile Force Sensor, 0 N to 5 N force range, tape and reel packaging
FSS005WNST	FSS Series Low Profile Force Sensor, 0 N to 5 N force range, standard tube packaging
FSS010WNSB	FSS Series Low Profile Force Sensor, 0 N to 10 N force range, short tube packaging
FSS010WNSR	FSS Series Low Profile Force Sensor, 0 N to 10 N force range, tape and reel packaging
FSS010WNST	FSS Series Low Profile Force Sensor, 0 N to 10 N force range, standard tube packaging
FSS015WNSB	FSS Series Low Profile Force Sensor, 0 N to 15 N force range, short tube packaging
FSS015WNSR	FSS Series Low Profile Force Sensor, 0 N to 15 N force range, tape and reel packaging
FSS015WNST	FSS Series Low Profile Force Sensor, 0 N to 15 N force range, standard tube packaging
FSS020WNSB	FSS Series Low Profile Force Sensor, 0 N to 20 N force range, short tube packaging
FSS020WNSR	FSS Series Low Profile Force Sensor, 0 N to 20 N force range, tape and reel packaging
FSS020WNST	FSS Series Low Profile Force Sensor, 0 N to 20 N force range, standard tube packaging

WARNING

MISUSE OF DOCUMENTATION

- The information presented in this product sheet is for reference only. Do not use this document as a product installation guide.
- Complete installation, operation, and maintenance information is provided in the instructions supplied with each product.

Failure to comply with these instructions could result in death or serious injury.

WARRANTY/REMEDY

Honeywell warrants goods of its manufacture as being free of defective materials and faulty workmanship. Honeywell's standard product warranty applies unless agreed to otherwise by Honeywell in writing; please refer to your order acknowledgement or consult your local sales office for specific warranty details. If warranted goods are returned to Honeywell during the period of coverage, Honeywell will repair or replace, at its option, without charge those items it finds defective. **The foregoing is buyer's sole remedy and is in lieu of all other warranties, expressed or implied, including those of merchantability and fitness for a particular purpose. In no event shall Honeywell be liable for consequential, special, or indirect damages.**

While we provide application assistance personally, through our literature and the Honeywell web site, it is up to the customer to determine the suitability of the product in the application.

Specifications may change without notice. The information we supply is believed to be accurate and reliable as of this printing. However, we assume no responsibility for its use.

Sensing and Control
Honeywell
1985 Douglas Drive North
Golden Valley, MN 55422
sensing.honeywell.com

WARNING

PERSONAL INJURY

DO NOT USE these products as safety or emergency stop devices or in any other application where failure of the product could result in personal injury.

Failure to comply with these instructions could result in death or serious injury.

SALES AND SERVICE

Honeywell serves its customers through a worldwide network of sales offices, representatives and distributors. For application assistance, current specifications, pricing or name of the nearest Authorized Distributor, contact your local sales office or:

E-mail: info.sc@honeywell.com

Internet: sensing.honeywell.com

Phone and Fax:

Asia Pacific	+65 6355-2828 +65 6445-3033 Fax
Europe	+44 (0) 1698 481481 +44 (0) 1698 481676 Fax
Latin America	+1-305-805-8188 +1-305-883-8257 Fax
USA/Canada	+1-800-537-6945 +1-815-235-6847 +1-815-235-6545 Fax

勝特力材料 886-3-5753170
胜特力电子(上海) 86-21-34970699
胜特力电子(深圳) 86-755-83298787
[Http://www.100y.com.tw](http://www.100y.com.tw)

Honeywell