

Evaluation systems

DI0001

Compact speed monitor DIA
 Cable

Sensing range 10mm [f]
 flush mountable



CE

Specifications

Application

simple evaluation of rotating and linear movement with regard to
 underspeed; blocking

Electrical design

AC / DC

Output

normally open

Setting range [pulses/min.]

5...300

Nominal voltage [V]

20...250 AC/DC

Current rating (continuous) [mA]

350 AC (... +50°C) / 250 AC (... +80°C) / 100 DC

Current rating (peak) [mA]

2200

Minimum load current [mA]

> 6

Voltage drop [V]

< 6,5

Leakage current [mA]

< 1,5

Damping frequency (max.) [pulses/min]

1500

Reverse polarity/overload protection

—

Hysteresis [% / Sr]

10

Short-circuit protection

—

Start-up delay [s]

12

Switching function

output is switched during the start-up delay and if (f actual) is greater than (f present)

Adjustment of the switch point

with pot.

Function display

green

Switching status LED

Operating temperature [°C]

-25...+80

Protection

IP 67

Housing material

brass; nickel-plated; Pocan

Connection

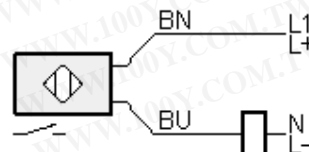
PVC cable / 2m; 2 x 0,5mm²

Wiring

Core colours

BN brown

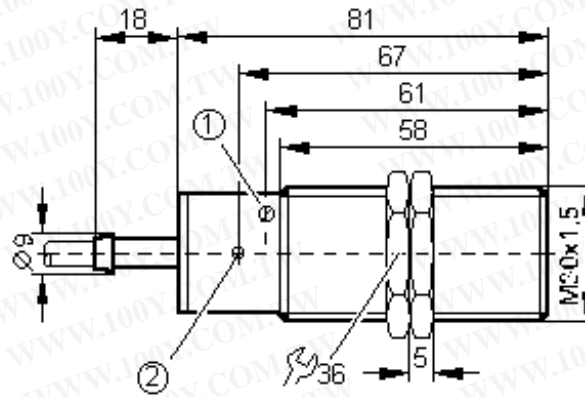
BU blue



Evaluation systems

DI0001

Drawing



1: with pot., 2: LED