

LM56

勝特力材料 886-3-5753170
 勝特力电子(上海) 86-21-34970699
 勝特力电子(深圳) 86-755-83298787
[Http:// www. 100y. com. tw](http://www.100y.com.tw)

LM56 Dual Output Low Power Thermostat

Dual Output Low Power Thermostat

General Description

The LM56 is a precision low power thermostat. Two stable temperature trip points (V_{T1} and V_{T2}) are generated by dividing down the LM56 1.250V bandgap voltage reference using 3 external resistors. The LM56 has two digital outputs. OUT1 goes LOW when the temperature exceeds $T1$ and goes HIGH when the the temperature goes below ($T1 - T_{HYST}$). Similarly, OUT2 goes LOW when the temperature exceeds $T2$ and goes HIGH when the temperature goes below ($T2 - T_{HYST}$). T_{HYST} is an internally set 5°C typical hysteresis.

The LM56 is available in an 8-lead Mini-SO8 surface mount package and an 8-lead small outline package.

Applications

- Microprocessor Thermal Management
- Appliances
- Portable Battery Powered 3.0V or 5V Systems
- Fan Control
- Industrial Process Control
- HVAC Systems
- Remote Temperature Sensing
- Electronic System Protection

Features

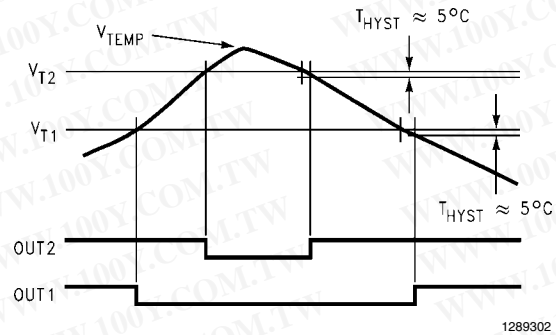
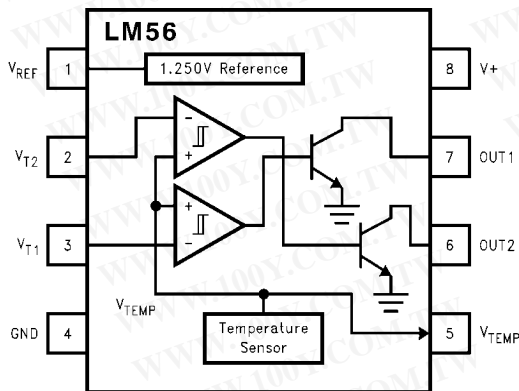
- Digital outputs support TTL logic levels
- Internal temperature sensor
- 2 internal comparators with hysteresis
- Internal voltage reference
- Available in 8-pin SO and Mini-SO8 plastic packages

Key Specifications

- Power Supply Voltage 2.7V–10V
- Power Supply Current 230 μ A (max)
- V_{REF} 1.250V \pm 1% (max)
- Hysteresis Temperature 5°C
- Internal Temperature Sensor Output Voltage:
(+6.20 mV/°C x T) + 395 mV
- Temperature Trip Point Accuracy:

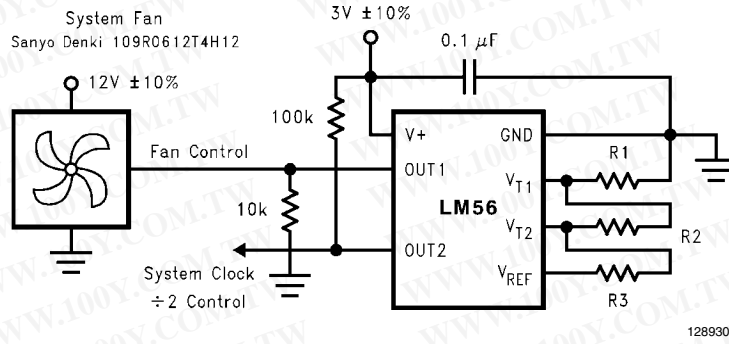
| | LM56BIM | LM56CIM |
|-----------------|-----------------|-----------------|
| +25°C | \pm 2°C (max) | \pm 3°C (max) |
| +25°C to +85°C | \pm 2°C (max) | \pm 3°C (max) |
| -40°C to +125°C | \pm 3°C (max) | \pm 4°C (max) |

Simplified Block Diagram and Connection Diagram



| Order Number | LM56BIM | LM56BIMX | LM56CIM | LM56CIMX | LM56BIMM | LM56BIMMX | LM56CIMM | LM56CIMMX |
|-------------------|-----------------|---------------------------|---------|---------------------------|---------------------------|---------------------------|---------------------------|---------------------------|
| NS Package Number | M08A | M08A | M08A | M08A | MUA08A | MUA08A | MUA08A | MUA08A |
| | SOP-8 | SOP-8 | SOP-8 | SOP-8 | MSOP-8 | MSOP-8 | MSOP-8 | MSOP-8 |
| Transport Media | Rail | 2500 Units Tape & Reel | Rail | 2500 Units Tape & Reel | 1000 Units Tape & Reel | 3500 Units Tape & Reel | 1000 Units Tape & Reel | 3500 Units Tape & Reel |
| | Package Marking | LM56BIM | LM56BIM | LM56CIM | LM56CIM | T02B | T02B | T02C |

Typical Application



$$V_{T1} = 1.250V \times (R1)/(R1 + R2 + R3)$$

$$V_{T2} = 1.250V \times (R1 + R2)/(R1 + R2 + R3)$$

where:

$$(R1 + R2 + R3) = 27 \text{ k}\Omega \text{ and}$$

$$V_{T1 \text{ or } T2} = [6.20 \text{ mV}/^\circ\text{C} \times T] + 395 \text{ mV} \text{ therefore:}$$

$$R1 = V_{T1}/(1.25V) \times 27 \text{ k}\Omega$$

$$R2 = (V_{T2}/(1.25V) \times 27 \text{ k}\Omega) - R1$$

$$R3 = 27 \text{ k}\Omega - R1 - R2$$

FIGURE 1. Microprocessor Thermal Management

勝特力材料 886-3-5753170
 勝特力电子(上海) 86-21-34970699
 勝特力电子(深圳) 86-755-83298787
[Http://www.100y.com.tw](http://www.100y.com.tw)

Absolute Maximum Ratings (Note 1)

| | |
|---|--------|
| Input Voltage | 12V |
| Input Current at any pin (Note 2) | 5 mA |
| Package Input Current (Note 2) | 20 mA |
| Package Dissipation at $T_A = 25^\circ\text{C}$ (Note 4) | 900 mW |
| ESD Susceptibility (Note 5) | |
| Human Body Model - Pin 3 Only: | 800V |
| All other pins | 1000V |

| | |
|---------------------|---|
| Machine Model | 125V |
| Storage Temperature | -65°C to $+150^\circ\text{C}$ |

Operating Ratings (Note 1)

| | |
|---|--|
| Operating Temperature Range | $T_{\text{MIN}} \leq T_A \leq T_{\text{MAX}}$ |
| LM56BIM, LM56CIM | $-40^\circ\text{C} \leq T_A \leq +125^\circ\text{C}$ |
| Positive Supply Voltage (V^+) | +2.7V to +10V |
| Maximum V_{OUT1} and V_{OUT2} | +10V |

Soldering process must comply with National Semiconductor's Reflow Temperature Profile specifications. Refer to www.national.com/packaging. (Note 3)

LM56 Electrical Characteristics

The following specifications apply for $V^+ = 2.7 V_{\text{DC}}$, and V_{REF} load current = 50 μA unless otherwise specified. **Boldface limits apply for $T_A = T_J = T_{\text{MIN}}$ to T_{MAX}** ; all other limits $T_A = T_J = 25^\circ\text{C}$ unless otherwise specified.

| Symbol | Parameter | Conditions | Typical (Note 6) | LM56BIM Limits (Note 7) | LM56CIM Limits (Note 7) | Units (Limits) |
|--|---|---|---------------------|-------------------------------|-------------------------------|------------------------------|
| Temperature Sensor | | | | | | |
| | Trip Point Accuracy (Includes V_{REF} , Comparator Offset, and Temperature Sensitivity errors) | $+25^\circ\text{C} \leq T_A \leq +85^\circ\text{C}$ | | ± 2 | ± 3 | $^\circ\text{C}$ (max) |
| | | $-40^\circ\text{C} \leq T_A \leq +125^\circ\text{C}$ | | ± 2 | ± 3 | $^\circ\text{C}$ (max) |
| | Trip Point Hysteresis | $T_A = -40^\circ\text{C}$ | 4 | 3 | 3 | $^\circ\text{C}$ (min) |
| | | | 6 | 6 | $^\circ\text{C}$ (max) | |
| | | $T_A = +25^\circ\text{C}$ | 5 | 3.5 | 3.5 | $^\circ\text{C}$ (min) |
| | | | 6.5 | 6.5 | $^\circ\text{C}$ (max) | |
| | $T_A = +85^\circ\text{C}$ | 6 | 4.5 | 4.5 | $^\circ\text{C}$ (min) | |
| | | | 7.5 | 7.5 | $^\circ\text{C}$ (max) | |
| | $T_A = +125^\circ\text{C}$ | 6 | 4 | 4 | $^\circ\text{C}$ (min) | |
| | | | 8 | 8 | $^\circ\text{C}$ (max) | |
| | Internal Temperature Sensitivity | | +6.20 | | | mV/ $^\circ\text{C}$ |
| | Temperature Sensitivity Error | | | ± 2 | ± 3 | $^\circ\text{C}$ (max) |
| | | | | | ± 3 | ± 4 |
| | Output Impedance | $-1 \mu\text{A} \leq I_L \leq +40 \mu\text{A}$ | | 1500 | 1500 | Ω (max) |
| | Line Regulation | $+3.0\text{V} \leq V^+ \leq +10\text{V}$, $+25^\circ\text{C} \leq T_A \leq +85^\circ\text{C}$ | | -0.72/ +0.36 | -0.72/ +0.36 | mV/V (max) |
| | | | | -1.14/ +0.61 | -1.14/ +0.61 | mV/V (max) |
| | | $+2.7\text{V} \leq V^+ \leq +3.3\text{V}$ | | ± 2.3 | ± 2.3 | mV (max) |
| V_{T1} and V_{T2} Analog Inputs | | | | | | |
| I_{BIAS} | Analog Input Bias Current | | 150 | 300 | 300 | nA (max) |
| V_{IN} | Analog Input Voltage Range | | $V^+ - 1$ | | | V |
| | | | | GND | | |
| V_{OS} | Comparator Offset | | 2 | 8 | 8 | mV (max) |
| V_{REF} Output | | | | | | |
| V_{REF} | V_{REF} Nominal | | 1.250V | | | V |
| | V_{REF} Error | | | ± 1 | ± 1 | % (max) |
| | | | | | ± 12.5 | ± 12.5 |
| $\Delta V_{\text{REF}}/\Delta V^+$ | Line Regulation | $+3.0\text{V} \leq V^+ \leq +10\text{V}$ | 0.13 | 0.25 | 0.25 | mV/V (max) |

勝特力材料 886-3-5753170
 勝特力电子(上海) 86-21-34970699
 勝特力电子(深圳) 86-755-83298787
[Http://www.100y.com.tw](http://www.100y.com.tw)

| Symbol | Parameter | Conditions | Typical (Note 6) | LM56BIM Limits (Note 7) | LM56CIM Limits (Note 7) | Units (Limits) |
|-----------------------------|--------------------------|-------------------------------------|---------------------|-------------------------------|-------------------------------|-------------------|
| | | $+2.7V \leq V^+ \leq +3.3V$ | 0.15 | 1.1 | 1.1 | mV (max) |
| $\Delta V_{REF}/\Delta I_L$ | Load Regulation Sourcing | $+30 \mu A \leq I_L \leq +50 \mu A$ | | 0.15 | 0.15 | mV/ μA (max) |

| Symbol | Parameter | Conditions | Typical (Note 6) | Limits (Note 7) | Units (Limits) |
|------------------------|------------------------------------|-------------------------------|---------------------|--------------------------|--------------------------------|
| V+ Power Supply | | | | | |
| I_S | Supply Current | $V^+ = +10V$ $V^+ = +2.7V$ | | 230 230 | μA (max) μA (max) |
| Digital Outputs | | | | | |
| $I_{OUT("1")}$ | Logical "1" Output Leakage Current | $V^+ = +5.0V$ | | 1 | μA (max) |
| $V_{OUT("0")}$ | Logical "0" Output Voltage | $I_{OUT} = +50 \mu A$ | | 0.4 | V (max) |

Note 1: Absolute Maximum Ratings indicate limits beyond which damage to the device may occur. Operating Ratings indicate conditions for which the device is functional, but do not guarantee specific performance limits. For guaranteed specifications and test conditions, see the Electrical Characteristics. The guaranteed specifications apply only for the test conditions listed. Some performance characteristics may degrade when the device is not operated under the listed test conditions.

Note 2: When the input voltage (V_I) at any pin exceeds the power supply ($V_I < GND$ or $V_I > V^+$), the current at that pin should be limited to 5 mA. The 20 mA maximum package input current rating limits the number of pins that can safely exceed the power supplies with an input current of 5 mA to four.

Note 3: Reflow temperature profiles are different for lead-free and non-lead-free packages.

Note 4: The maximum power dissipation must be derated at elevated temperatures and is dictated by T_{Jmax} (maximum junction temperature), θ_{JA} (junction to ambient thermal resistance) and T_A (ambient temperature). The maximum allowable power dissipation at any temperature is $P_D = (T_{Jmax} - T_A)/\theta_{JA}$ or the number given in the Absolute Maximum Ratings, whichever is lower. For this device, $T_{Jmax} = 125^\circ C$. For this device the typical thermal resistance (θ_{JA}) of the different package types when board mounted follow:

| Package Type | θ_{JA} |
|--------------|---------------|
| M08A | 110°C/W |
| MUA08A | 250°C/W |

Note 5: The human body model is a 100 pF capacitor discharge through a 1.5 k Ω resistor into each pin. The machine model is a 200 pF capacitor discharged directly into each pin.

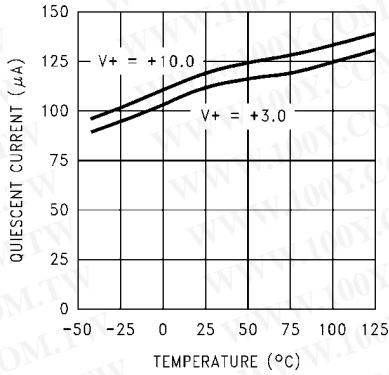
Note 6: Typicals are at $T_J = T_A = 25^\circ C$ and represent most likely parametric norm.

Note 7: Limits are guaranteed to National's AOQL (Average Outgoing Quality Level).

勝特力材料 886-3-5753170
 勝特力电子(上海) 86-21-34970699
 勝特力电子(深圳) 86-755-83298787
[Http://www.100y.com.tw](http://www.100y.com.tw)

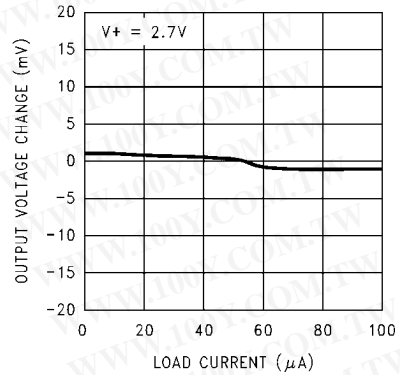
Typical Performance Characteristics

Quiescent Current vs Temperature



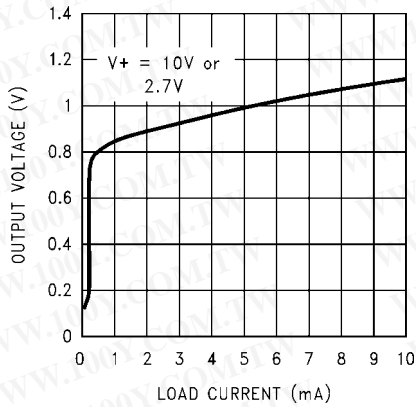
1289304

V_{REF} Output Voltage vs Load Current



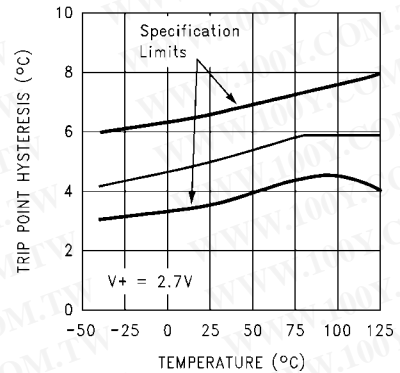
1289305

OUT1 and OUT2 Voltage Levels vs Load Current



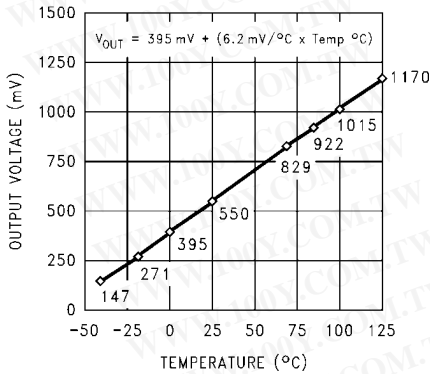
1289332

Trip Point Hysteresis vs Temperature



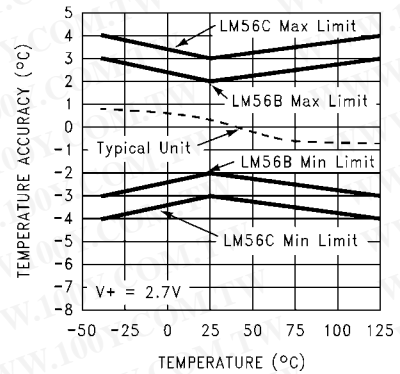
1289307

Temperature Sensor Output Voltage vs Temperature



1289308

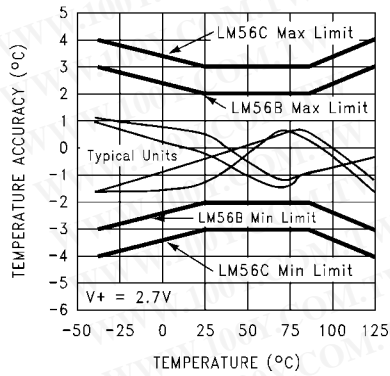
Temperature Sensor Output Accuracy vs Temperature



1289309

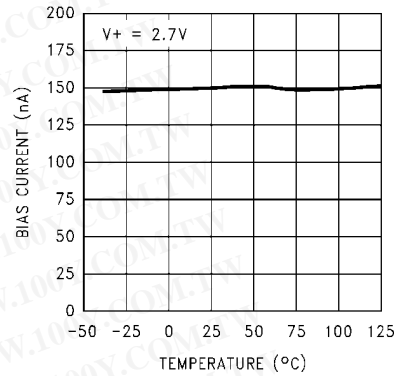
勝特力材料 886-3-5753170
 勝特力电子(上海) 86-21-34970699
 勝特力电子(深圳) 86-755-83298787
 Http://www.100y.com.tw

Trip Point Accuracy vs Temperature



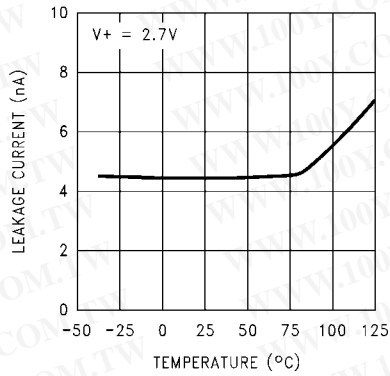
1289310

Comparator Bias Current vs Temperature



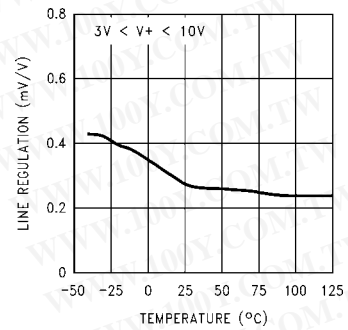
1289311

OUT1 and OUT2 Leakage Current vs Temperature



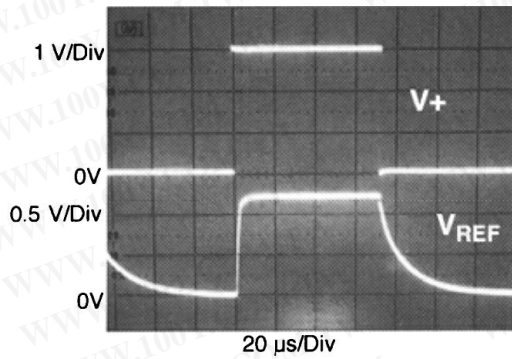
1289312

V_{TEMP} Output Line Regulation vs Temperature



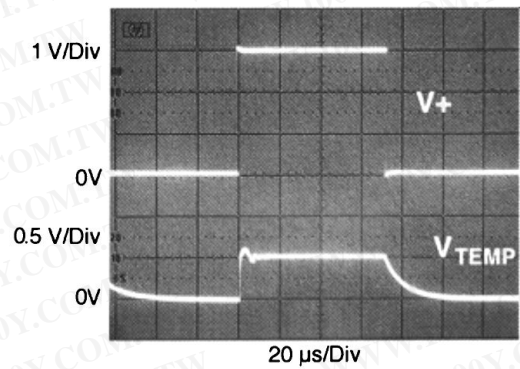
1289331

V_{REF} Start-Up Response



1289313

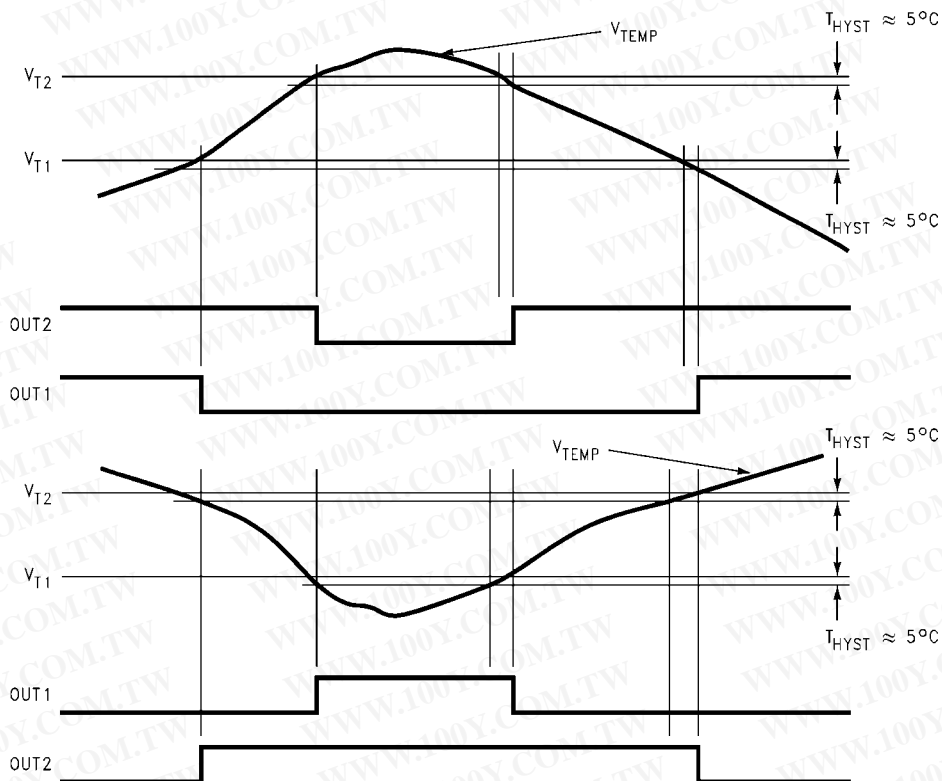
V_{TEMP} Start-Up Response



1289314

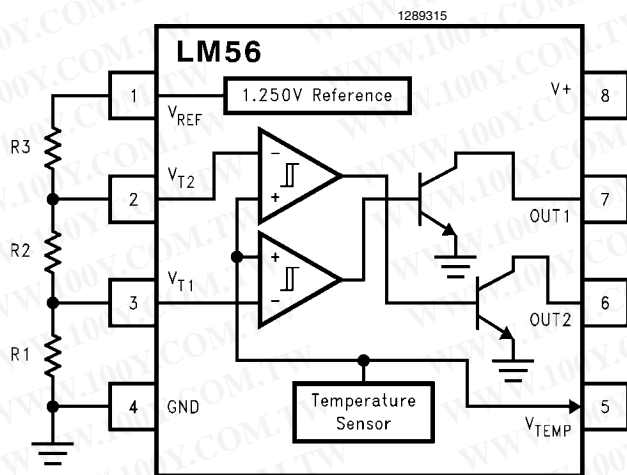
勝特力材料 886-3-5753170
 勝特力电子(上海) 86-21-34970699
 勝特力电子(深圳) 86-755-83298787
[Http://www.100y.com.tw](http://www.100y.com.tw)

Functional Description



Pin Descriptions

- V+** This is the positive supply voltage pin. This pin should be bypassed with a 0.1 μF capacitor to ground.
- GND** This is the ground pin.
- V_{REF}** This is the 1.250V bandgap voltage reference output pin. In order to maintain trip point accuracy this pin should source a 50 μA load.
- V_{TEMP}** This is the temperature sensor output pin.
- OUT1** This is an open collector digital output. OUT1 is active LOW. It goes LOW when the temperature is greater than T_1 and goes HIGH when the temperature drops below $T_1 - 5^\circ\text{C}$. This output is not intended to directly drive a fan motor.
- OUT2** This is an open collector digital output. OUT2 is active LOW. It goes LOW when the temperature is greater than the T_2 set point and goes HIGH when the temperature is less than $T_2 - 5^\circ\text{C}$. This output is not intended to directly drive a fan motor.
- V_{T1}** This is the input pin for the temperature trip point voltage for OUT1.
- V_{T2}** This is the input pin for the low temperature trip point voltage for OUT2.



$$V_{T1} = 1.250\text{V} \times (R1)/(R1 + R2 + R3)$$

$$V_{T2} = 1.250\text{V} \times (R1 + R2)/(R1 + R2 + R3)$$

where:

$$(R1 + R2 + R3) = 27\text{ k}\Omega \text{ and}$$

$$V_{T1 \text{ or } T2} = [6.20\text{ mV}/^\circ\text{C} \times T] + 395\text{ mV} \text{ therefore:}$$

$$R1 = V_{T1}/(1.25\text{V}) \times 27\text{ k}\Omega$$

$$R2 = (V_{T2}/(1.25\text{V}) \times 27\text{ k}\Omega) - R1$$

$$R3 = 27\text{ k}\Omega - R1 - R2$$

勝特力材料 886-3-5753170
 勝特力电子(上海) 86-21-34970699
 勝特力电子(深圳) 86-755-83298787
[Http://www.100y.com.tw](http://www.100y.com.tw)

Application Hints

1.0 LM56 TRIP POINT ACCURACY SPECIFICATION

For simplicity the following is an analysis of the trip point accuracy using the single output configuration show in [Figure 2](#) with a set point of 82°C.

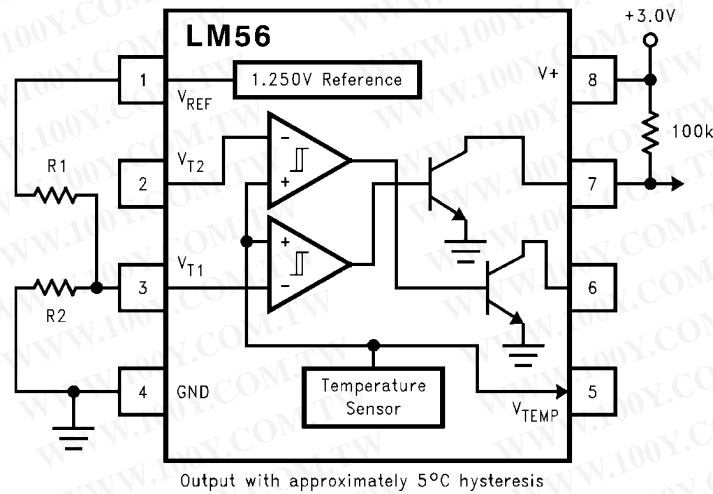


FIGURE 2. Single Output Configuration

$$1. V_{TPE} = \pm V_{T1E} - V_{TSE} + V_{RE}$$

Where:

$$2. V_{T1E} = \pm 8 \text{ mV (max)}$$

$$3. V_{TSE} = (6.20 \text{ mV/}^\circ\text{C}) \times (\pm 3^\circ\text{C}) = \pm 18.6 \text{ mV}$$

$$4. V_{RE} = 1.250\text{V} \times (\pm 0.01) R2/(R1 + R2)$$

Using Equations from page 1 of the datasheet.

$$V_{T1} = 1.25\text{V} \times R2/(R1 + R2) = (6.20 \text{ mV/}^\circ\text{C})(82^\circ\text{C}) + 395 \text{ mV}$$

$$\text{Solving for } R2/(R1 + R2) = 0.7227$$

then,

$$5. V_{RE} = 1.250\text{V} \times (\pm 0.01) R2/(R1 + R2) = (0.0125) \times (0.7227) = \pm 9.03 \text{ mV}$$

The individual errors do not add algebraically because, the odds of all the errors being at their extremes are rare. This is proven by the fact the specification for the trip point accuracy stated in the Electrical Characteristic for the temperature range of -40°C to $+125^\circ\text{C}$, for example, is specified at $\pm 3^\circ\text{C}$ for the LM56BIM. Note this trip point error specification does not include any error introduced by the tolerance of the actual resistors used, nor any error introduced by power supply variation.

If the resistors have a $\pm 0.5\%$ tolerance, an additional error of $\pm 0.4^\circ\text{C}$ will be introduced. This error will increase to $\pm 0.8^\circ\text{C}$ when both external resistors have a $\pm 1\%$ tolerance.

2.0 BIAS CURRENT EFFECT ON TRIP POINT ACCURACY

Bias current for the comparator inputs is 300 nA (max) each, over the specified temperature range and will not introduce considerable error if the sum of the resistor values are kept to about 27 k Ω as shown in the typical application of [Figure 1](#). This bias current of one comparator input will not flow if the temperature is well below the trip point level. As the temperature approaches trip point level the bias current will start to

Trip Point Error Voltage = V_{TPE} ,

Comparator Offset Error for V_{T1E}

Temperature Sensor Error = V_{TSE}

Reference Output Error = V_{RE}

flow into the resistor network. When the temperature sensor output is equal to the trip point level the bias current will be 150 nA (max). Once the temperature is well above the trip point level the bias current will be 300 nA (max). Therefore, the first trip point will be affected by 150 nA of bias current. The leakage current is very small when the comparator input transistor of the different pair is off (see [Figure 3](#)).

The effect of the bias current on the first trip point can be defined by the following equations:

$$K1 = \frac{R1}{R1 + R2 + R3}$$

$$V_{T1} = K1 \times V_{REF} + K1 \times (R2 + R3) \times \frac{I_B}{2}$$

where $I_B = 300 \text{ nA}$ (the maximum specified error).

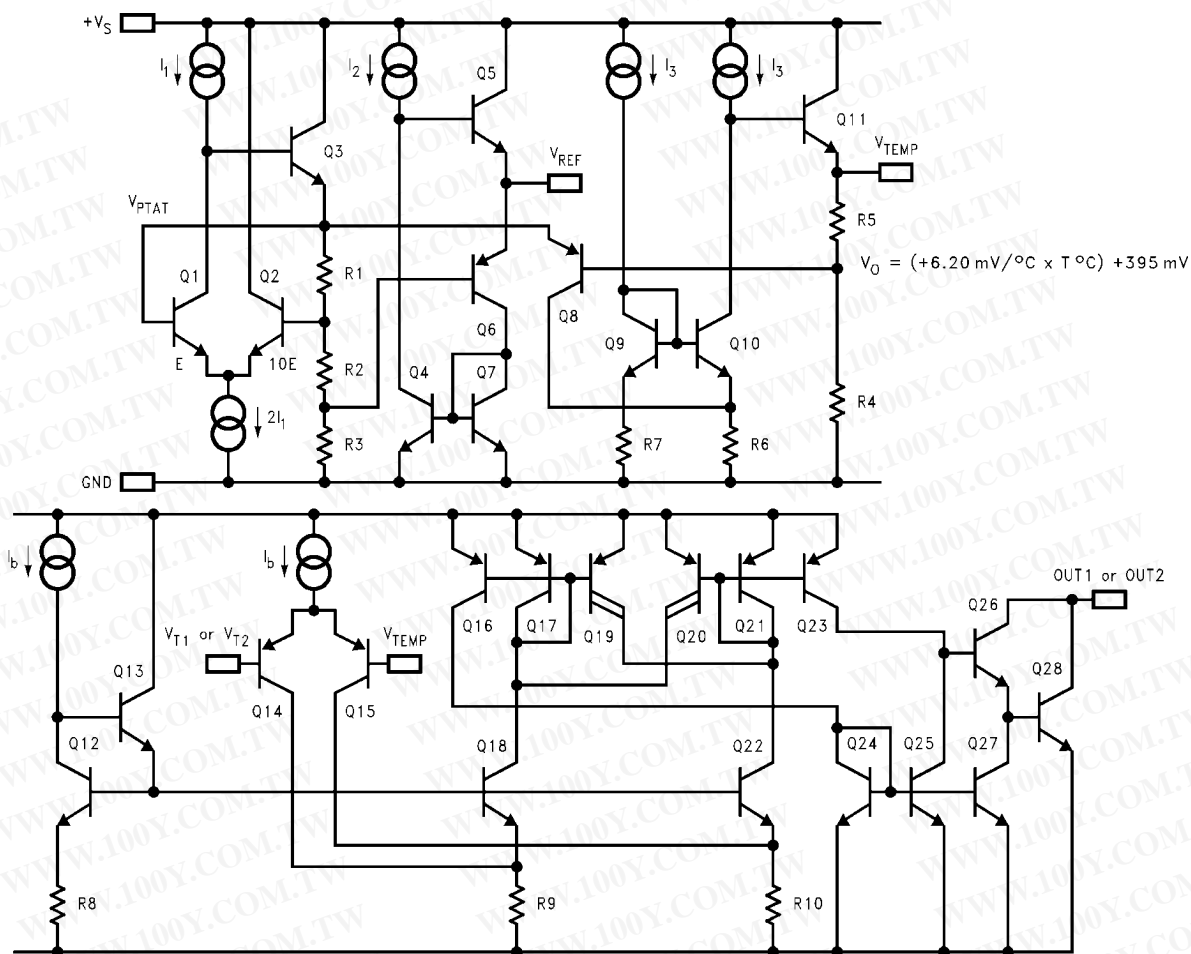
The effect of the bias current on the second trip point can be defined by the following equations:

$$K2 = \frac{R1 + R2}{R1 + R2 + R3}$$

$$V_{T2} = K2 \times V_{REF} + \left(K1 + \frac{K2}{2} \right) \times R3 \times I_B$$

where $I_B = 300 \text{ nA}$ (the maximum specified error).

The closer the two trip points are to each other the more significant the error is. Worst case would be when $V_{T1} = V_{T2} = V_{REF}/2$.



1289318

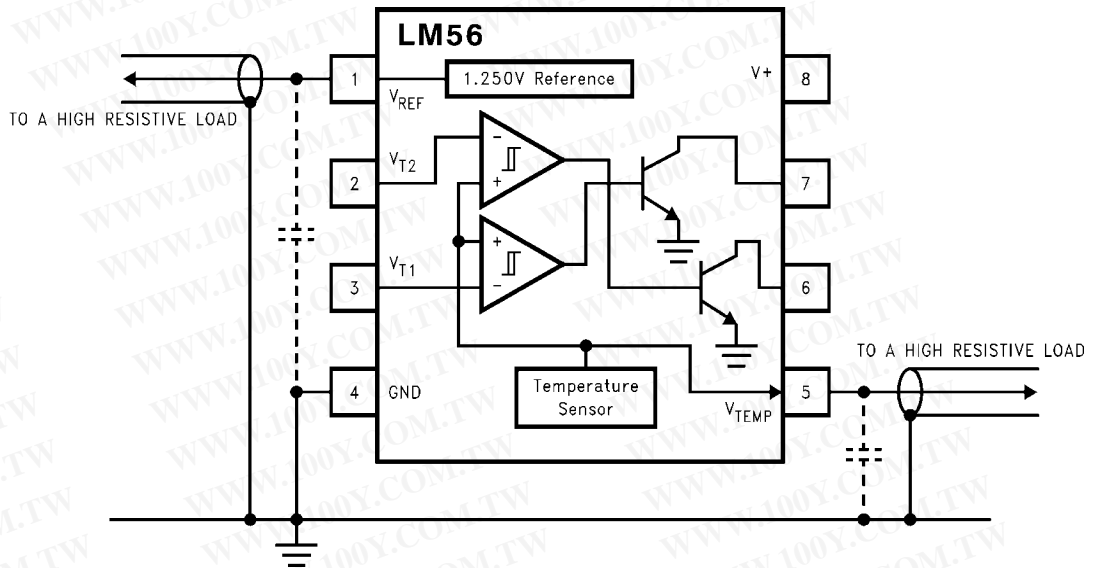
FIGURE 3. Simplified Schematic

3.0 MOUNTING CONSIDERATIONS

The majority of the temperature that the LM56 is measuring is the temperature of its leads. Therefore, when the LM56 is placed on a printed circuit board, it is not sensing the temperature of the ambient air. It is actually sensing the temperature difference of the air and the lands and printed circuit board that the leads are attached to. The most accurate temperature sensing is obtained when the ambient temperature is equivalent to the LM56's lead temperature.

As with any IC, the LM56 and accompanying wiring and circuits must be kept insulated and dry, to avoid leakage and corrosion. This is especially true if the circuit operates at cold temperatures where condensation can occur. Printed-circuit coatings are often used to ensure that moisture cannot corrode the LM56 or its connections.

勝特力材料 886-3-5753170
 勝特力电子(上海) 86-21-34970699
 勝特力电子(深圳) 86-755-83298787
[Http://www.100y.com.tw](http://www.100y.com.tw)

4.0 V_{REF} AND V_{TEMP} CAPACITIVE LOADING

1289319

FIGURE 4. Loading of V_{REF} and V_{TEMP}

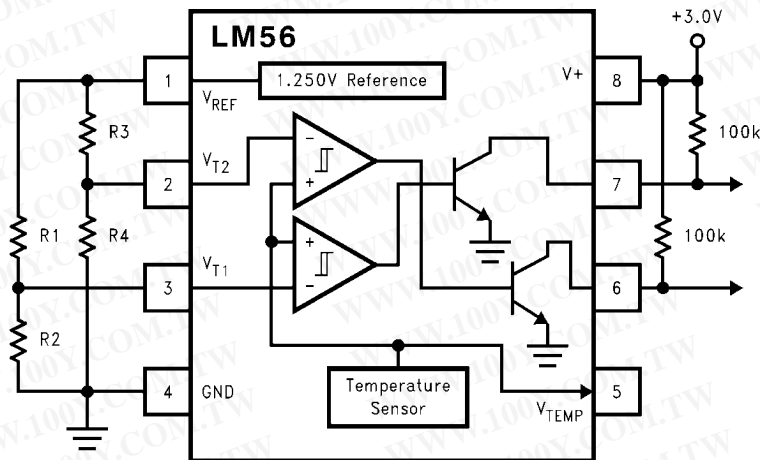
The LM56 V_{REF} and V_{TEMP} outputs handle capacitive loading well. Without any special precautions, these outputs can drive any capacitive load as shown in Figure 4.

5.0 NOISY ENVIRONMENTS

Over the specified temperature range the LM56 V_{TEMP} output has a maximum output impedance of 1500Ω . In an extremely noisy environment it may be necessary to add some filtering to minimize noise pickup. It is recommended that $0.1\ \mu\text{F}$ be added from V^+ to GND to bypass the power supply voltage, as shown in Figure 4. In a noisy environment it may be necessary to add a capacitor from the V_{TEMP} output to ground. A $1\ \mu\text{F}$ output capacitor with the 1500Ω output impedance will

form a 106 Hz lowpass filter. Since the thermal time constant of the V_{TEMP} output is much slower than the 9.4 ms time constant formed by the RC, the overall response time of the V_{TEMP} output will not be significantly affected. For much larger capacitors this additional time lag will increase the overall response time of the LM56.

6.0 APPLICATIONS CIRCUITS



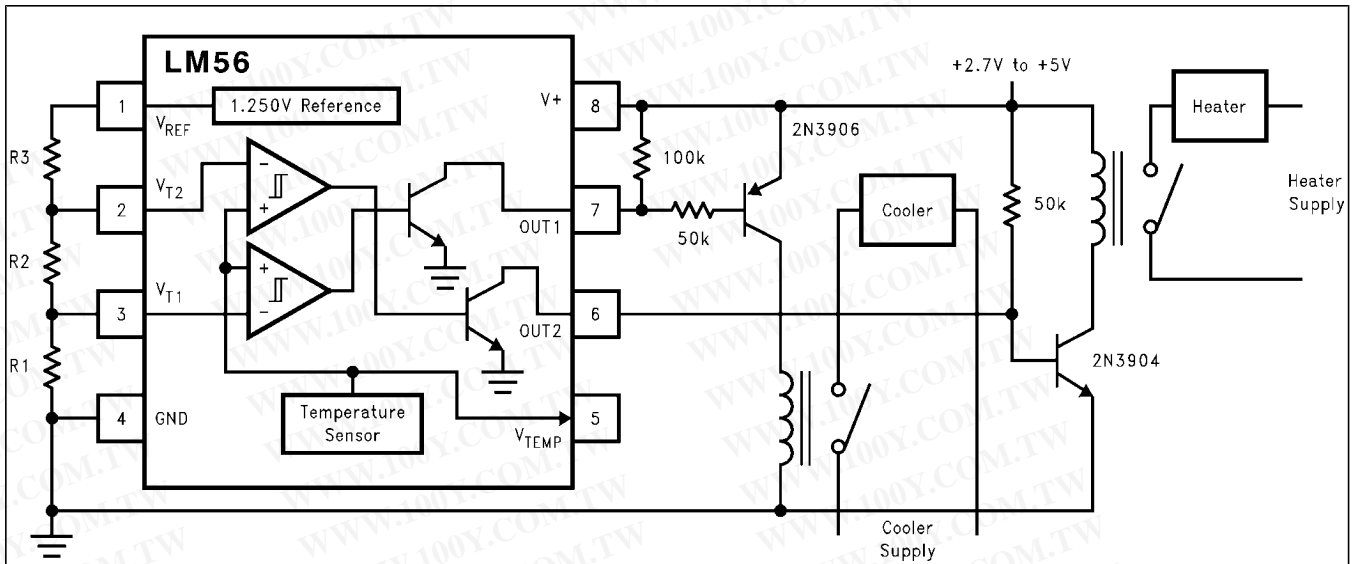
1289320

FIGURE 5. Reducing Errors Caused by Bias Current

The circuit shown in Figure 5 will reduce the effective bias current error for V_{T2} as discussed in Section 3.0 to be equivalent to the error term of V_{T1} . For this circuit the effect of the

bias current on the first trip point can be defined by the following equations:

勝特力材料 886-3-5753170
 勝特力电子(上海) 86-21-34970699
 勝特力电子(深圳) 86-755-83298787
[Http://www.100y.com.tw](http://www.100y.com.tw)



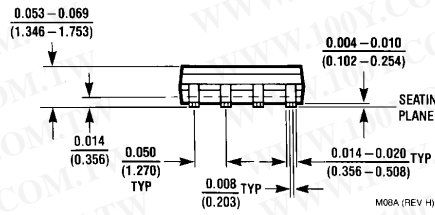
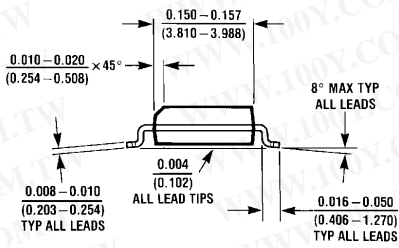
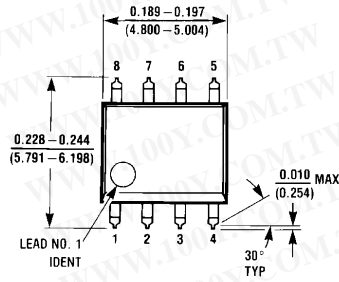
1289322

FIGURE 7. Simple Thermostat

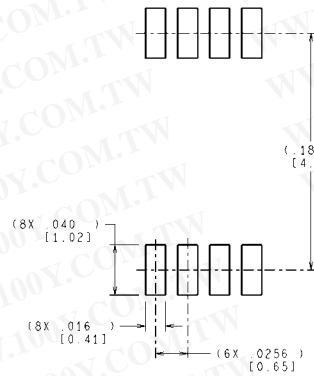
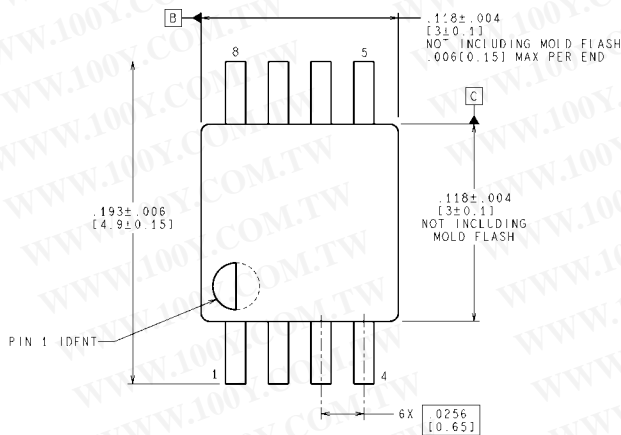
勝特力材料 886-3-5753170
 勝特力电子(上海) 86-21-34970699
 勝特力电子(深圳) 86-755-83298787
[Http://www.100y.com.tw](http://www.100y.com.tw)

Physical Dimensions inches (millimeters) unless otherwise noted

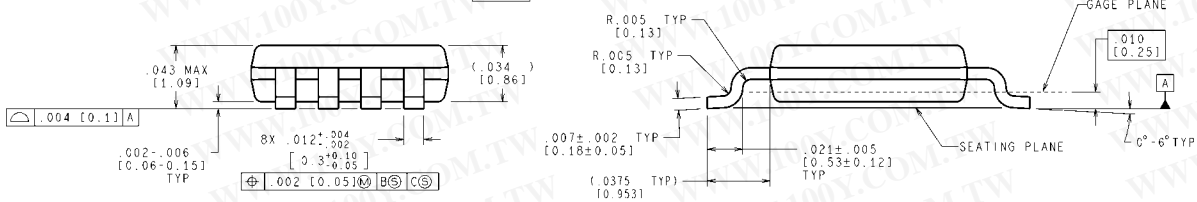
勝特力材料 886-3-5753170
 勝特力电子(上海) 86-21-34970699
 勝特力电子(深圳) 86-755-83298787
 Http://www.100y.com.tw



**8-Lead (0.150 Wide) Molded Small Outline Package, JEDEC
 Order Number LM56BIM, LM56BIMX, LM56CIM or LM56CIMX
 NS Package Number M08A**



RECOMMENDED LAND PATTERN



CONTROLLING DIMENSION IS INCH
 VALUES IN [] ARE MILLIMETERS

MUA08A (Rev F)

**8-Lead Molded Mini Small Outline Package (MSOP)
 (JEDEC REGISTRATION NUMBER M0-187)
 Order Number LM56BIMM, LM56BIMMX, LM56CIMM, or LM56CIMMX
 NS Package Number MUA08A**