

EE-SA801

Using a pushbutton enables accurately detecting difficult-to-detect objects.



- Conforms to standards for semiconductor FOUP cassettes to enable accurately detecting FOUP cassettes without being affected by the material, color, or reflectance of the bottoms of the cassettes.
- Thin design enables mounting in a wider range of applications, e.g., on transfer arms.
- Increased visibility with 4-direction indicator.
- Optical detection of actuator operation provides a long life (mechanical life: 5 million operations min.).
- Models available with PNP or NPN output.



 Be sure to read *Safety Precautions* on page 5.

Ordering Information

List of Models

Appearance	Sensing distance	Sensing method	Operation mode	Cable length	Model	
					NPN output	PNP output
	 (See note 2.) 0 to 3.5 mm (pressed position) (See note 1.)	Pushbutton	ON with no load	1 m (See note 3.)	EE-SA801A	EE-SA801R

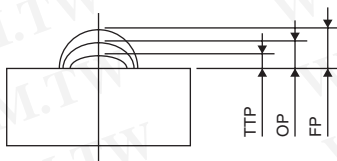
Note: 1. Distance from the top surface of the housing to the top of the actuator.
 2. Output reverses between 3.5 and 4.5 mm.
 3. Standard models are also available with 2-m cables. When ordering, add the cable length to the end of the model number (e.g., EE-SA801A 2M).

勝特力材料 886-3-5753170
 勝特力电子(上海) 86-21-34970699
 勝特力电子(深圳) 86-755-83298787
[Http://www.100y.com.tw](http://www.100y.com.tw)

Ratings and Specifications

Item	Model	NPN output	EE-SA801A
		PNP output	EE-SA801R
Indicator		Light red when actuator is pressed.	
Operation Specifications (See note 1.)	Free position (FP)	5.0±0.4 mm	
	Operating position (OP)	3.5 to 4.5 mm (See note 2.)	
	Total travel position (TTP)	0 mm max.	
Operating load (See note 3.)		3 N max. (typical: 0.5 N)	
Supply voltage		12 to 24 VDC±10%, ripple (p-p): 10% max.	
Current consumption		35 mA max.	
Control output		NPN Models: NPN open collector, 5 to 24 VDC, 50 mA max.; residual voltage of 0.4 V max. at 50-mA load current OFF current: 0.5 mA max. PNP Models: PNP open collector, 5 to 24 VDC, 50 mA max.; residual voltage of 0.4 V max. at 50-mA load current OFF current: 0.5 mA max.	
External diagnosis input	Input	NPN Models Emission OFF: Shorted to 0 V or 0.5 V max. (source current: 30 mA max.) Emission ON: Open (leakage current: 0.4 mA max.) PNP Models Emission OFF: Shorted to +DC or +DC-0.5 V max. (sink current: 30 mA max.) Emission ON: Open (leakage current: 0.4 mA max.)	
	Response time	1 ms max.	
Protection circuits		Reversed power supply polarity protection	
Ambient temperature range		Operating: -25 to +55°C Storage: -30 to +60°C (with no icing or condensation)	
Ambient humidity range		Operating: 5% to 85% Storage: 5% to 95% (with no condensation)	
Mechanical durability		5,000,000 operations min. (One operation is from the free position to operating position and back to the free position.)	
Vibration resistance		Destruction: 10 to 500 Hz, 1.0-mm single amplitude or 150 m/s ² 3 times each in X, Y, and Z directions for 11 min. each	
Shock resistance		Destruction: 500 m/s ² for 3 times each in X, Y, and Z directions	
Degree of protection		IEC IP40	
Connecting method		Pre-wired (standard cable length: 1 m)	
Weight		Approx. 16.1 g	
Material	Case	Polycarbonate	
	Actuator	Polyacetal	
Accessories		Instruction Manual	

Note: 1. Free position (FP): The position of the top of the actuator when no force is being applied to the actuator.
 Operating position (OP): The position of the top of the actuator when the actuator is pressed and the output transistor changes from ON to OFF.
 Total travel position (TTP): The position of the top of the actuator when the actuator is pressed as far as it can be pressed.



- This does not indicate that the output will be ON from 3.5 to 4.5 mm, but rather that the output will change from ON to OFF at some point between 3.5 and 4.5 mm.
- The force required to press the actuator from the FP to the OP.

勝特力材料 886-3-5753170
 勝特力电子(上海) 86-21-34970699
 勝特力电子(深圳) 86-755-83298787
[Http://www.100y.com.tw](http://www.100y.com.tw)

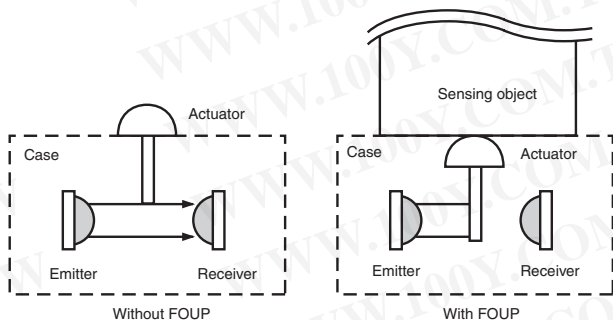
I/O Circuit Diagrams

Model	Operating Mode	Timing chart	Output circuit
EE-SA801A	ON with no load	<p>Sensing object Present/Absent Push indicator (red) ON/OFF Output transistor ON/OFF Load (e.g., relay) Operates/Releases</p>	
EE-SA801R			

勝特力材料 886-3-5753170
 勝特力电子(上海) 86-21-34970699
 勝特力电子(深圳) 86-755-83298787
[Http://www.100y.com.tw](http://www.100y.com.tw)

Operating Principles

This is a pushbutton-type sensor. An emitter (GaAs infrared LED) and receiver (Si photo IC) are positioned across from each other inside the sensor and light is received when there is no sensing object. When the sensing object presses the actuator, the light path between the emitter and receiver is broken so that the receiver no longer receives light.

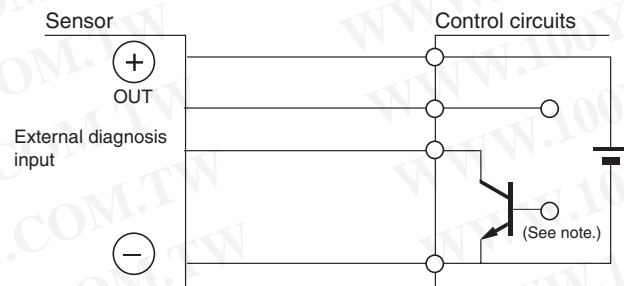


This Sensor provides an external diagnosis function and stability checking function.

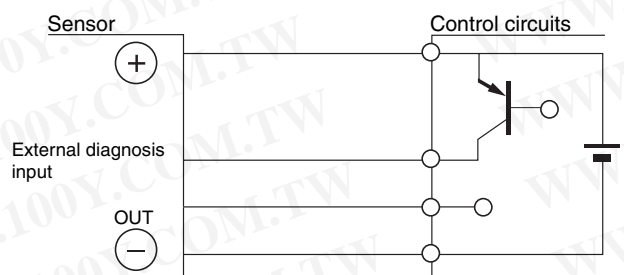
(1) External Diagnosis Function

The light emission from the LED can be stopped by using the following circuit configuration. This enables checking the operation of the receiver by turning the LED ON and OFF when there is no load.

EE-SA801A



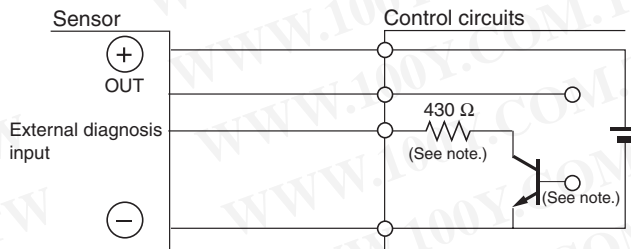
EE-SA801R



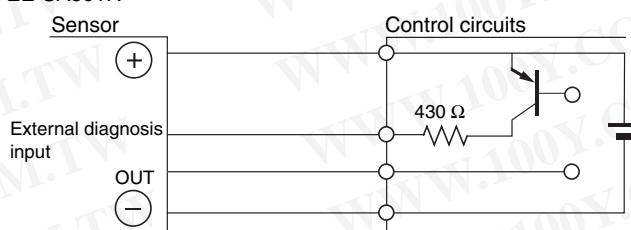
(2) Stability Checking Function

The light intensity emitted by the LED can be reduced by 20% by using the following circuit configuration. By doing so, the light reception operation at 80% light intensity with no sensing object (same as 100%, i.e., the output transistor should turn ON) can be tested in advance to check for malfunctions caused by deterioration of LED light intensity.

EE-SA801A



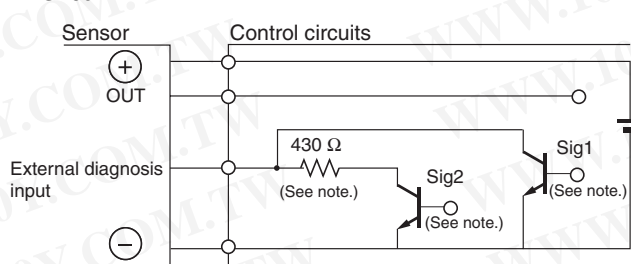
EE-SA801R



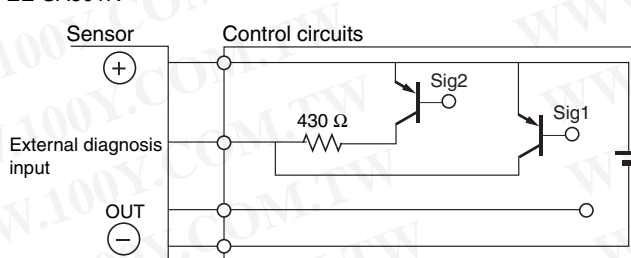
(3) Using Both Functions Simultaneously

Use the following circuit configuration when both the external diagnosis function (Sig1) and the stability checking function (Sig2) are required.

EE-SA801A



EE-SA801R



Note: Use a transistor that is capable of switching 50 mA at 10 V. The resistor must have a power rating of 1/8 W min.

勝特力材料 886-3-5753170
 勝特力电子(上海) 86-21-34970699
 勝特力电子(深圳) 86-755-83298787
[Http://www.100y.com.tw](http://www.100y.com.tw)

Safety Precautions

Refer to *Warranty and Limitations of Liability*.

 WARNING
<p>This product is not designed or rated for ensuring safety of persons either directly or indirectly. Do not use it for such purposes.</p>

Precautions for Correct Use

Make sure that the Photomicrosensor is used within the rated ambient environment conditions.

● **Mounting**

Mount the Photomicrosensor securely on a flat surface using M3 pan head screws, and tighten the mounting screws using a tightening force of 0.59 N·m max.

Adjustment

The EE-SA801 requires 10 ms to be in stable operation after power is supplied. If separate power supplies are used for the EE-SA801 and load, be sure to supply power to the EE-SA801 before supplying power to the load.

Operating Environment

- The EE-SA801 is not watertight. Do not use the EE-SA801 outdoors.
- Do not use the EE-SA801 in places where water, oil, or chemical may be sprayed onto the EE-SA801. The exterior coverings of the EE-SA801 are made of polycarbonate. Keep the coverings away from any alkaline, aromatic hydrocarbon, or aliphatic chloride hydrocarbon solvents, all of which will damage the coverings.

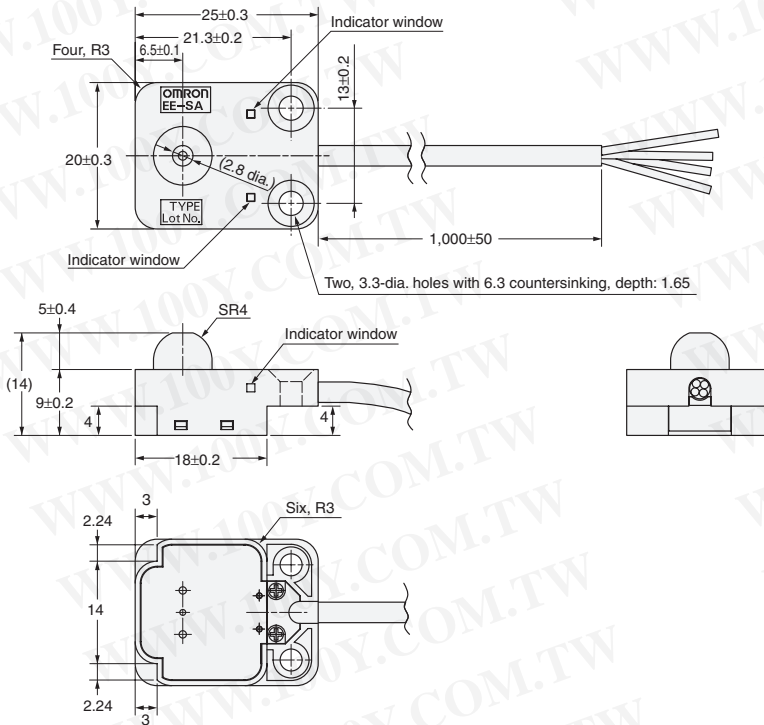
(Unit: mm)

Dimensions

Tolerance class IT16 applies to dimensions in this datasheet unless otherwise specified.

Sensor

EE-SA801



勝特力材料 886-3-5753170
 勝特力电子(上海) 86-21-34970699
 勝特力电子(深圳) 86-755-83298787
[Http://www.100y.com.tw](http://www.100y.com.tw)

Read and Understand This Catalog

Please read and understand this catalog before purchasing the products. Please consult your OMRON representative if you have any questions or comments.

Warranty and Limitations of Liability

WARRANTY

OMRON's exclusive warranty is that the products are free from defects in materials and workmanship for a period of one year (or other period if specified) from date of sale by OMRON.

OMRON MAKES NO WARRANTY OR REPRESENTATION, EXPRESS OR IMPLIED, REGARDING NON-INFRINGEMENT, MERCHANTABILITY, OR FITNESS FOR PARTICULAR PURPOSE OF THE PRODUCTS. ANY BUYER OR USER ACKNOWLEDGES THAT THE BUYER OR USER ALONE HAS DETERMINED THAT THE PRODUCTS WILL SUITABLY MEET THE REQUIREMENTS OF THEIR INTENDED USE. OMRON DISCLAIMS ALL OTHER WARRANTIES, EXPRESS OR IMPLIED.

LIMITATIONS OF LIABILITY

OMRON SHALL NOT BE RESPONSIBLE FOR SPECIAL, INDIRECT, OR CONSEQUENTIAL DAMAGES, LOSS OF PROFITS OR COMMERCIAL LOSS IN ANY WAY CONNECTED WITH THE PRODUCTS, WHETHER SUCH CLAIM IS BASED ON CONTRACT, WARRANTY, NEGLIGENCE, OR STRICT LIABILITY.

In no event shall the responsibility of OMRON for any act exceed the individual price of the product on which liability is asserted.

IN NO EVENT SHALL OMRON BE RESPONSIBLE FOR WARRANTY, REPAIR, OR OTHER CLAIMS REGARDING THE PRODUCTS UNLESS OMRON'S ANALYSIS CONFIRMS THAT THE PRODUCTS WERE PROPERLY HANDLED, STORED, INSTALLED, AND MAINTAINED AND NOT SUBJECT TO CONTAMINATION, ABUSE, MISUSE, OR INAPPROPRIATE MODIFICATION OR REPAIR.

Application Considerations

SUITABILITY FOR USE

OMRON shall not be responsible for conformity with any standards, codes, or regulations that apply to the combination of products in the customer's application or use of the products.

At the customer's request, OMRON will provide applicable third party certification documents identifying ratings and limitations of use that apply to the products. This information by itself is not sufficient for a complete determination of the suitability of the products in combination with the end product, machine, system, or other application or use.

The following are some examples of applications for which particular attention must be given. This is not intended to be an exhaustive list of all possible uses of the products, nor is it intended to imply that the uses listed may be suitable for the products:

- Outdoor use, uses involving potential chemical contamination or electrical interference, or conditions or uses not described in this catalog.
- Nuclear energy control systems, combustion systems, railroad systems, aviation systems, medical equipment, amusement machines, vehicles, safety equipment, and installations subject to separate industry or government regulations.
- Systems, machines, and equipment that could present a risk to life or property.

Please know and observe all prohibitions of use applicable to the products.

NEVER USE THE PRODUCTS FOR AN APPLICATION INVOLVING SERIOUS RISK TO LIFE OR PROPERTY WITHOUT ENSURING THAT THE SYSTEM AS A WHOLE HAS BEEN DESIGNED TO ADDRESS THE RISKS, AND THAT THE OMRON PRODUCTS ARE PROPERLY RATED AND INSTALLED FOR THE INTENDED USE WITHIN THE OVERALL EQUIPMENT OR SYSTEM.

PROGRAMMABLE PRODUCTS

OMRON shall not be responsible for the user's programming of a programmable product, or any consequence thereof.

Disclaimers

CHANGE IN SPECIFICATIONS

Product specifications and accessories may be changed at any time based on improvements and other reasons.

It is our practice to change model numbers when published ratings or features are changed, or when significant construction changes are made. However, some specifications of the products may be changed without any notice. When in doubt, special model numbers may be assigned to fix or establish key specifications for your application on your request. Please consult with your OMRON representative at any time to confirm actual specifications of purchased products.

DIMENSIONS AND WEIGHTS

Dimensions and weights are nominal and are not to be used for manufacturing purposes, even when tolerances are shown.

PERFORMANCE DATA

Performance data given in this catalog is provided as a guide for the user in determining suitability and does not constitute a warranty. It may represent the result of OMRON's test conditions, and the users must correlate it to actual application requirements. Actual performance is subject to the OMRON Warranty and Limitations of Liability.

ERRORS AND OMISSIONS

The information in this document has been carefully checked and is believed to be accurate; however, no responsibility is assumed for clerical, typographical, or proofreading errors, or omissions.

2008.11

In the interest of product improvement, specifications are subject to change without notice.

OMRON Corporation
Industrial Automation Company

<http://www.ia.omron.com/>

勝特力材料 886-3-5753170

勝特力电子(上海) 86-21-34970699

勝特力电子(深圳) 86-755-83298787

[Http://www.100y.com.tw](http://www.100y.com.tw)

(c)Copyright OMRON Corporation 2008 All Right Reserved.