

Sensata Technologies 17AM

Thermal Protector for Motor / Ballast for Fluorescent and Temperature Sensing Controls

The World Depends on Sensors and Controls

The Sensata Technologies 17AM delivers the maximum protection in the smallest package at an excellent price... The KLIXON 17AM Thermal protector prevents overheating. It's a miniature, snap acting, thermally operated device that is a proven performer in protection technology. It protects against overheating in:

- Shaded Pole Motor
- Permanent split capacitor motor
- Fluorescent lighting ballasts
- HID ballasts
- Transformer
- Recessed lighting fixtures
- Battery packs
- Vacuum cleaners
- Automotive accessory motors, solenoids, PC boards

and other applications

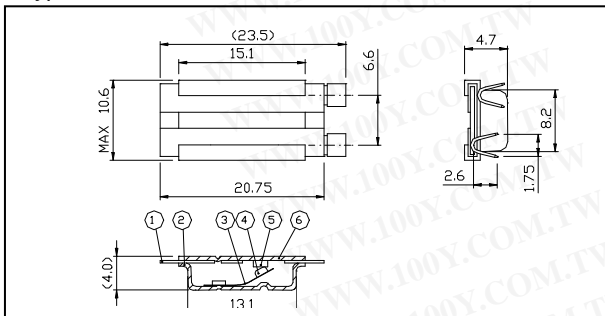
Here's why you should be using Sensata Technologies 17AM Thermal Protectors in your product:

- Miniature size.
- Individually temperature calibrated and checked.
- Positive make and break with Klixon snap action disc.
- Repeatable temperature performance over life.
- Gasket steel case suitable for many impregnation processes.
- Current and temperature sensitivity for maximum design flexibility.
- Wide selection of leads and insulating sleeves.
- Same size and opposite side terminations.
- Cadmium free contacts

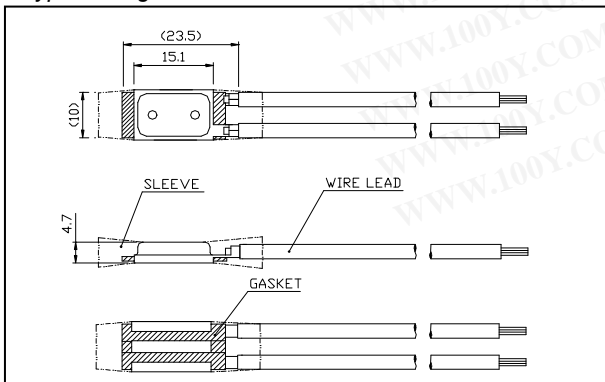
Operation

The 17AM Thermal protector uses the same snap-action principle of other KLIXON protectors. The bimetal disc senses both heat and current from the equipment which 17AM is installed on. When the temperature of the disc reaches a predetermined calibration point, the disc snaps open the contacts, thus breaking the current path. When the equipment returns to a normal operating range, the 17AM protector resets (close circuit) automatically. Construction and Configuration is as shown below.

A-type Construction



A-type Configuration



Technical Characteristics

Contact Capacity:	125Vac18A for TCO 250Vac9A for TCO 250Vac1A for TBP
Temperature Range:	65°C to 160°C for TCO/TMP 65°C to 135°C for TBP
Tolerance on Open Temp:	+/- 5K, +/- 8K or +/- 10K
Max. temp. of the switch head:	max.160°C
Automatic Action:	Type3C for motor Type2C for ballast Type2B for TCO
Operating time:	Continuous
Pollution Situation:	Normal
Extent of sensing element:	whole control
PTI for Insulation:	250
Degree of protection:	IP00
Electrical connections:	On winding, Inserting, Clamping, Bracketing or like

Certifications

Category	UL	ENEC	CQC
Motor Protector	E15962	2014531.05	CQC0200 2001332
Ballast for Fluorescent and Thermal Cut Out	E34618	2014531.05	-
Temperature Sensing Controls	E34618	2014531.05	-

Protectors are not registered in CCC(China Compulsory Certification) products list at present.

CQC(China Quality Certification Centre) is a national certification body in China.



勝特力材料 886-3-5753170
 勝特力电子(上海) 86-21-34970699
 勝特力电子(深圳) 86-755-83298787
[Http://www.100y.com.tw](http://www.100y.com.tw)

Sensata Technologies

17AM

Thermal Protector for Motor / Ballast for Fluorescent and Temperature Sensing Controls

The World Depends on Sensors and Controls

Unique Type Reference

It is clearly defined the numbering system to find what user needs to know as follows.

17AM XXX Y Z - ZZ

ZZ : Lead length
 Serial number is assigned for each lead length and configuration. No number identifies bare device.

Z : Open Temperature Tolerance
 5 : ±5°C
 8 : ±8°C
 10 : ±10°C

Y : Termination Configuration
 A/J: Terminals on same side
 B/K: Terminals on opposite side
 E: Terminals on same side with longer gasket and terminals
 H: Terminals on opposite side with longer gasket and terminals

XX : Open Temperature
3 digit number for opening temperature

Nominal Operating Temperature	Type of Bimetal Disc (ohms/cm ²)			
	70	125	350	468
Temperature Code				
65	020	060	-	-
70	021	061	161	201
75	022	062	162	202
80	023	063	163	203
85	024	064	164	204
90	025	065	165	205
95	026	066	166	206
100	027	067	167	207
105	028	068	168	208
110	029	069	169	209
115	030	070	170	210
120	031	071	171	211
125	032	072	172	212
130	033	073	173	213
135	034	074	174	214
140	035	075	175	215
145	036	076	176	216
150	037	077	177	217
155	038	078	178	218
160	039	079	179	219

Example :
17AM033A5-4
 Bimetal of 70ohms/cm², 130°C opening temperature, 5°C tolerance with 66.7mm length leads.

17AM : Device Identification



The World Depends on Sensors and Controls

Sensata Technologies Inc.
Control products Business Unit

Website: www.sensata.com