

## Integrated Silicon Pressure Sensor On-Chip Signal Conditioned, Temperature Compensated and Calibrated

**MPX5500  
Series**  
0 to 500 kPa (0 to 72.5 psi)  
0.2 to 4.7 V Output

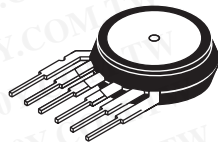
The MPX5500 series piezoresistive transducer is a state-of-the-art monolithic silicon pressure sensor designed for a wide range of applications, but particularly those employing a microcontroller or microprocessor with A/D inputs. This patented, single element transducer combines advanced micromachining techniques, thin-film metallization, and bipolar processing to provide an accurate, high level analog output signal that is proportional to the applied pressure.

### Features

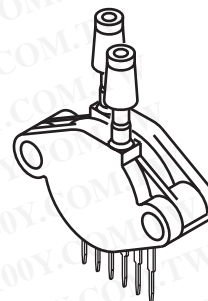
- 2.5% Maximum Error over 0° to 85°C
- Ideally suited for Microprocessor or Microcontroller-Based Systems
- Patented Silicon Shear Stress Strain Gauge
- Durable Epoxy Unibody Element
- Available in Differential and Gauge Configurations

| ORDERING INFORMATION                    |          |            |        |      |               |              |          |                |
|---|----------|------------|--------|------|---------------|--------------|----------|----------------|
| Device Name                             | Case No. | # of Ports |        |      | Pressure Type |              |          | Device Marking |
|   |          | None       | Single | Dual | Gauge         | Differential | Absolute |                |
| <b>Unibody Package (MPX5500 Series)</b> |          |            |        |      |               |              |          |                |
| MPX5500D                                | 867      | •          |        |      |               | •            |          | MPX5500D       |
| MPX5500DP                               | 867C     |            |        | •    |               | •            |          | MPX5500DP      |

### UNIBODY PACKAGES



MPX5500D  
CASE 867-08



MPX5500DP  
CASE 867C-05

勝特力材料 886-3-5753170  
勝特力电子(上海) 86-21-34970699  
勝特力电子(深圳) 86-755-83298787  
[Http://www.100y.com.tw](http://www.100y.com.tw)

## Operating Characteristics

**Table 1. Operating Characteristics** ( $V_S = 5.0$  Vdc,  $T_A = 25^\circ\text{C}$  unless otherwise noted,  $P_1 > P_2$ . Decoupling circuit shown in Figure 4. required to meet electrical specifications.)

| Characteristic                             | Symbol    | Min   | Typ  | Max   | Unit        |
|--|-----------|-------|------|-------|-------------|
| Pressure Range <sup>(1)</sup>              | $P_{OP}$  | 0     | —    | 500   | kPa         |
| Supply Voltage <sup>(2)</sup>              | $V_S$     | 4.75  | 5.0  | 5.25  | Vdc         |
| Supply Current                             | $I_O$     | —     | 7.0  | 10    | mAdc        |
| Zero Pressure Offset <sup>(3)</sup>        | $V_{off}$ | 0.088 | 0.20 | 0.313 | Vdc         |
| Full Scale Output <sup>(4)</sup>           | $V_{FSO}$ | 4.587 | 4.70 | 4.813 | Vdc         |
| Full Scale Span <sup>(5)</sup>             | $V_{FSS}$ | —     | 4.50 | —     | Vdc         |
| Accuracy <sup>(6)</sup>                    | —         | —     | —    | ±2.5  | % $V_{FSS}$ |
| Sensitivity                                | V/P       | —     | 9.0  | —     | mV/kPa      |
| Response Time <sup>(7)</sup>               | $t_R$     | —     | 1.0  | —     | ms          |
| Output Source Current at Full Scale Output | $I_{O+}$  | —     | 0.1  | —     | mAdc        |
| Warm-Up Time <sup>(8)</sup>                | —         | —     | 20   | —     | ms          |

- 1.0 kPa (kiloPascal) equals 0.145 psi.
- Device is ratiometric within this specified excitation range.
- Offset ( $V_{off}$ ) is defined as the output voltage at the minimum rated pressure.
- Full Scale Output ( $V_{FSO}$ ) is defined as the output voltage at the maximum or full rated pressure.
- Full Scale Span ( $V_{FSS}$ ) is defined as the algebraic difference between the output voltage at full rated pressure and the output voltage at the minimum rated pressure.
- Accuracy (error budget) consists of the following:
  - Linearity: Output deviation from a straight line relationship with pressure over the specified pressure range.
  - Temperature Hysteresis: Output deviation at any temperature within the operating temperature range, after the temperature is cycled to and from the minimum or maximum operating temperature points, with zero differential pressure applied.
  - Pressure Hysteresis: Output deviation at any pressure within the specified range, when this pressure is cycled to and from the minimum or maximum rated pressure, at  $25^\circ\text{C}$ .
  - TcSpan: Output deviation over the temperature range of  $0^\circ$  to  $85^\circ\text{C}$ , relative to  $25^\circ\text{C}$ .
  - TcOffset: Output deviation with minimum rated pressure applied, over the temperature range of  $0^\circ$  to  $85^\circ\text{C}$ , relative to  $25^\circ\text{C}$ .
  - Variation from Nominal: The variation from nominal values, for Offset or Full Scale Span, as a percent of  $V_{FSS}$ , at  $25^\circ\text{C}$ .
- Response Time is defined as the time for the incremental change in the output to go from 10% to 90% of its final value when subjected to a specified step change in pressure.
- Warm-up Time is defined as the time required for the device to meet the specified output voltage after the pressure has been stabilized.

勝特力材料 886-3-5753170  
 勝特力电子(上海) 86-21-34970699  
 勝特力电子(深圳) 86-755-83298787  
[Http://www.100y.com.tw](http://www.100y.com.tw)

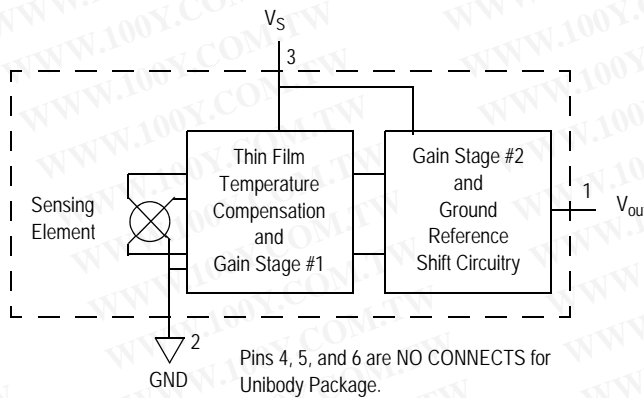
## Maximum Ratings

**Table 2. Maximum Ratings<sup>(1)</sup>**

| Rating  | Symbol     | Value       | Unit |
|---|------------|-------------|------|
| Maximum Pressure <sup>(2)</sup> ( $P2 \leq 1$ Atmosphere) | $P1_{max}$ | 2000        | kPa  |
| Storage Temperature                                       | $T_{stg}$  | -40 to +125 | °C   |
| Operating Temperature                                     | $T_A$      | -40 to +125 | °C   |

- Maximum Ratings apply to Case 867 only. Extended exposure at the specified limits may cause permanent damage or degradation to the device.
- This sensor is designed for applications where P1 is always greater than, or equal to P2. P2 maximum is 500 kPa.

Figure 1 shows a block diagram of the internal circuitry integrated on a pressure sensor chip.



**Figure 1. Fully Integrated Pressure Sensor Schematic**

勝特力材料 886-3-5753170  
 勝特力电子(上海) 86-21-34970699  
 勝特力电子(深圳) 86-755-83298787  
[Http://www.100y.com.tw](http://www.100y.com.tw)

## On-chip Temperature Compensation and Calibration

Figure 3 illustrates the Differential/Gauge basic chip carrier (Case 867). A fluorosilicone gel isolates the die surface and wire bonds from the environment, while allowing the pressure signal to be transmitted to the sensor diaphragm. (For use of the MPX5500D in a high pressure, cyclic application, consult the factory.)

The MPX5500 series pressure sensor operating characteristics, and internal reliability and qualification tests are based on use of dry air as the pressure media. Media, other than dry air, may have adverse effects on sensor performance and long-term reliability. Contact the factory for information regarding media compatibility in your application.

Figure 2 shows the sensor output signal relative to pressure input. Typical, minimum, and maximum output curves are shown for operation over a temperature range of 0° to 85°C using the decoupling circuit shown in Figure 4. The output will saturate outside of the specified pressure range.

Figure 4 shows the recommended decoupling circuit for interfacing the output of the integrated sensor to the A/D input of a microprocessor or microcontroller. Proper decoupling of the power supply is recommended.

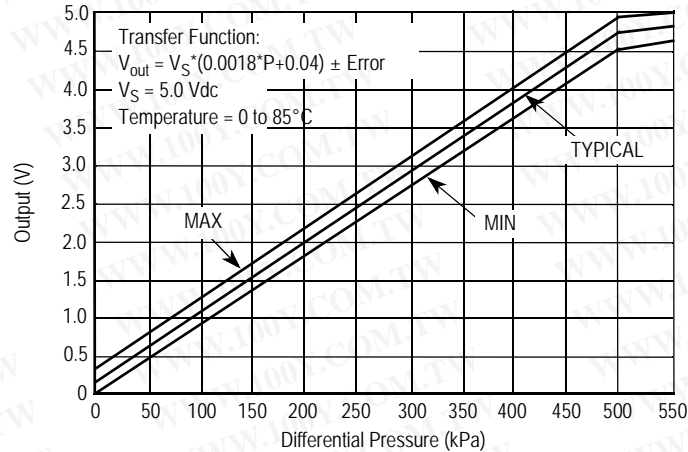


Figure 2. Output vs. Pressure Differential

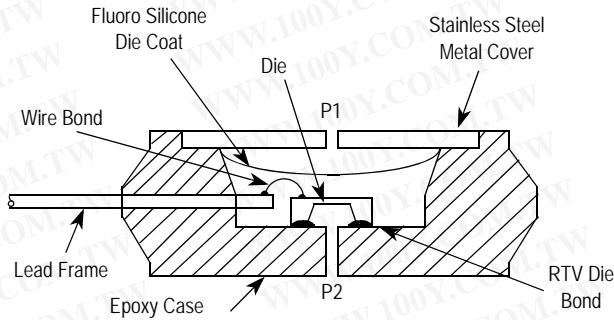


Figure 3. Cross-Sectional Diagrams (not to scale)

勝特力材料 886-3-5753170  
 勝特力电子(上海) 86-21-34970699  
 勝特力电子(深圳) 86-755-83298787  
[Http://www.100y.com.tw](http://www.100y.com.tw)

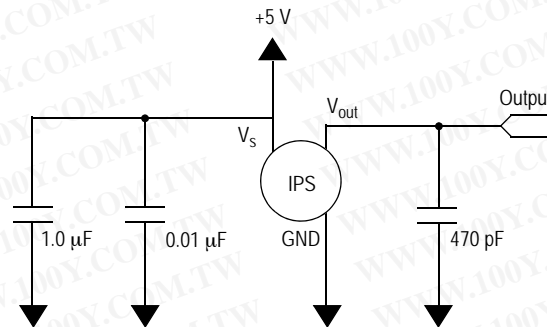


Figure 4. Recommended Power Supply Decoupling and Output Filtering  
 (For additional output filtering, please refer to Application Note AN1646)



**PRESSURE (P1)/VACUUM (P2) SIDE IDENTIFICATION TABLE**

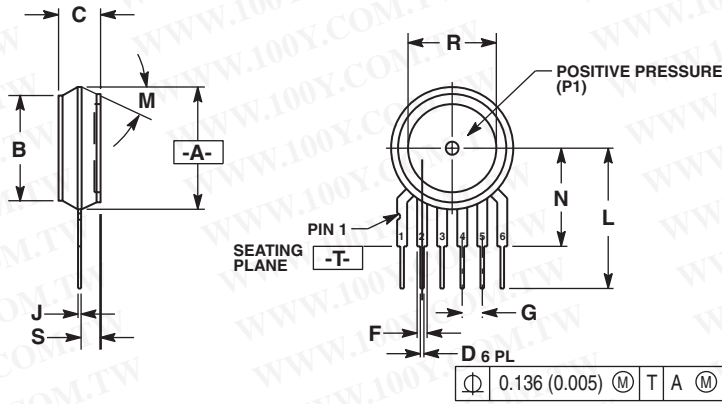
Freescale designates the two sides of the pressure sensor as the Pressure (P1) side and the Vacuum (P2) side. The Pressure (P1) side is the side containing fluorosilicone gel which protects the die from harsh media. The Freescale MPX pressure sensor is designed to operate with positive differential pressure applied,  $P1 > P2$ .

The Pressure (P1) side may be identified by using the following table.

| Part Number | Case Type | Pressure (P1) Side Identifier |
|-------------|-----------|-------------------------------|
| MPX5500D    | 867       | Stainless Steel Cap           |
| MPX5500DP   | 867C      | Side with Part Marking        |

勝特力材料 886-3-5753170  
 勝特力电子(上海) 86-21-34970699  
 勝特力电子(深圳) 86-755-83298787  
[Http://www.100y.com.tw](http://www.100y.com.tw)

PACKAGE DIMENSIONS



- NOTES:
1. DIMENSIONING AND TOLERANCING PER ANSI Y14.5M, 1982.
  2. CONTROLLING DIMENSION: INCH.
  3. DIMENSION -A- IS INCLUSIVE OF THE MOLD STOP RING. MOLD STOP RING NOT TO EXCEED 16.00 (0.630).

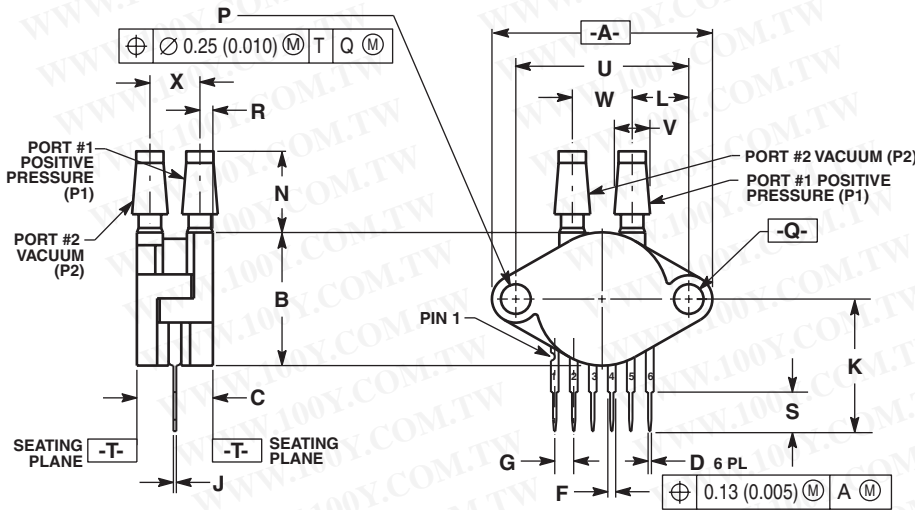
| DIM | INCHES    |       | MILLIMETERS |       |
|-----|-----------|-------|-------------|-------|
|     | MIN       | MAX   | MIN         | MAX   |
| A   | 0.595     | 0.630 | 15.11       | 16.00 |
| B   | 0.514     | 0.534 | 13.06       | 13.56 |
| C   | 0.200     | 0.220 | 5.08        | 5.59  |
| D   | 0.027     | 0.033 | 0.68        | 0.84  |
| F   | 0.048     | 0.064 | 1.22        | 1.63  |
| G   | 0.100 BSC |       | 2.54 BSC    |       |
| J   | 0.014     | 0.016 | 0.36        | 0.40  |
| L   | 0.695     | 0.725 | 17.65       | 18.42 |
| M   | 30' NOM   |       | 30' NOM     |       |
| N   | 0.475     | 0.495 | 12.07       | 12.57 |
| R   | 0.430     | 0.450 | 10.92       | 11.43 |
| S   | 0.090     | 0.105 | 2.29        | 2.66  |

- STYLE 1:  
 PIN 1. VOUT  
 2. GROUND  
 3. VCC  
 4. V1  
 5. V2  
 6. VEX

- STYLE 2:  
 PIN 1. OPEN  
 2. GROUND  
 3. -VOUT  
 4. VSUPPLY  
 5. +VOUT  
 6. OPEN

- STYLE 3:  
 PIN 1. OPEN  
 2. GROUND  
 3. +VOUT  
 4. +VSUPPLY  
 5. -VOUT  
 6. OPEN

CASE 867-08  
 ISSUE N  
 BASIC ELEMENT



- NOTES:
1. DIMENSIONING AND TOLERANCING PER ASME Y14.5M, 1994.
  2. CONTROLLING DIMENSION: INCH.

| DIM | INCHES    |       | MILLIMETERS |       |
|-----|-----------|-------|-------------|-------|
|     | MIN       | MAX   | MIN         | MAX   |
| A   | 1.145     | 1.175 | 29.08       | 29.85 |
| B   | 0.685     | 0.715 | 17.40       | 18.16 |
| C   | 0.405     | 0.435 | 10.29       | 11.05 |
| D   | 0.027     | 0.033 | 0.68        | 0.84  |
| F   | 0.048     | 0.064 | 1.22        | 1.63  |
| G   | 0.100 BSC |       | 2.54 BSC    |       |
| J   | 0.014     | 0.016 | 0.36        | 0.41  |
| K   | 0.695     | 0.725 | 17.65       | 18.42 |
| L   | 0.290     | 0.300 | 7.37        | 7.62  |
| N   | 0.420     | 0.440 | 10.67       | 11.18 |
| P   | 0.153     | 0.159 | 3.89        | 4.04  |
| Q   | 0.153     | 0.159 | 3.89        | 4.04  |
| R   | 0.063     | 0.083 | 1.60        | 2.11  |
| S   | 0.220     | 0.240 | 5.59        | 6.10  |
| U   | 0.910 BSC |       | 23.11 BSC   |       |
| V   | 0.182     | 0.194 | 4.62        | 4.93  |
| W   | 0.310     | 0.330 | 7.87        | 8.38  |
| X   | 0.248     | 0.278 | 6.30        | 7.06  |

- STYLE 1:  
 PIN 1. Vout  
 2. GROUND  
 3. Vcc  
 4. V1  
 5. V2  
 6. Vex

CASE 867C-05  
 ISSUE F  
 PRESSURE AND VACUUM SIDES PORTED (DP)

勝特力材料 886-3-5753170  
 勝特力电子(上海) 86-21-34970699  
 勝特力电子(深圳) 86-755-83298787  
[Http://www.100y.com.tw](http://www.100y.com.tw)

## How to Reach Us:

### Home Page:

[www.freescale.com](http://www.freescale.com)

### Web Support:

<http://www.freescale.com/support>

### USA/Europe or Locations Not Listed:

Freescale Semiconductor, Inc.  
Technical Information Center, EL516  
2100 East Elliot Road  
Tempe, Arizona 85284  
+1-800-521-6274 or +1-480-768-2130  
[www.freescale.com/support](http://www.freescale.com/support)

### Europe, Middle East, and Africa:

Freescale Halbleiter Deutschland GmbH  
Technical Information Center  
Schatzbogen 7  
81829 Muenchen, Germany  
+44 1296 380 456 (English)  
+46 8 52200080 (English)  
+49 89 92103 559 (German)  
+33 1 69 35 48 48 (French)  
[www.freescale.com/support](http://www.freescale.com/support)

### Japan:

Freescale Semiconductor Japan Ltd.  
Headquarters  
ARCO Tower 15F  
1-8-1, Shimo-Meguro, Meguro-ku,  
Tokyo 153-0064  
Japan  
0120 191014 or +81 3 5437 9125  
[support.japan@freescale.com](mailto:support.japan@freescale.com)

### Asia/Pacific:

Freescale Semiconductor Hong Kong Ltd.  
Technical Information Center  
2 Dai King Street  
Tai Po Industrial Estate  
Tai Po, N.T., Hong Kong  
+800 2666 8080  
[support.asia@freescale.com](mailto:support.asia@freescale.com)

### For Literature Requests Only:

Freescale Semiconductor Literature Distribution Center  
1-800-441-2447 or 303-675-2140  
Fax: 303-675-2150  
[LDCForFreescaleSemiconductor@hibbertgroup.com](mailto:LDCForFreescaleSemiconductor@hibbertgroup.com)

勝特力材料 886-3-5753170  
勝特力电子(上海) 86-21-34970699  
勝特力电子(深圳) 86-755-83298787  
[Http://www.100y.com.tw](http://www.100y.com.tw)

Information in this document is provided solely to enable system and software implementers to use Freescale Semiconductor products. There are no express or implied copyright licenses granted hereunder to design or fabricate any integrated circuits or integrated circuits based on the information in this document.

Freescale Semiconductor reserves the right to make changes without further notice to any products herein. Freescale Semiconductor makes no warranty, representation or guarantee regarding the suitability of its products for any particular purpose, nor does Freescale Semiconductor assume any liability arising out of the application or use of any product or circuit, and specifically disclaims any and all liability, including without limitation consequential or incidental damages. "Typical" parameters that may be provided in Freescale Semiconductor data sheets and/or specifications can and do vary in different applications and actual performance may vary over time. All operating parameters, including "Typicals", must be validated for each customer application by customer's technical experts. Freescale Semiconductor does not convey any license under its patent rights nor the rights of others. Freescale Semiconductor products are not designed, intended, or authorized for use as components in systems intended for surgical implant into the body, or other applications intended to support or sustain life, or for any other application in which the failure of the Freescale Semiconductor product could create a situation where personal injury or death may occur. Should Buyer purchase or use Freescale Semiconductor products for any such unintended or unauthorized application, Buyer shall indemnify and hold Freescale Semiconductor and its officers, employees, subsidiaries, affiliates, and distributors harmless against all claims, costs, damages, and expenses, and reasonable attorney fees arising out of, directly or indirectly, any claim of personal injury or death associated with such unintended or unauthorized use, even if such claim alleges that Freescale Semiconductor was negligent regarding the design or manufacture of the part.

Freescale™ and the Freescale logo are trademarks of Freescale Semiconductor, Inc. All other product or service names are the property of their respective owners.

© Freescale Semiconductor, Inc. 2009. All rights reserved.