

DATA

Independent 130

Maximum independence with the multifunctional ERSA gas soldering sets



Fig.: Independent 130 Profi Set

Off the line gas soldering power, infinitely variable up to 130 W. Comfortable piezo ignition. Operation with lighter gas.

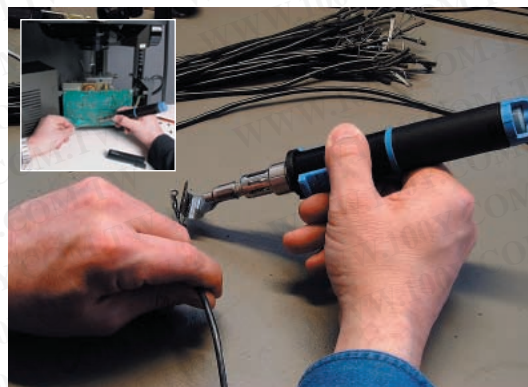
The „larger edition“ of ERSA gas soldering irons, the Independent 130, is most suitable in situations where sophisticated soldering solutions are required off the line. Due to a large power spectrum which is infinitely variable from 25 - 130 watts (compared with electrical soldering irons) and a large selection of soldering tips, the Independent 130 offers many applications in the servicing, installation, repair and maintenance field.

The integrated piezo ignition together with the fact that the iron operates on commercially available butane gas ensures easy handling and high reliability. One filling is sufficient for an operating time of approx. 120 min, the max. soldering tip temperature is approx. 580°C.

The Independent 130 „Basic Set“ consists of a gas soldering iron with pre-installed catalytic

soldering tip, a spare tip and a sponge container with cleaning sponge.

The Independent 130 „Profi Set“ includes, in addition to the „Basic Set“, another 2 soldering tips, a hot blade to shape and cut high-resistance foam, a hot gas nozzle and a deflector to shrink different sizes of heat-shrinkable sleeves and to solder SMD components as well as a flame nozzle to micro weld.



勝特力材料 886-3-5753170
勝特力电子(上海) 86-21-34970699
勝特力电子(深圳) 86-755-83298787
[Http://www.100y.com.tw](http://www.100y.com.tw)

ERSA-product range

Soldering tools

- NEW DIMENSION
- PROFI-LINE
- IR-Rework
- CLEAN-AIR

Soldering systems

Wave soldering

- ETS-line
- EWS-line
- N-Wave-line
- Solution

Reflow soldering

- Hotflow 3
- Hotflow 5
- Hotflow 7
- Hotflow 9
- Hotflow 11
- ERS 250

Selective soldering

- EAS-line
- Multiflow
- Versaflow
- Versaflow Compact
- Versaflow High Speed
- Place & Solder

Inspection systems

- ERSASCOPE
- ImageDoc Software

Other services

- Know-how seminars
- In-House trainings
- Test soldering
- Installation and maintenance assistance
- Process support

DATA

Independent 130

Maximum independence with the multifunctional ERSA gas soldering sets



original size

Technical data:

Rating: 25 - 130 W
 Heating time: 183°C in approx. 30 sec.
 Sold. tip temp.: approx. 580°C max.
 Weight: 121 g
 Ignition: piezo ignition, operates on butane gas

Order nos.:

0G13400141 Gas soldering set Independent 130 „Profi Set“



consisting of:

- 0G130KN Gas soldering iron Independent 130 with chisel-shaped soldering tip 0G132KN, 2.4 mm
- 415-4050 0G132CN Chisel-shaped sold. tip, 1.0 mm
- 415-3574 0G132AN Chisel-shaped sold. tip, 3.2 mm
- 415-3940 0G132VN Chisel-shaped sold. tip, 4.8 mm
- 415-4000 0G132BE Flame nozzle
- 415-4038 0G132HE Hot gas nozzle
- 415-3596 0G132MN Hot blade
- 415-3697 0G132RE Deflector to shrink heat-shrinkable sleeves
- 0006 Cleaning sponge
- 0G156 Sponge container

Order nos.:

415-4044 0G13400041 Gas soldering set Independent 130 „Basic Set“

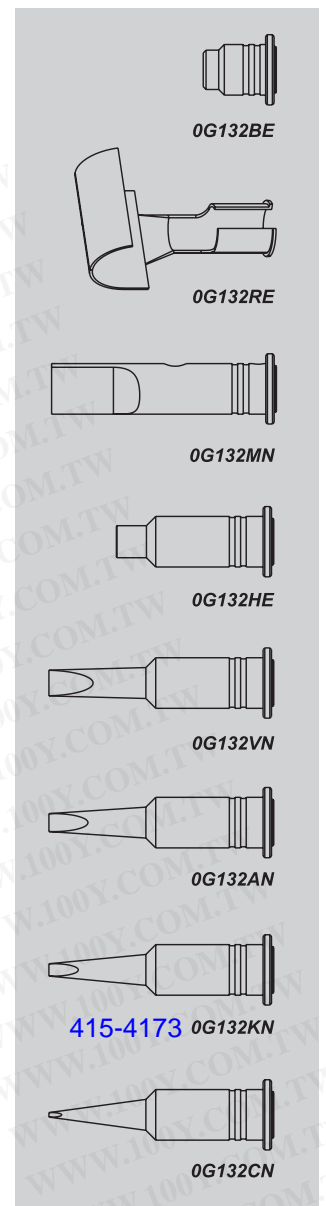


consisting of:

- 0G130KN Gas soldering iron Independent 130 with chisel-shaped soldering tip 0G132KN, 2.4 mm
- 0G132CN Chisel-shaped soldering tip, 1.0 mm
- 0006 Cleaning sponge
- 0G156 Sponge container

Accessories:

- 0G 806 K Gas cartridge, 65 ml



勝特力材料 886-3-5753170
 勝特力电子(上海) 86-21-34970699
 勝特力电子(深圳) 86-755-83298787
[Http://www.100y.com.tw](http://www.100y.com.tw)

ERSA GmbH
 Otto-Schott-Straße 3-7
 P.O.Box 1261
 97862 Wertheim/Germany
 Tel: +49(0)9342/800-0
 Fax: +49(0)9342/800-250
 e-mail: info@ersa.de
<http://www.ersa.de>

A Kurtz Company