

FPC R/A SMT 0.5mm SERIES

MATERIAL:

Housing: LCP With GF. UL 94V-0.

Actuator: PPS With GF. UL 94V-0.

Contact: Phosphor Bronze.

Mounting Leg: Brass.

勝特力材料 886-3-5753170
 勝特力电子(上海) 86-21-54151736
 勝特力电子(深圳) 86-755-83298787
[Http://www.100y.com.tw](http://www.100y.com.tw)

FINISH:

Contact: Tin/Lead overNickel Palting.

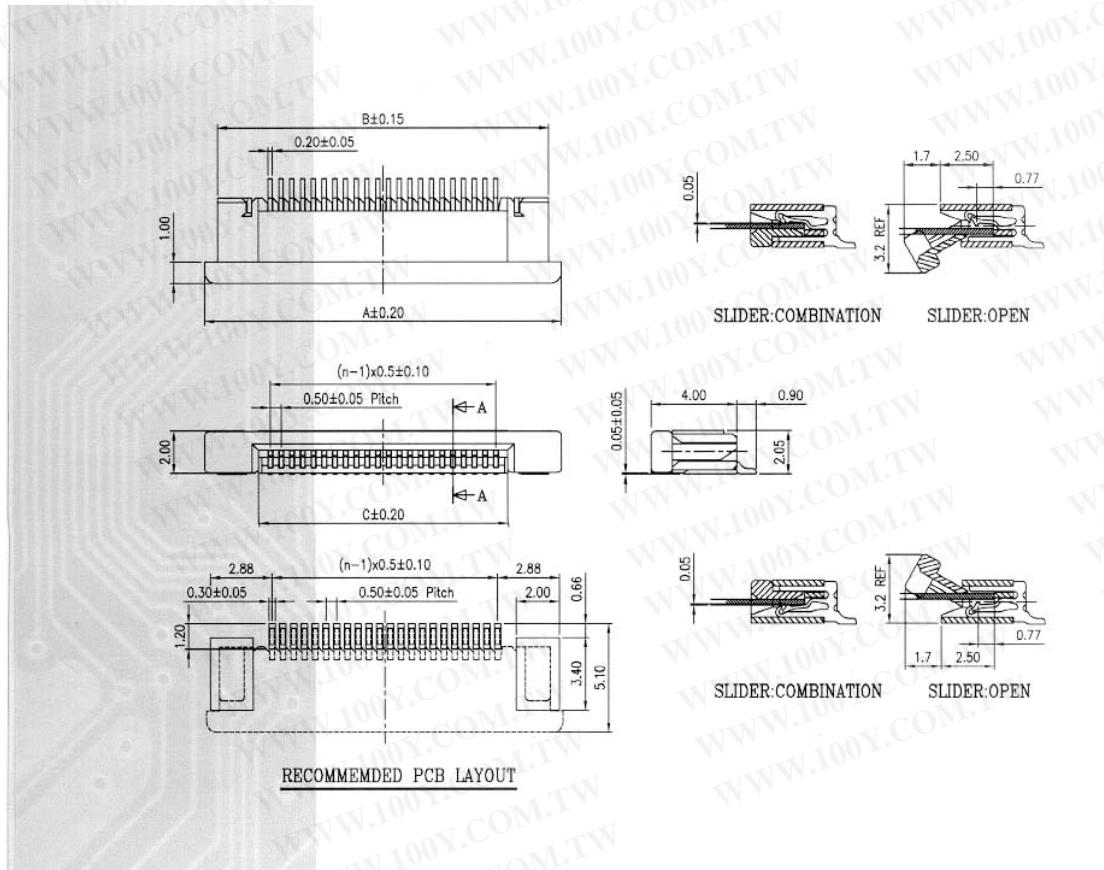
Mounting Tab: Tin/Lead over Nickel Palting.

SPECIFICATION:

Current Rating: 0.4A Max.

Voltage Rating: 50V Max.

Dielectric Withstanding Voltage: 200Volts AC.



No. of Contacts (N)	Dimensions		
	A	B	C
8	9.6	8.4	4.6

勝特力材料 886-3-5753170
勝特力电子(上海) 86-21-54151736
勝特力电子(深圳) 86-755-83298787
[Http://www.100y.com.tw](http://www.100y.com.tw)

9	10.1	8.9	5.1
10	10.6	9.4	5.6
11	11.1	9.9	6.1
12	11.6	10.4	6.6
13	12.1	10.9	7.1
14	12.6	11.4	7.6
15	13.1	11.9	8.1
16	13.6	12.4	8.6
17	14.1	12.9	9.1
18	14.6	13.4	9.6
19	15.1	13.9	10.1
20	15.6	14.4	10.6
21	16.1	14.9	11.1
22	16.6	15.4	11.6
23	17.1	15.9	12.1
24	17.6	16.4	12.6
25	18.1	16.9	13.1
26	18.6	17.4	13.6
27	19.1	17.9	14.1
28	19.6	18.4	14.6
29	20.1	18.9	15.1
30	20.6	19.4	15.6
31	21.1	19.9	16.1
32	21.6	20.4	16.6
33	22.1	20.9	17.1
34	22.6	21.4	17.6
35	23.1	21.9	18.1
36	23.6	22.4	18.6
37	24.1	22.9	19.1
38	24.6	23.4	19.6
39	25.1	23.9	20.1
40	25.6	24.4	20.6
41	26.1	24.9	21.1
42	26.6	25.4	21.6
43	27.1	25.9	22.1
44	27.6	26.4	22.6
45	28.1	26.9	23.1
46	28.6	27.4	23.6
47	29.1	27.9	24.1
48	29.6	28.4	24.6
49	30.1	28.9	25.1
50	30.6	29.4	25.6