

產品規格內容 (SPECIFICATION)

1.使用範圍 (Scope)

此份規格書是針對多媒體產品內，所使用的微型揚聲器單體所提出的報告。

This specification covers our product of miniature speaker unit for multimedia product.

2.标准测试条件(Test condition)

一般规格试验状态（特殊要求除外）：常温5~35℃，常湿45%~85%，气压860~1060hPa.

判定上有疑问时，试验状态为：温度20±2℃，相对湿度60%~70%，气压860~1060 hPa.

The test conditions unless otherwise specified should be normal temperature 5 to 35 ℃,Normal humidity 45 to 85% and normal atmospheric pressure 860 to 1060 hPa,However,if there arises a doubt in judgment,the test conditions shall be as follows:

Temperature 20±2℃

Humidity 60%~70%

Atmosphere 860~1060 hPa

3.電聲特性 (ELECTRO-ACOUSTIC CHARACTERISTICS)

3.1額定阻抗(Rated Impedance):

8Ω ± 20% (AT 1.6K Hz ,1.0 Vrms)

3.2額定輸入功率(Rated Input Power)

1.0 Watt (At 2.83 Vrms white noise 96 Hours)

3.3最大輸入功率(Max. Input Power)

2.0 Watt

3.4最低共振頻率(Resonant Frequency)

800 Hz ± 30%

3.5輸出音壓(Output S.P.L)

93 ± 3dB (1.0 Watt , 0.1 Meter. Average at 1.0K,1.2K,1.5K,2.0K Hz)

3.6實效頻率範圍(Frequency Range)

Fo ~ 10KHz (By Output S.P.L. -10dB)

3.7失真率(Distortion)

Less than 5% (At 1.6KHz ,2.0 Vrms)

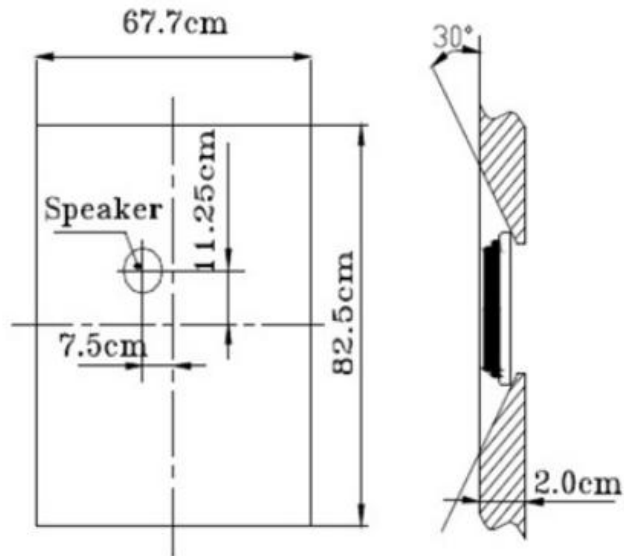
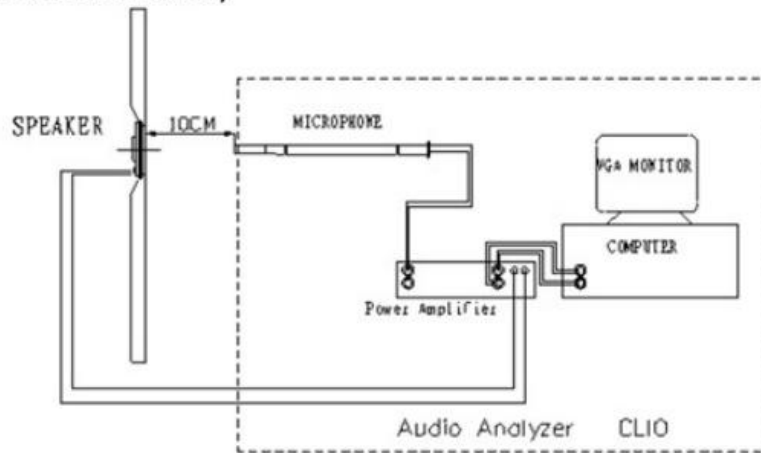
3.8工作溫度(Operating Temperature)

-25℃ ~ +50℃

3.9儲存溫度(Storage temperature)

-25℃ ~ +55℃

5. 測量方式 (Measurement Method)



8. 喇叭外觀描述

(Unit:mm tolerance:±0.3)

