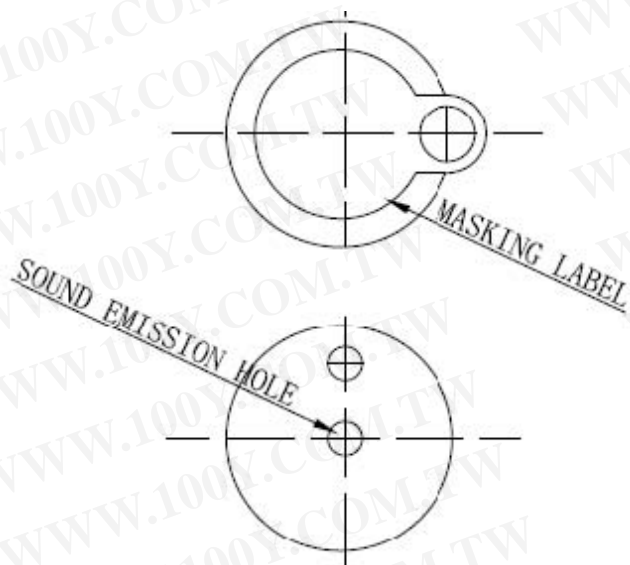
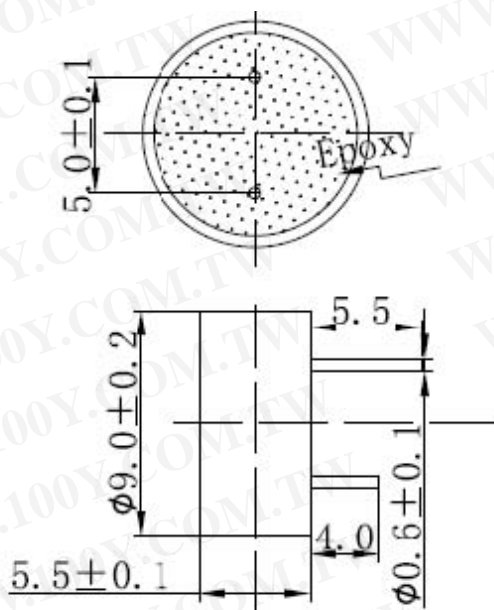
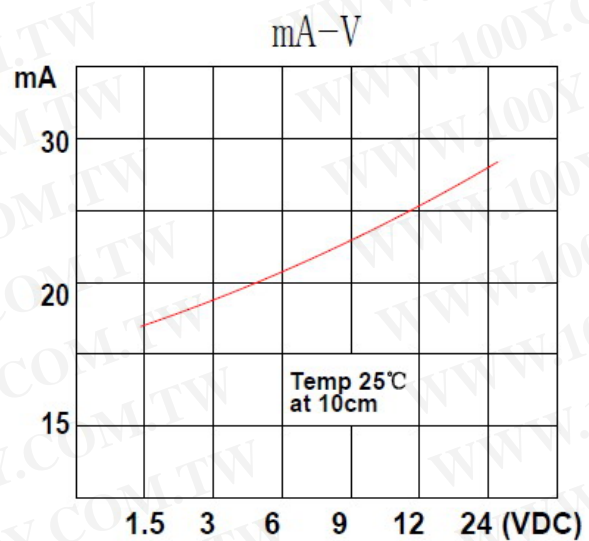
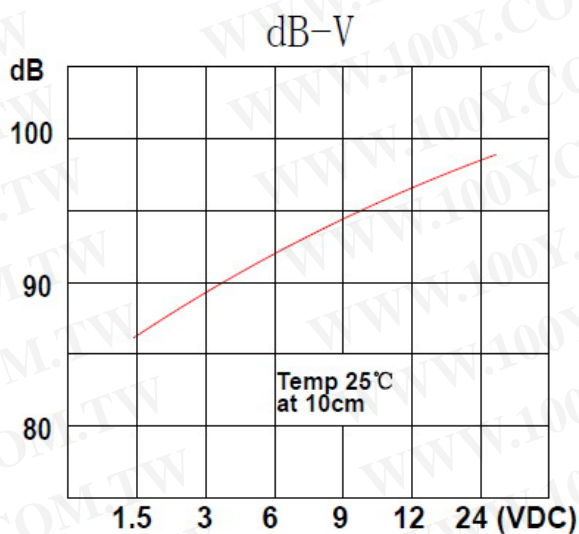


HS-0955-3V 電磁式蜂鳴器 (自激式)

Rated Voltage(VDC)	3
Operating Voltage(VDC)	2 ~ 5
CurrentConsumption Max (mA)	30
SPL Min. (dB) at 10cm	80
Resonant Frequency(Hz)	2700±300
Operating Temperature(°C)	-20~+70
Storage Temperature(°C)	-30~+80
Tone	Continuous Sound
Material	PPO



勝特力材料 886-3-5753170
 勝特力电子(上海) 86-21-34970699
 勝特力电子(深圳) 86-755-83298787
[Http://www.100y.com.tw](http://www.100y.com.tw)

Model NO.		
Rated voltage	(V)	3.0
Oscillation Frequency	(KHz)	2.3±0.3
Sound Pressure Level at 10cm	(dB)	min. 82
Rate Current	(mA)	max. 30
Coil resistance	(Ω)	
Coil Impedance	(Ω)	
Operating Voltage	(Vdc)	2.0~5.0
Operating Temperature	(°C)	-20to~+70
Storage Temperature	(°C)	-30to~+80
Weight	(g)	2.0

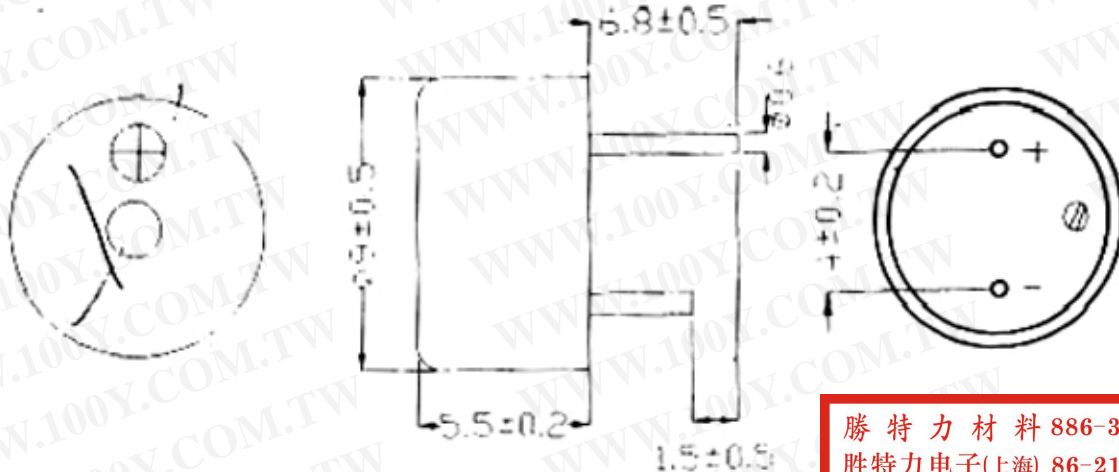
Resonant frequency, 1/2 duty, square wave

Signal amplitude should be large enough to saturate the Transistor which drives the transducer

Fig.1:

4887

DIMENSIONS Unit: mm Tolerance:±0.5



勝特力材料 886-3-5753170
 勝特力电子(上海) 86-21-34970699
 勝特力电子(深圳) 86-755-83298787
[Http://www.100y.com.tw](http://www.100y.com.tw)