

# EMC(日規)單相電源雜訊抑制濾波器(單 $\pi$ 迴路)

## EMC –Power Line Filter for 1-phase systems (one-stage)

HUA Series, all-purpose filters to Protection Class I.

0~250VAC 50/60HZ  $\theta_a$  40°C EN55011/CLASS A

CE

CONFORMS  
 TO IEC 60 950  
 UL 1283  
 EN 133200

The D1 series power filter directly installed on the printed circuit board. Is usually used to prevent the voltage from the power to interfere, but at the same time, the possible sources of interference jamming equipment has also been weakened. They must be installed on the equipment as close as possible to the power input, and the metal shell provides a good electromagnetic shield. Surge voltage suppression effect is used very well.

本 D1 系列電源濾波器直接安裝在印刷電路板。通常是用來防止從電源來的電壓干擾，但在同一時間，可能產生干擾設備的干擾源也被減弱。他們必須安裝在設備盡可能接近電源輸入端，而且金屬外殼提供了一個良好的電磁屏蔽，用於突波電壓抑制效果非常良好。



### Specification

Test Voltage (1 min) :L to E 1500VAC/2250VDC

L to L 1500VDC

Insulation Resistance : L to E  $\geq 3000M\Omega$

L to L  $\geq 2000M\Omega$

Current reduction above 40°C

ambient temperature:  $I = I_n \sqrt{(85-\theta)/45}$   $\theta$  = operating temperature

TYPE	In @ $\delta a 40^\circ C$ [ A ]	Umax 50/60Hz [ v ]	Overload Current [ 1 min. per hour ]	Resistance L-L' $\pm 15\%$ [ m $\Omega$ ]	Power Dissipation total $\pm 15\%$ [ W ]	Max. leakage current @250v/60hz [ mA ]	Temperature Rise °C	Temperature Range °C
HUA-9010-D103- □	3	0~250	1.5×In	100	24	≤ 5	≤ 30	-25~+85
HUA-9010-D106- □	6			100	23		≤ 30	-25~+85
HUA-9010-D110- □	10			100	14.2		≤ 30	-25~+85
HUA-9010-D120- □	20			100	5.8		≤ 30	-25~+85
HUA-9010-D130- S	30		1.2×In	100	4.8		≤ 30	-25~+85

## Order Types (訂購型號說明)

型號:HUA - 9010-D1□- □

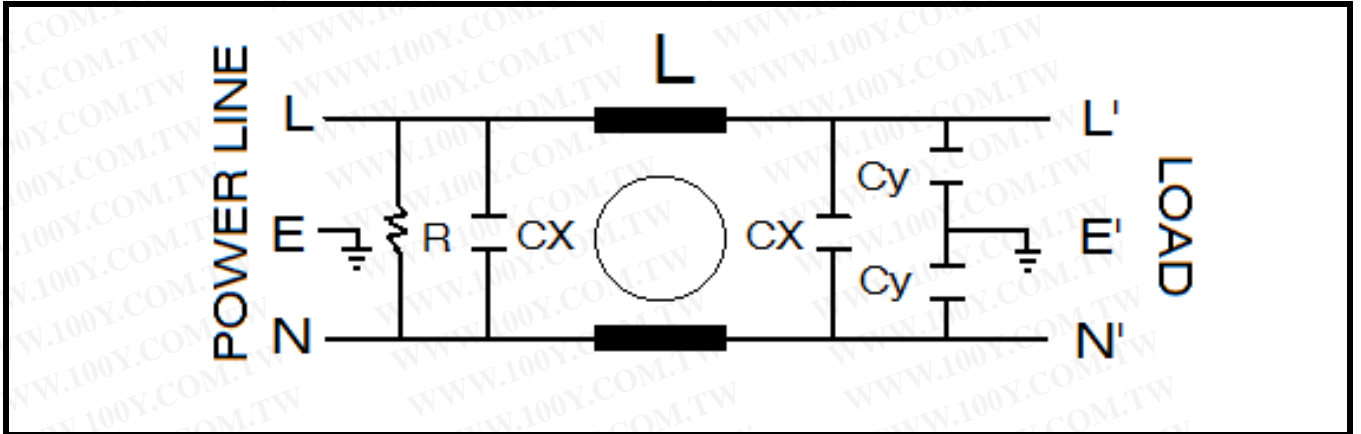
表示外殼形式

03: 表示 3A 額定電流

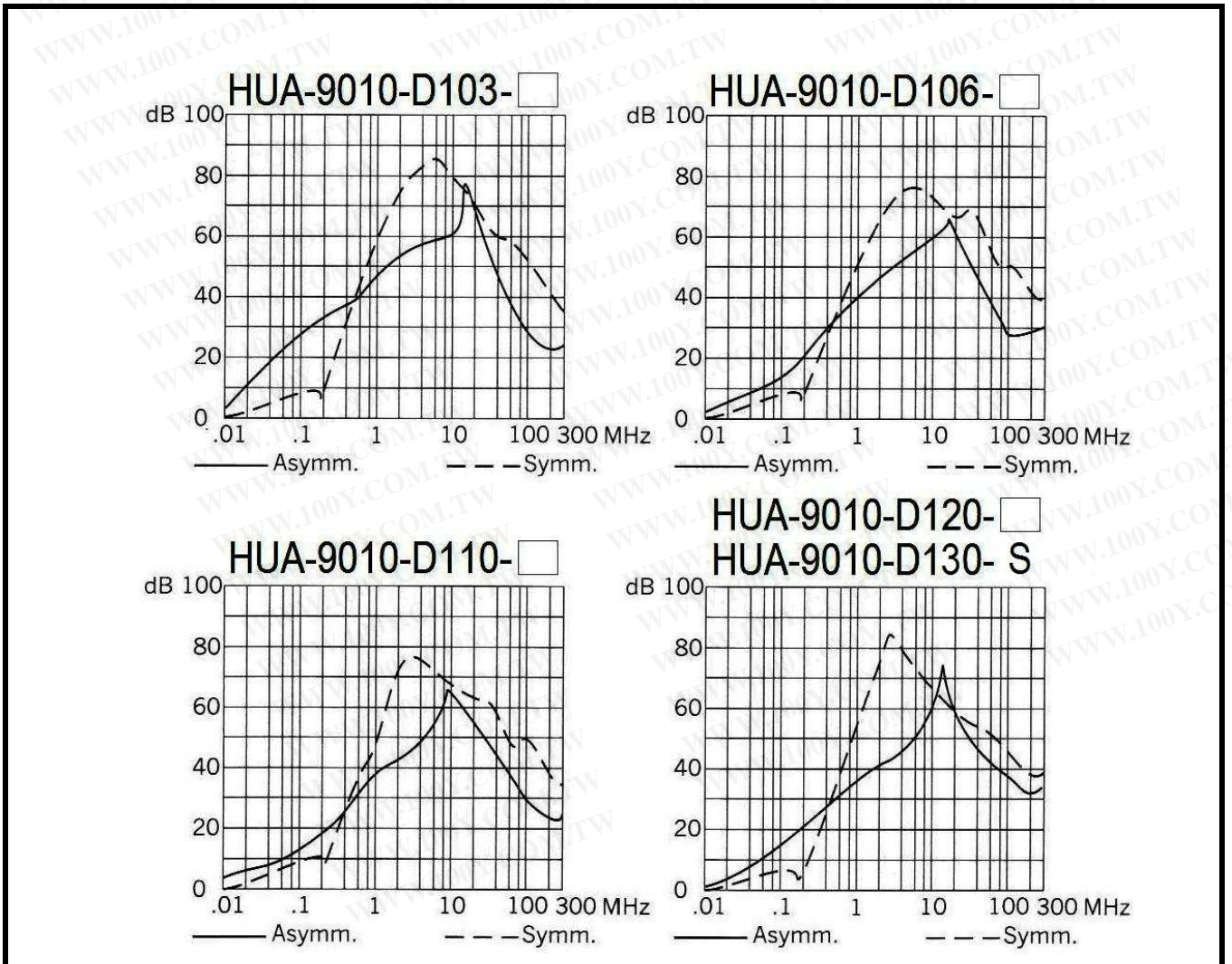
10: 表示 10A 額定電流

30: 表示 30A 額定電流

## Circuit Diagram(電路圖)

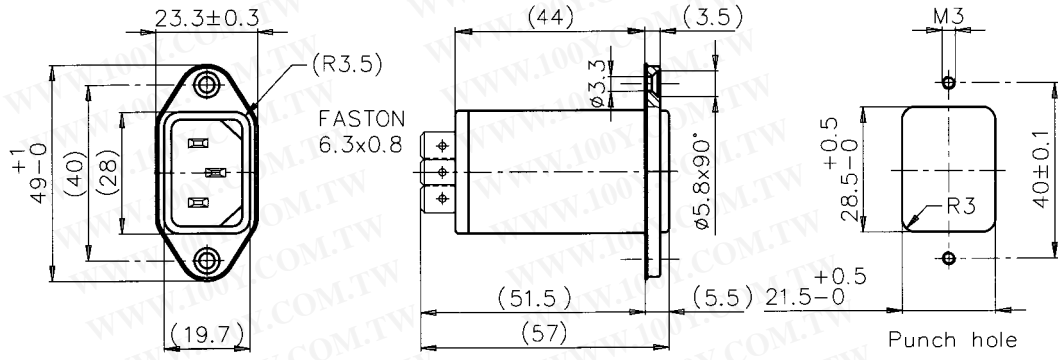


## Insertion loss (衰減值)

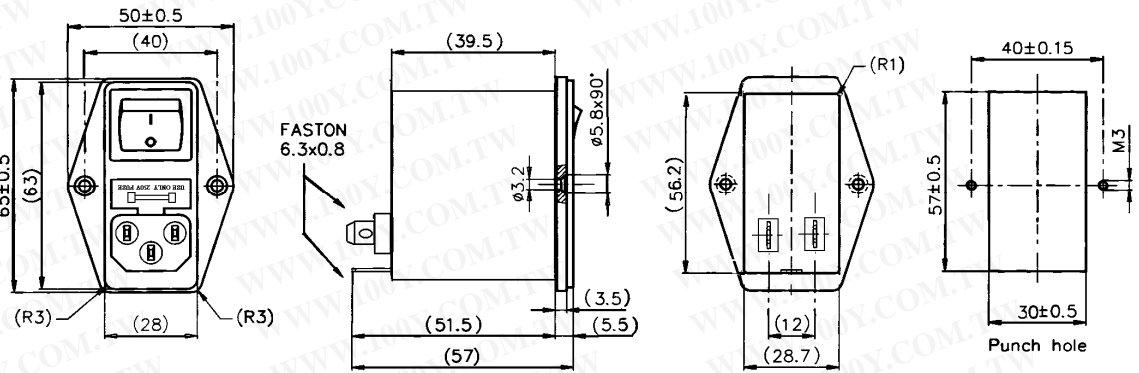


# Dimension(mm) 外殼形式

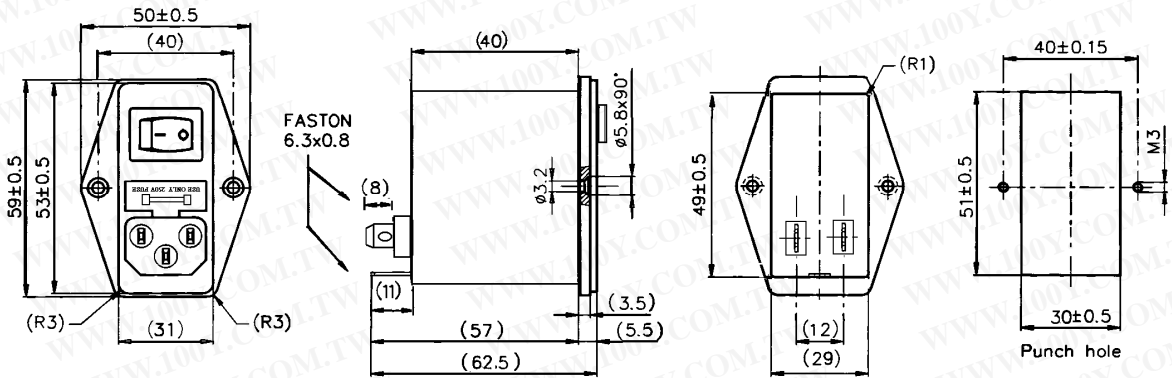
## T1D



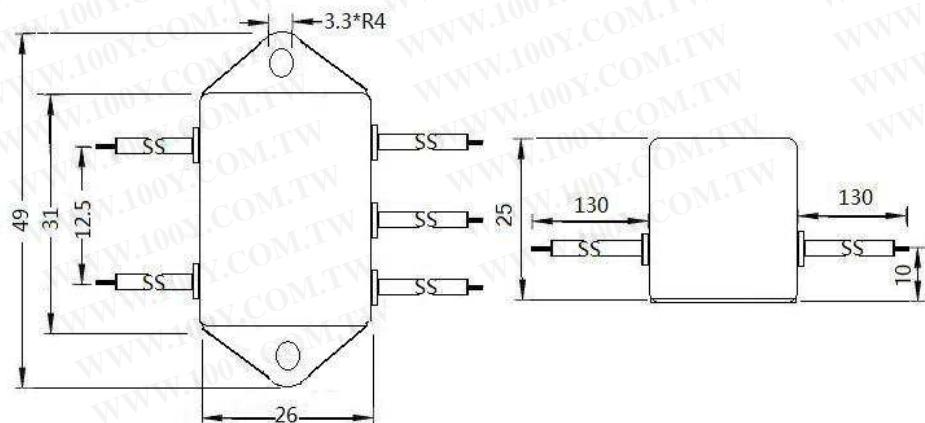
## SFP



## SFP-A

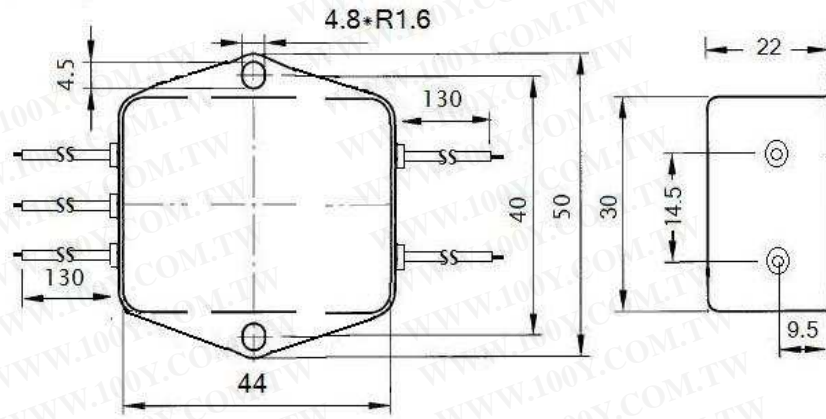


## LB1

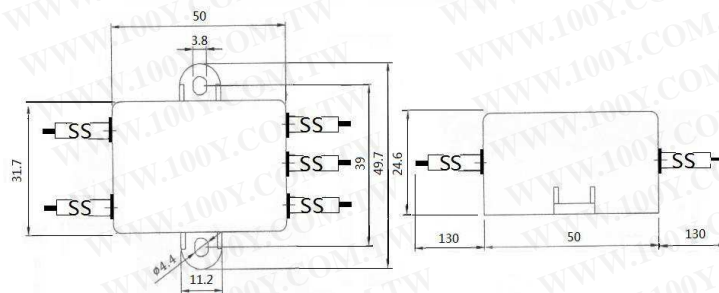




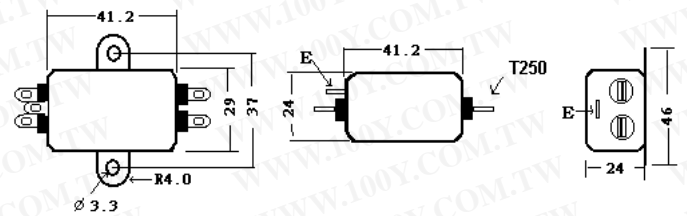
# LB2



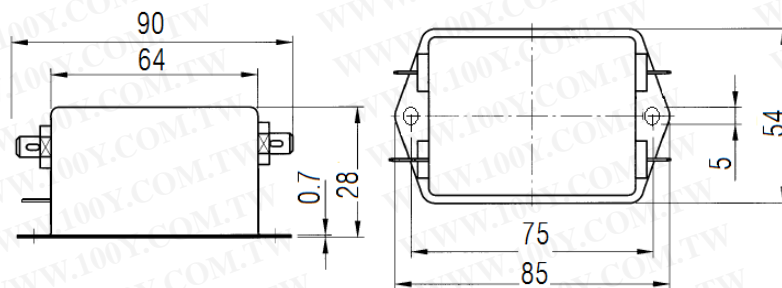
# LE



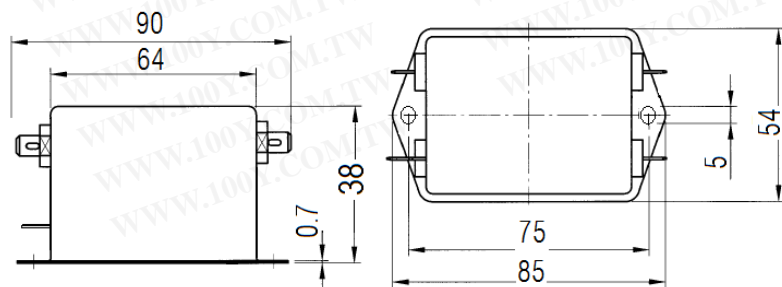
# T4



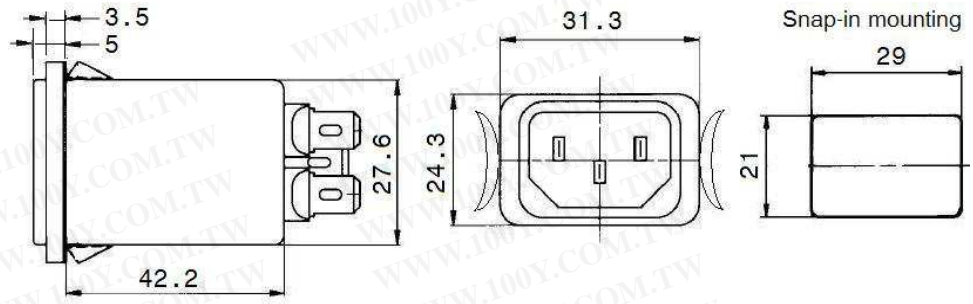
# T



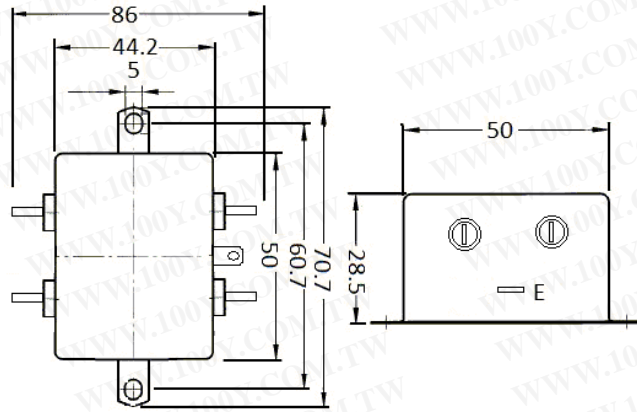
# T-H



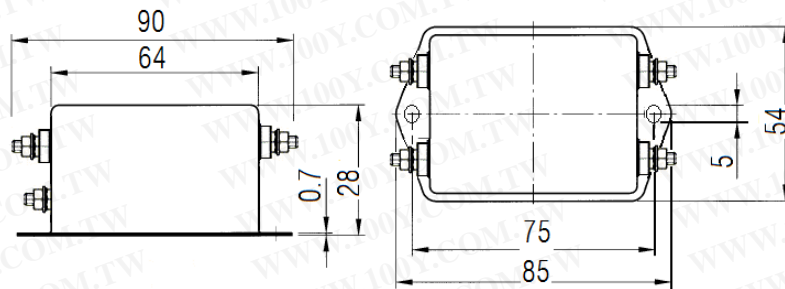
TC



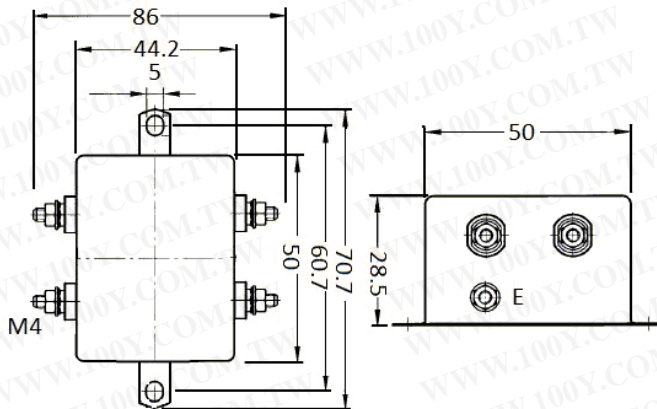
TC1



S



SC1



勝特力材料 886-3-5753170  
勝特力电子(上海) 86-21-34970699  
勝特力电子(深圳) 86-755-83298787  
[Http://www.100y.com.tw](http://www.100y.com.tw)