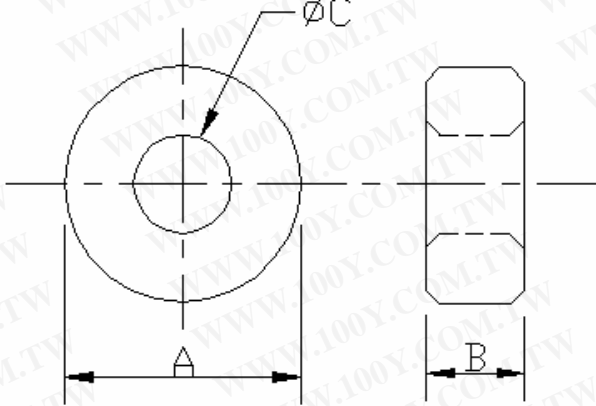
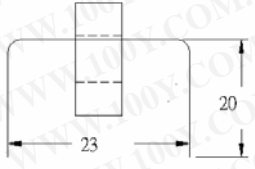


SPECIFICATION FOR APPROVAL

CUSTOMER:		CUST.P/N:
ORDERING CODE:	A5 T 17.5x7x9.5	K.C.P/N: PX1702CA
(1) SHAPE : 	A	17.5±0.4 mm
	B	7.0±0.3 mm
	C	9.5±0.3 mm
	D	mm
	E	mm
	F	mm
	G	mm
(2) ELECTRICAL REQUIREMENTS: $Z_1 = 15 \text{ min OHM AT } 25 \text{ MHz}$ $Z_2 = 35 \text{ min OHM AT } 100 \text{ MHz}$	(3) TEST CONDITIONS: 1. IMPEDANCE ANALYZER HP4191A TEST FIXTURE: HP16092A 2. WIRE: $\Phi 0.65 \text{ T.C.W} * 63 \text{ mm } 1/2 \text{ Ts}$ 3. DRAWING: 	
(4) PACKING <input checked="" type="checkbox"/> IN BULK <input type="checkbox"/> VACUUM <input type="checkbox"/> INSERTION 200 PCS/BAG* 3 BAGS/INNER BOX 4 BOXES/CARTON = 2400 PCS PCS/PLATE* PLATES/CARTON= PCS PCS/TRAY* TRAYS/CARTON= PCS	(5) APPEARANCE (1) AREA OF BREAK : < 3 mm ² (2) SUM OF BREAKING AREA : < 4 mm ² (3) DEPTH OF BREAK : < 1 mm	
(6) REMARK: <div style="border: 2px solid red; padding: 5px; color: red;"> 勝特力材料 886-3-5753170 勝特力电子(上海) 86-21-54151736 勝特力电子(深圳) 86-755-83298787 Http://www.100y.com.tw </div>	Approved by 吳炳熱 Checked by 吳明珠 Drawn by 許雅雨 2009/10/26 DWG.NO.	

TEST DATA FOR PREPRODUCTION SAMPLES

CUSTOMER				CUST. P/N		
ORDERING CODE	A5 T 17.5x7x9.5			K.C. P/N	PX1702CA	
TEMP.	24 °C	RH	69 %	DWG.NO.		
WIRE	0.65x63mm T.C.W	WINDING	1/2 Ts	Q'TY	5PCS	
Test Instruments						
Meas. Item.	Z (OHM)	Z (OHM)	A mm	B mm	C mm	
Spec./ Yours.						
Spec./Suggest.	15 min	35 min	17.5±0.4	7.0±0.3	9.5±0.3	
Test Freq.	25 MHZ	100 MHZ				
1	31	54	17.74	7.02	9.72	
2	32	55	17.72	7.06	9.70	
3	32	54	17.72	7.06	9.68	
4	31	53	17.72	7.06	9.62	
5	32	53	17.68	7.04	9.70	
6						
7						
8						
9						
10						
\bar{X}	31.6	53.8	17.716	7.048	9.684	
R	1	2	0.06	0.04	0.10	
Your Sample.						
REMARK:				Approved by: 吳炳熱		
勝特力材料 886-3-5753170 勝特力电子(上海) 86-21-54151736 勝特力电子(深圳) 86-755-83298787 Http://www.100y.com.tw				Checked by: 吳明珠		
				Drawn by: 許雅南		
				2009/10/26		

勝特力材料 886-3-5753170
勝特力电子(上海) 86-21-54151736
勝特力电子(深圳) 86-755-83298787
[Http://www.100y.com.tw](http://www.100y.com.tw)

A5 T 17.5x7x9.5

