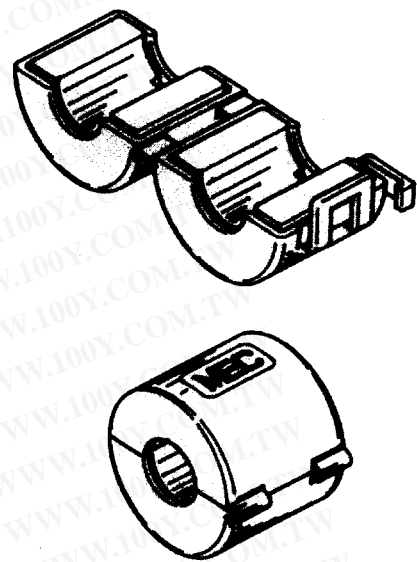
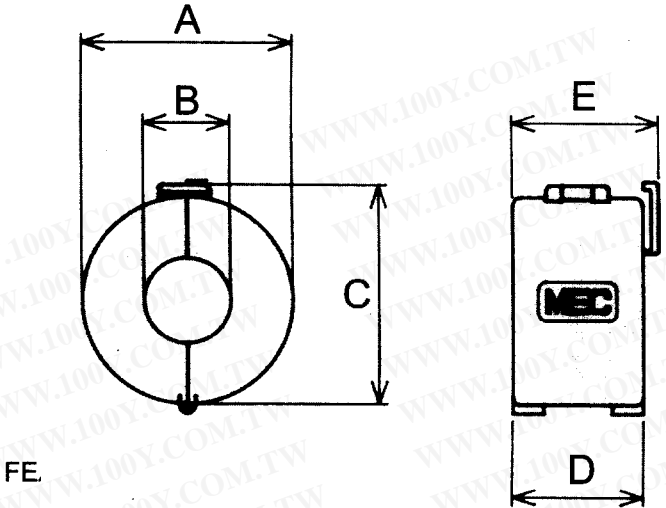


# FERRITES SPLIT TOROIDAL CORES WITH PLASTIC CASE (MTFC)



1) As a precaution against and for evaluation of EMI, cut through the thin connecting section (ribbed structure) as shown in Fig.1 using a sharp knife, leaving the hinge portion attached. Once released, it can be opened and closed as required using one hand, allowing the insertion loss of the core to be easily checked using a spectrum analyzer. (For mass production the conventional one-touch attachment can be used).

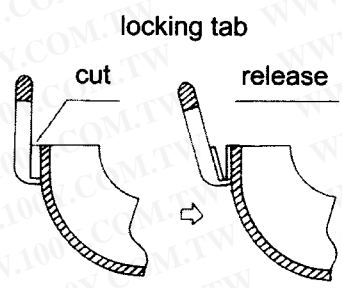


Figure 1

2) When fixing a harness or cable bundle to the core, or to eliminate the slackness in a wound harness, use the cable tie as shown in Fig.2 to hold the arm. One cable tie will suffice to hold the wires effectively, regardless of the diameter of the cable bundle.

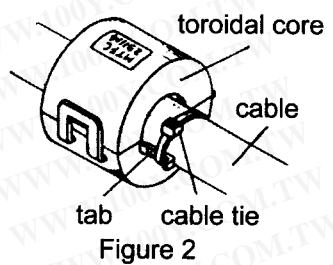


Figure 2

3) Not only can impedance be increased but the peak frequency band of the impedance shifted by means of a single turn (merely by passing the cable through the core) where the frequency band selected for noise prevention is high. Where a low frequency band is used, control can be effected by measuring the number of turns. See Fig.3.

Relation between turn number and imp. Vs (This graph shows one turn to five turns from the bottom)

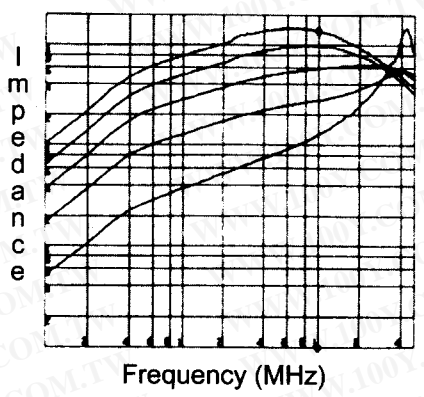


Figure 3

4) Where there is a requirement for fixing to equipment a combination of various types of fasteners may be used.

PLASTIC CASE MATERIAL : PA66 (NYLON) 94V-0

APPLICATIONS: As protection against unwanted radiation in digital equipment such as personal computers, word processors, fax machine, display equipment, photocopiers, computer games etc., and to ensure the immunity of such equipment (for CE marking etc.).

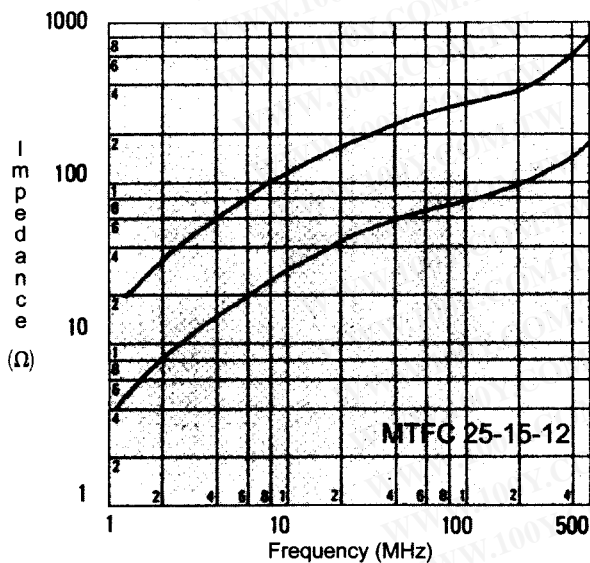
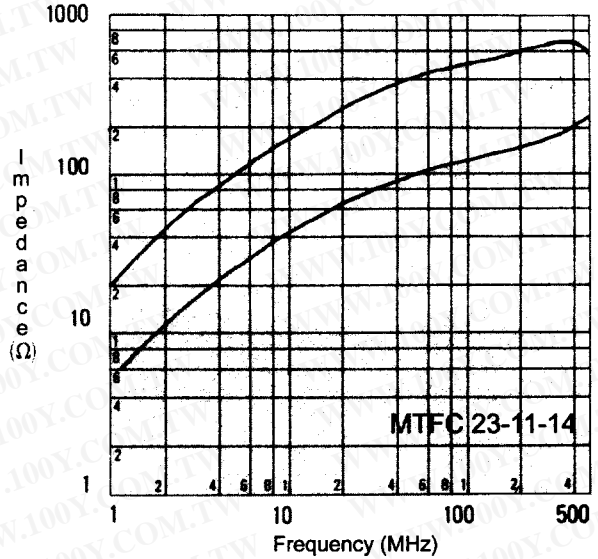
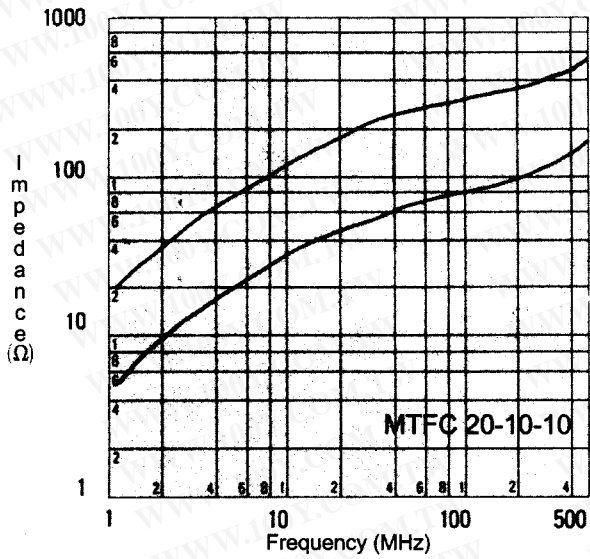
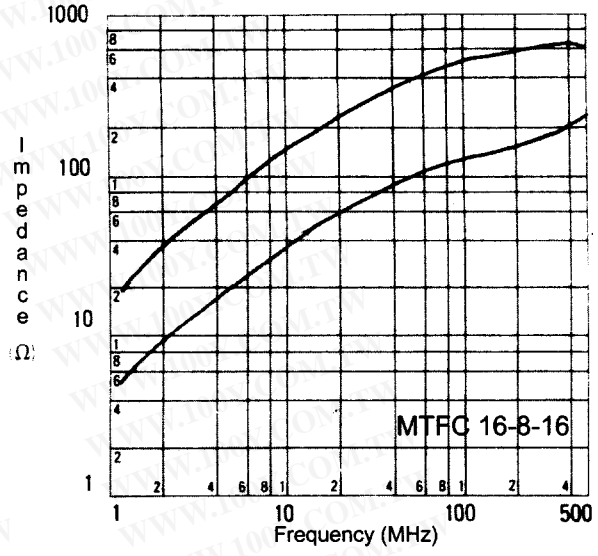
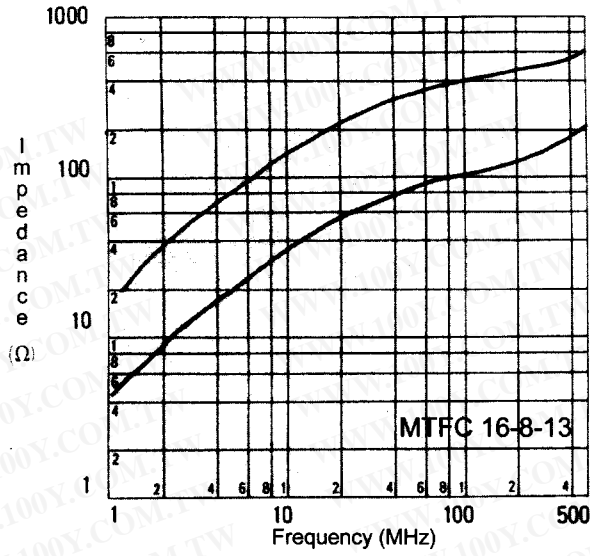
Dimensions in mm

Part number	Dimensions					Impedance 1 Turn		Impedance 2 Turns		Cable Diameter up to
	A	B	C	D	E	25 MHz	100 MHz	25 MHz	100 MHz	
MTFC 16-8-13	19.2	7.6	20.7	15.6	17.6	62	106	245	404	7.2
MTFC 16-8-16	19.2	7.6	20.7	18.6	20.6	70	127	278	507	7.2
MTFC 20-10-10	23.3	9.8	24.8	12.7	14.7	51	82	199	324	8.5
MTFC 23-11-14	26.6	10.9	28.1	16.6	18.6	72	121	293	495	10.5
MTFC 25-15-12	27.8	14.5	29.3	14.5	16.5	46	78	184	308	13.0

勝特力材料 886-3-5753170  
 勝特力电子(上海) 86-21-34970699  
 勝特力电子(深圳) 86-755-83298787  
[Http://www.100y.com.tw](http://www.100y.com.tw)

# FERRITES

## SPLIT TOROIDAL CORES WITH PLASTIC CASE (MTFC)



勝特力材料 886-3-5753170  
 勝特力电子(上海) 86-21-34970699  
 勝特力电子(深圳) 86-755-83298787  
[Http://www.100y.com.tw](http://www.100y.com.tw)