



# 1. Specifications & Dimension

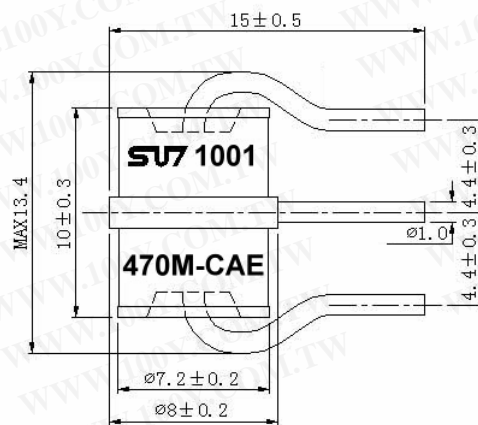
## 1.1. Parts No.:

**ARR-MM470M-CAE**

## 1.2. Specifications:

- DC Breakdown Voltage:  $470V \pm 20\%$  (@rising voltage 100V/s)
- Surge Breakdown Voltage:  $\leq 1000V$  (@rising voltage 1000V/ $\mu$ s)
- Life Tests:
  - AC Discharge Current: 10A (5 times, 1s per time with 3mins interval)
  - Surge Discharge Current:
    - 100A (10/1000 $\mu$ s, 300times with 3mins interval)
    - 10kA (8/20 $\mu$ s, 10times with 3mins interval)
- Insulation Resistance:  $\geq 10000M\Omega$
- Electrode Capacitance:  $\leq 1.5$  pF (@1MHz)

## 1.3. Dimension: (unit:mm)



勝特力材料 886-3-5753170  
勝特力电子(上海) 86-21-34970699  
勝特力电子(深圳) 86-755-83298787  
[Http://www.100y.com.tw](http://www.100y.com.tw)