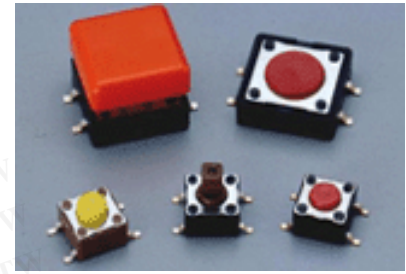


**ADTS6, ADTSM &  
AKTSC6 SERIES  
(SQUARE STEM WITH CAP OPTIONS)  
MECHANICAL CONTACT STYLE**



**FEATURES**

- Positive tactile feedback.
- Ultraminiature structure suitable for high density mounting. Economic but high reliability.
- Insert molded terminals prevent flux build-up during soldering.

勝特力材料 886-3-5753170  
 勝特力电子(上海) 86-21-34970699  
 勝特力电子(深圳) 86-755-83298787  
[Http://www.100y.com.tw](http://www.100y.com.tw)

**MATERIALS**

**COVER:** Stainless steel.  
**BASE:** UL94V-0 Nylon Thermoplastic.  
 Color: Black  
**STEM:** UL94V-0 Nylon Thermoplastic.  
 Color: Black(100gf), Brown(160gf), Red(260gf), Salmon(320gf), Yellow(520gf)  
 Silicone rubber Color: Red(300gf)  
**CONTACT DISC:** Phosphor bronze with silver cladding.  
**TERMINAL:** Brass with silver plating.  
**CAP:** Termoplastic ABS.

**GENERAL SPECIFICATIONS**

**ELECTRICALS**

**Electrical life:** 100,000 cycles for 320gf, 520gf.  
 100,000 cycles for 260gf.  
 200,000 cycles for 100gf, 160gf.  
**Rating:** 50 mA, 12 VDC.  
**Contact resistance:** 100 milliohms max.  
**Insulation resistance:** 100 megohms min. 500 VDC.  
**Dielectric Strength:** 250 VAC /1 minute.  
**Contact Arrangement:** 1 pole 1 throw.

**MECHANICALS**

**Operational Force:** 520 ± 130gf Brown (Y)  
 320 ± 80gf Brown (S)  
 260 ± 50gf Red (R)  
 160 ± 50gf Brown (N)  
 100 ± 50gf Black (K)

**Stop Strength:** Max 3kgf vertical static load continuously for 15 seconds.

**Stoke:** (12x12) 0.35 ± 0.1 mm  
 (6x6) 0.25 + 0.2 mm  
 - 0.1 mm

**Operating Temperature Range:** -25°C to + 70°C  
**Storage Temperature Range:** -30°C to + 80°C  
**Vibration resistance:** MIL-STD-202F METHOD 201A.  
 Frequency: 10-55-10Hz/1 minute.  
 Directions: X,Y,Z, three mutually perpendicular directions.  
 Time: 2 hours each direction.  
 High reliability.

**Shock resistance:** MIL-STD-202F METHOD 213B.  
 Frequency: 10-55-10Hz/1 minute.  
 Directions: X,Y,Z, three mutually perpendicular directions.  
 Time: 2 hours each direction.  
 High reliability.

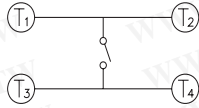
SPECIFICATIONS SUBJECT TO CHANGE WITHOUT NOTICE.

## SOLDERING PROCESSES

WAVE SOLDERING: Recommended solder temperature at 500°F (260°C) max. 5 seconds subject to PCB 1.6mm thickness. (For through hole type)

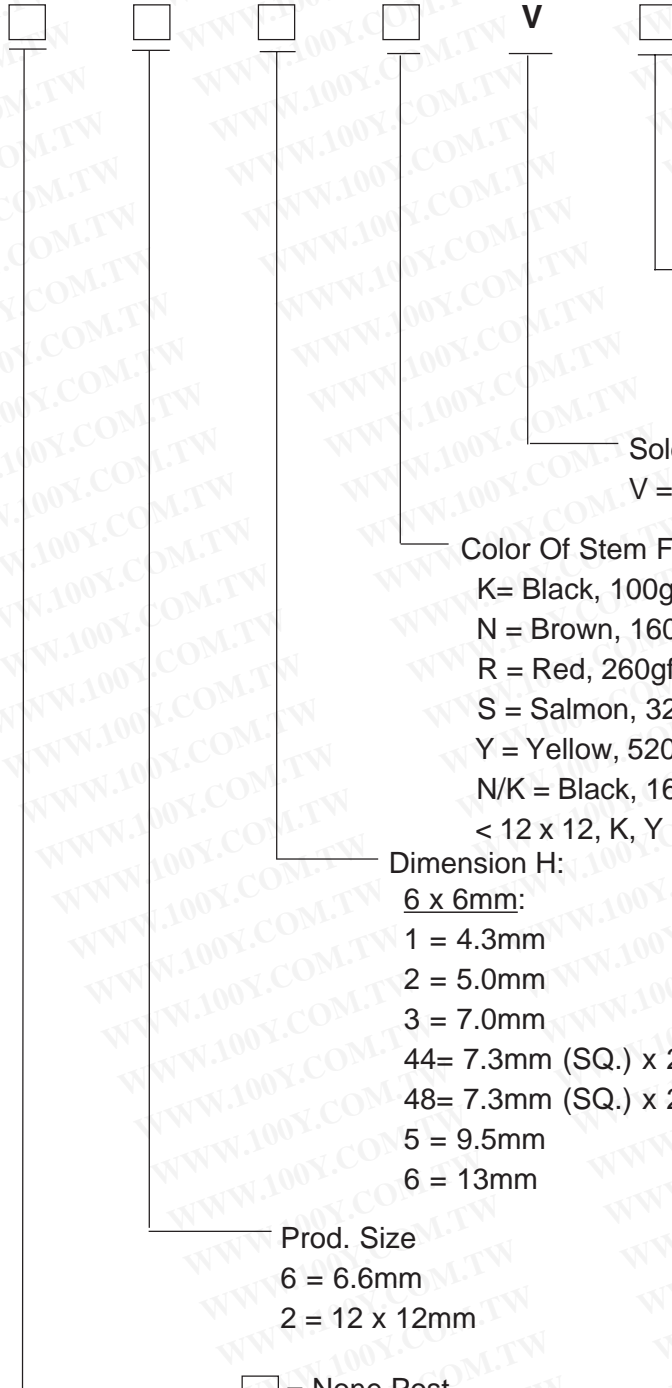
HAND SOLDERING: Use a soldering iron of 30 watts, controlled at 350°C approximately 5 seconds while applying solder.

## CIRCUIT



## HOW TO ORDER

ADTS



V

Package Style:

= Bulk Pack

\* B = Tube

\* Except ADTS-63, 644, 648, 65, 66

Soldering:

V = Lead Free

Color Of Stem For Operating Force:

K= Black, 100gf

N = Brown, 160gf

R = Red, 260gf

S = Salmon, 320gf

Y = Yellow, 520gf

N/K = Black, 160gf

< 12 x 12, K, Y Unavailable >

Dimension H:

6 x 6mm:

1 = 4.3mm

2 = 5.0mm

3 = 7.0mm

44= 7.3mm (SQ.) x 2.4mm

48= 7.3mm (SQ.) x 2.8mm

5 = 9.5mm

6 = 13mm

12 x 12mm:

1 = 4.3mm

4 = 7.3mm (SQ.) x 3.8mm

5 = 8.5mm

Prod. Size

6 = 6.6mm

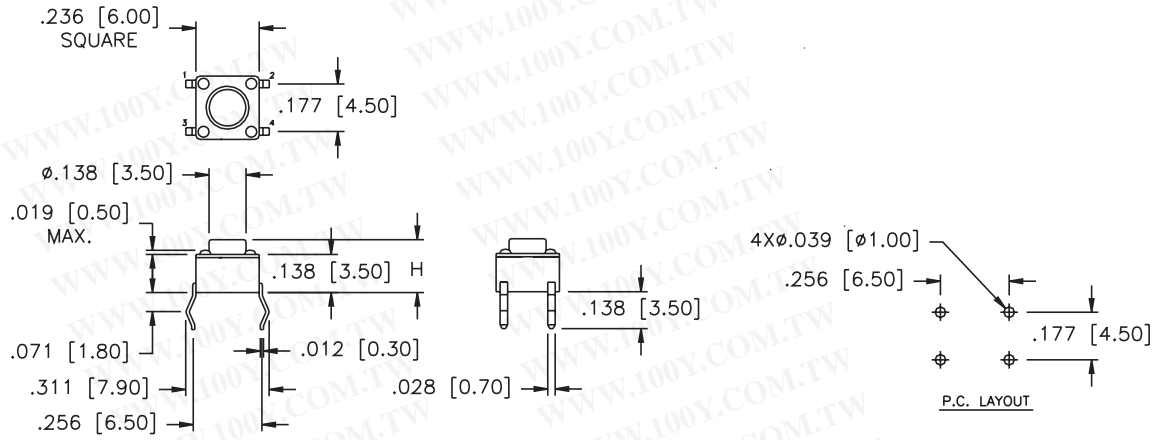
2 = 12 x 12mm

= None Post

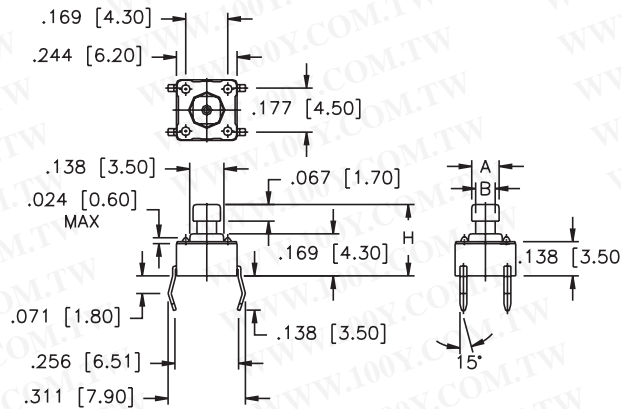
M = Surface Mount

SPECIFICATIONS SUBJECT TO CHANGE WITHOUT NOTICE.

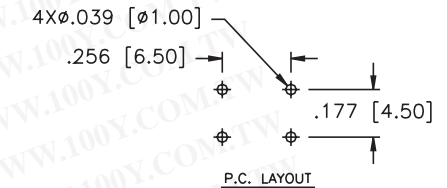
**ADTS6\*\*V**



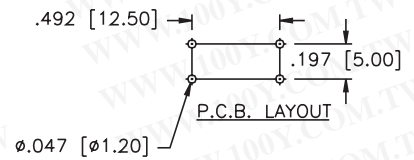
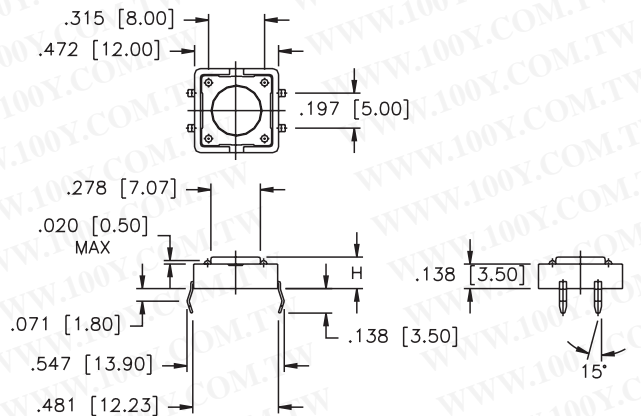
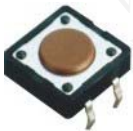
**ADTS64\*\*V**



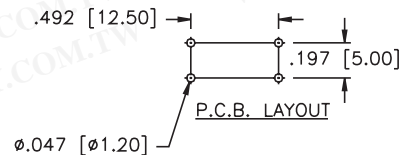
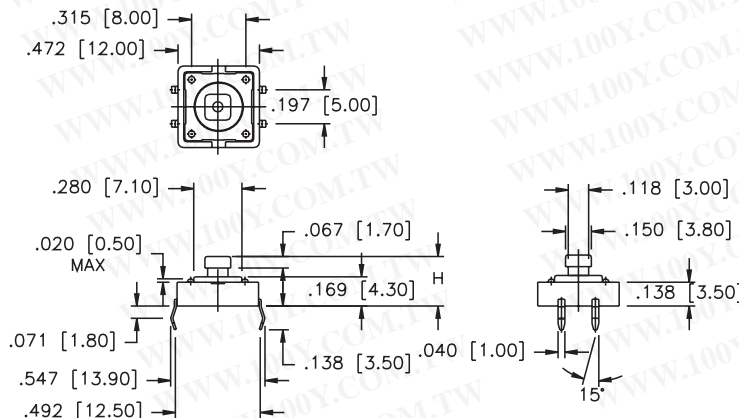
PRODUCT NO.	LOC.	MM.	INCH
<b>ADTS644*V</b>	A	2.4	[.095]
	B	1.6	[.063]
<b>ADTS648*V</b>	A	2.8	[.110]
	B	2.0	[.079]

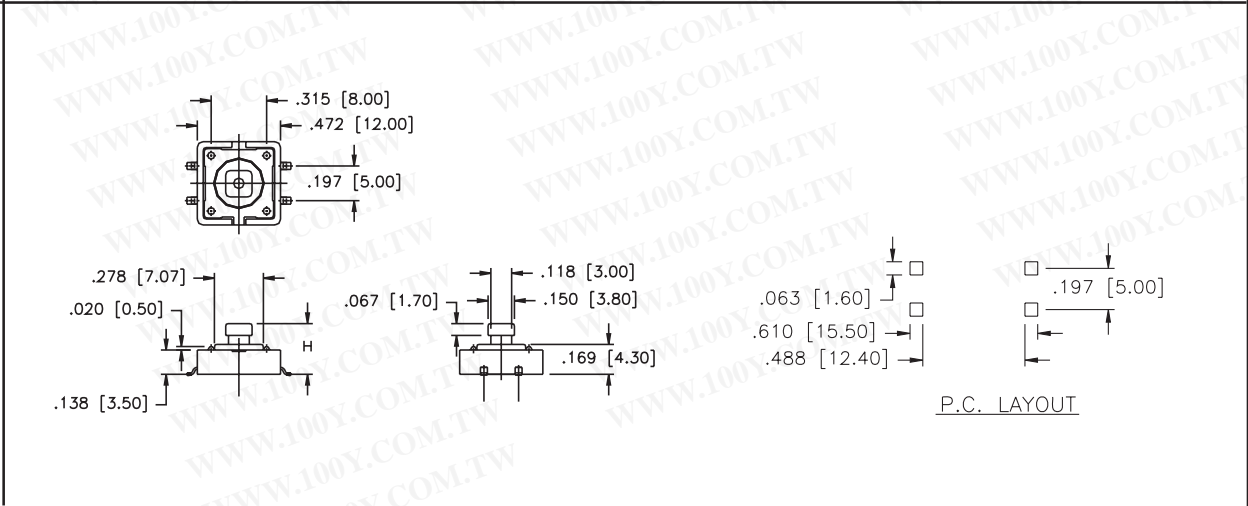
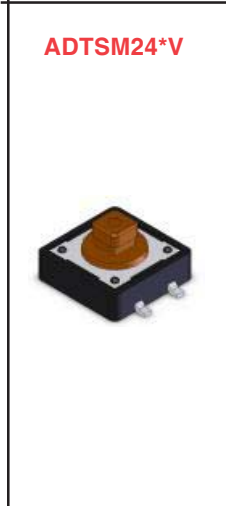
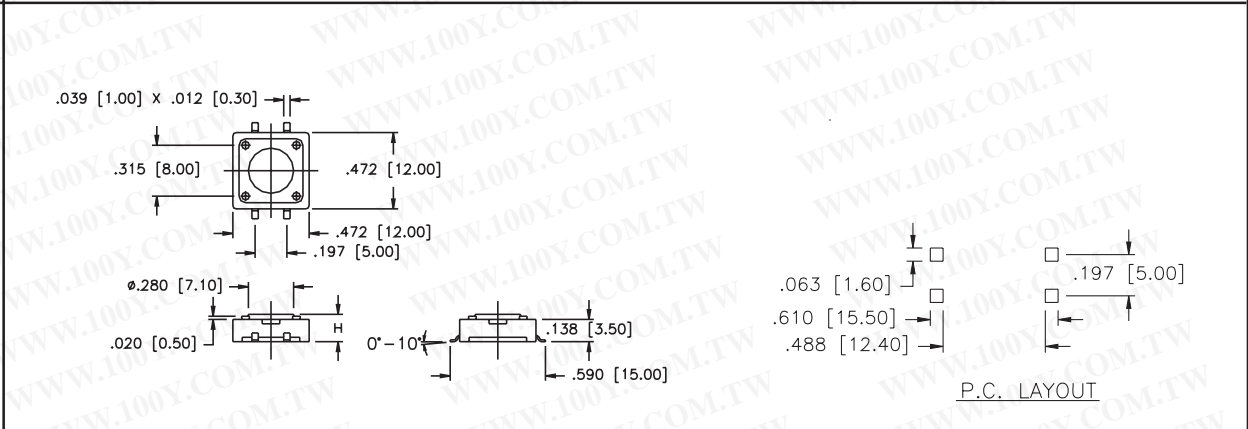
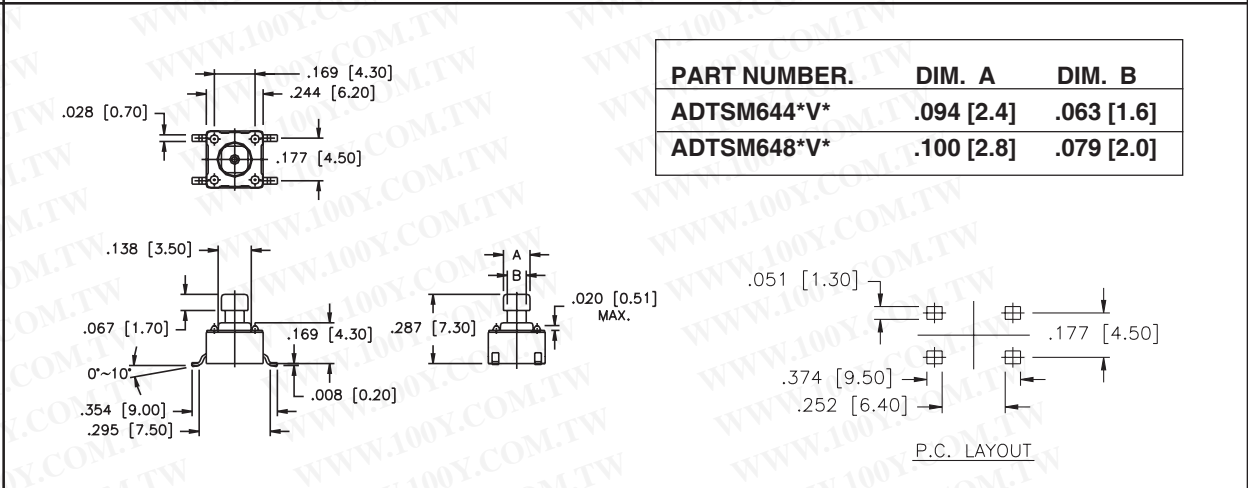
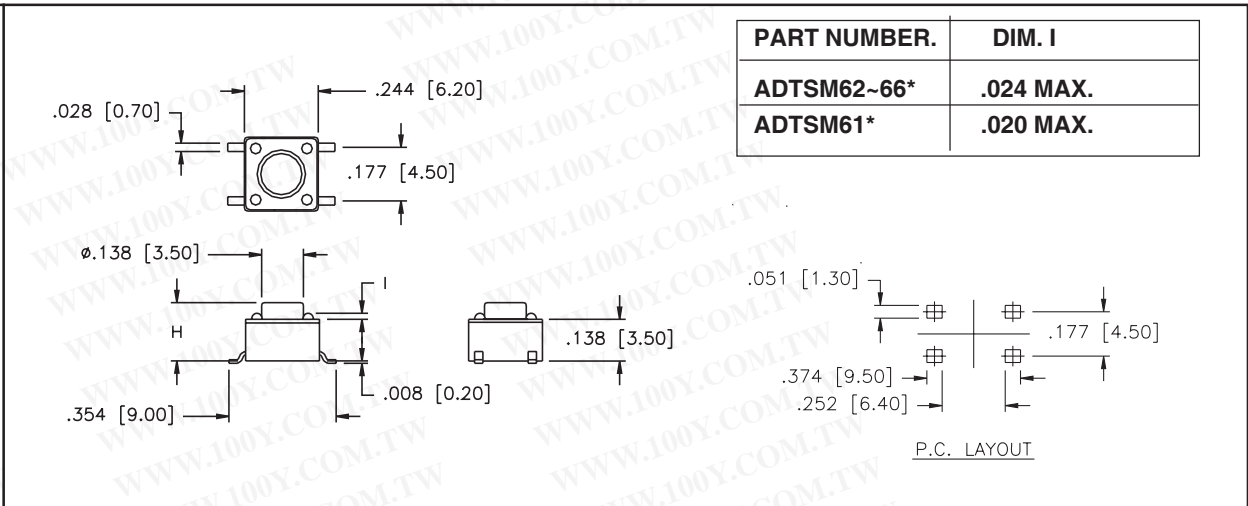


**ADTS2\*\*V**



**ADTS24\*V**





# AKTSC CAPS

勝特力材料 886-3-5753170  
 勝特力电子(上海) 86-21-34970699  
 勝特力电子(深圳) 86-755-83298787  
[Http://www.100y.com.tw](http://www.100y.com.tw)



## CAP PART NO.

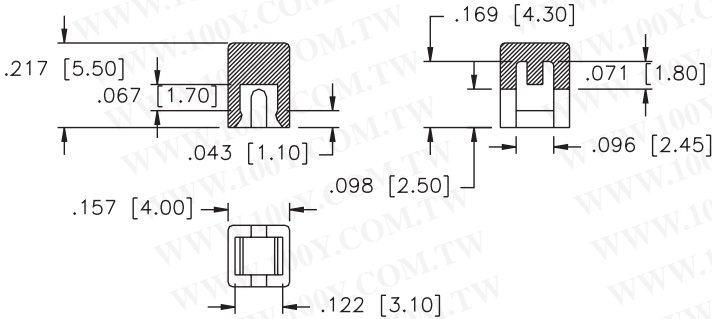
AKTSC         

Cap Type:  
 1 = Square  
 2 = Round

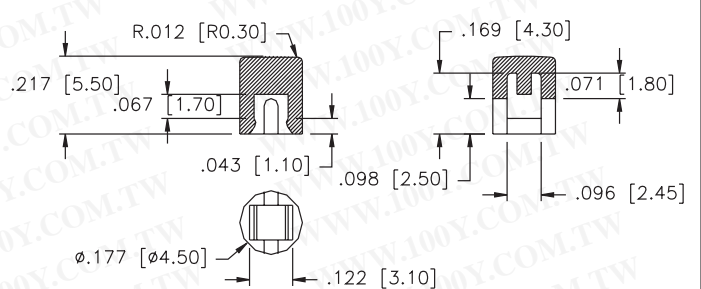
Prod. Size: ( Tactile Switch )  
 6 = 6 x 6mm  
 2 = 12 x 12mm

Cap Color:  
 Y = Yellow  
 B = Blue  
 R = Red  
 I = Ivory  
 K = Black  
 G = Green  
 S = Salmon

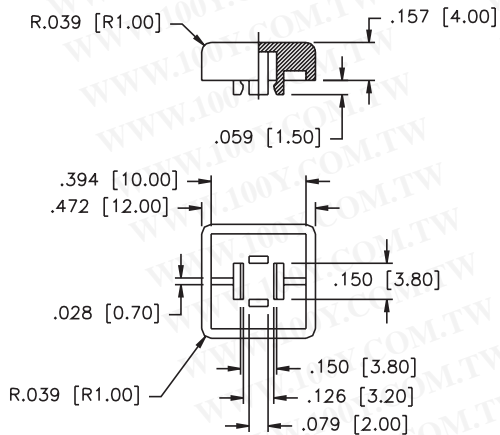
### AKTSC61



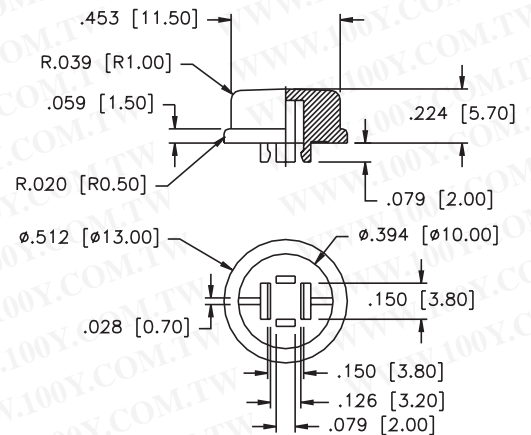
### AKTSC62



### AKTSC21



### AKTSC22



## PACKAGING

ADTS-6 Series: 1000 pcs/bag  
 ADTS(P)-2 series: 500 pcs/bag or 40pcs/tube

SPECIFICATIONS SUBJECT TO CHANGE WITHOUT NOTICE.