

勝特力材料 886-3-5753170
 勝特力电子(上海) 86-21-34970699
 勝特力电子(深圳) 86-755-83298787
[Http://www.100y.com.tw](http://www.100y.com.tw)

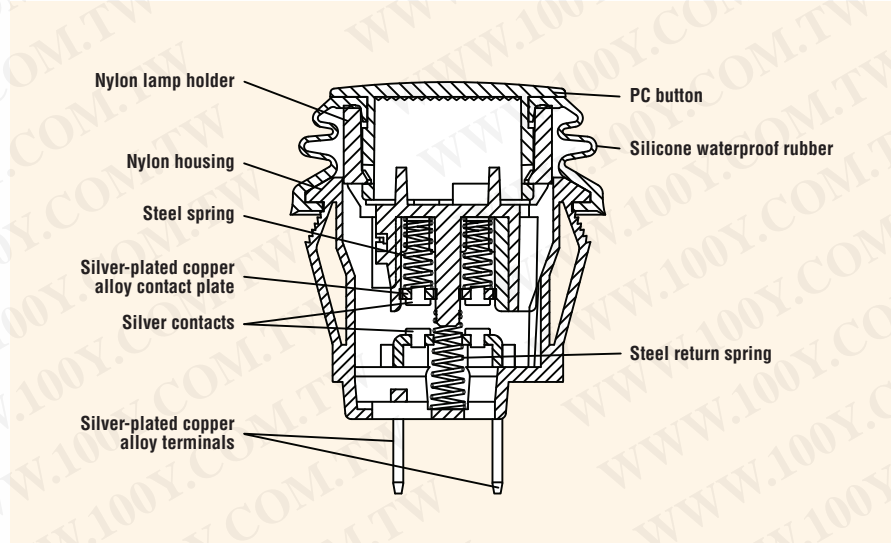


WATERPROOF ROUND PUSHBUTTON SWITCH

KF Series

Features

- Enclosed switch complying to IP65
- Available in single- or double-pole
- Lighted and non-lighted versions
- Maintained-action and momentary options
- Snap-in mounting
- Mechanical life: 100,000 cycles
- DC electrical life: 10,000 cycles



Electrical Ratings

Switch Series	VDC	UL1054 Rating	Electrical Life at Rated Load According to UL (Min. Operations)
KF	20A 14VDC; 10A 28VDC	10A 125VAC; 6A 250VAC; 1/2HP, 125/250VAC	6,000

Specifications

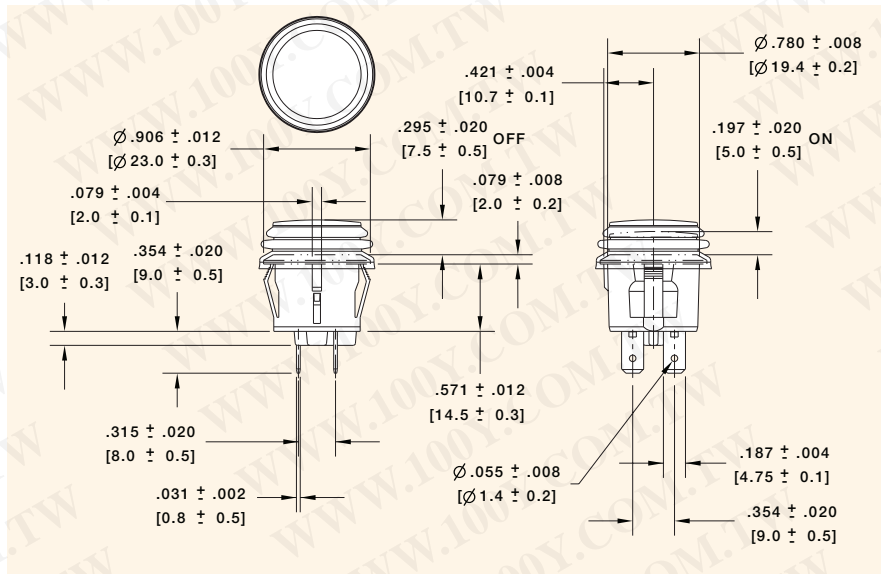
Electrical	
Dielectric Strength:	1500VAC for 1 minute
Insulation Resistance:	10 ⁸ ohms min at 500VDC
Initial Contact Resistance:	0.050 ohms max
Temperature Rating:	-25°C to +85°C
Materials	
Actuator:	Polycarbonate 94V-2
Housing:	Nylon 66 94V-2
Spring:	Steel
Contacts:	Silver Alloy
Movable Arm:	Silver-plated Copper Alloy
Terminals:	Silver-plated Copper Alloy
Waterproof Rubber:	Silicone



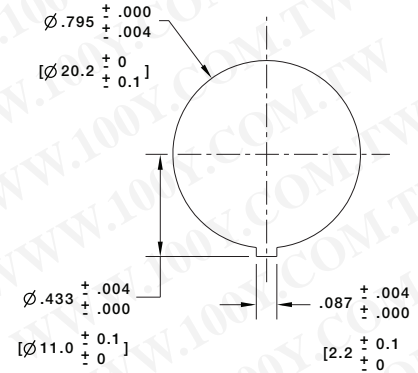
勝特力材料 886-3-5753170
 勝特力电子(上海) 86-21-34970699
 勝特力电子(深圳) 86-755-83298787
 Http://www.100y.com.tw



Dimensions inches (mm)



Panel Cut-Out Dimensions for Panel Thickness inches (mm)



Panel Thickness
.028 to .098 (0.7 to 2.5)

Examples of Common Part Numbers and Descriptions inches (mm)

Part Number	Circuitry	Switch Function	Terminal Type	Actuator/Housing Color	Legend Marking
KFB2ANA1BBB		On - Off	0.187 (4.75) Quick Connect	Black/Black	
KFB2ALA2RBB		On - Off (Illuminated)	0.187 (4.75) Quick Connect	Red/Black (Red Lens)	
KFB2DNA1BBB		(On) - Off	0.187 (4.75) Quick Connect	Black/Black	
KFB3ANA1BBB		On - Off	0.187 (4.75) Quick Connect	Black/Black	
KFB3ALA2RBB		On - Off (Illuminated)	0.187 (4.75) Quick Connect	Red/Black (Red Lens)	

Ordering Information

