

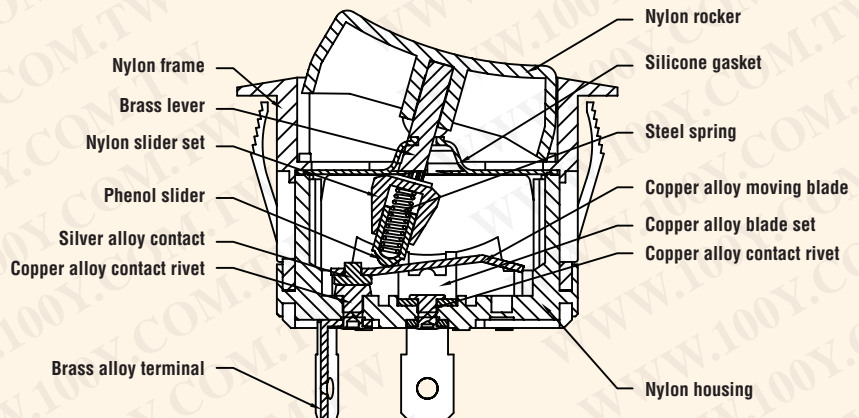
WATERPROOF 20A ROCKER SWITCH

KG Series

勝特力材料 886-3-5753170
 勝特力电子(上海) 86-21-34970699
 勝特力电子(深圳) 86-755-83298787
[Http://www.100y.com.tw](http://www.100y.com.tw)

Features

- Enclosed switch complying to IP56
- Available in single- or double-pole
- Maintained-action and momentary options
- Snap-in mounting
- Mechanical life: 100,000 cycles
- DC electrical life: 25,000 cycles



Electrical Ratings

Switch Series	VDC	UL1054 Rating	Electrical Life at Rated Load According to UL (Min. Operations)
KG	21A 14VDC	20A 125VAC; 10A 250VAC	6,000

Specifications

Electrical

Dielectric Strength:	1500VAC for 1 minute
Insulation Resistance:	10 ⁸ ohms min at 500VDC
Initial Contact Resistance:	0.050 ohms max
Temperature Rating:	-20°C to +85°C

Materials

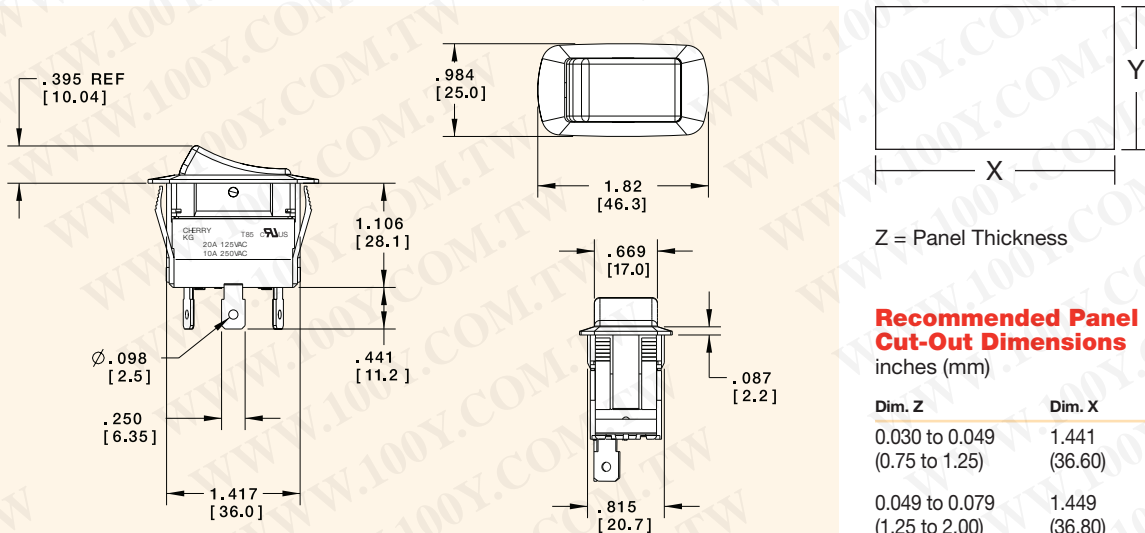
Actuator:	Nylon 66 with 33% Glass Fiber
Housing:	Nylon 66
Bezel:	Nylon 66 with 33% Glass Fiber
Spring:	Piano Steel Wire
Contacts:	Silver Alloy
Movable Arm:	Silver
Terminals:	Silver-plated Copper Alloy



勝特力材料 886-3-5753170
 勝特力电子(上海) 86-21-34970699
 勝特力电子(深圳) 86-755-83298787
 Http://www.100y.com.tw



Dimensions inches (mm)



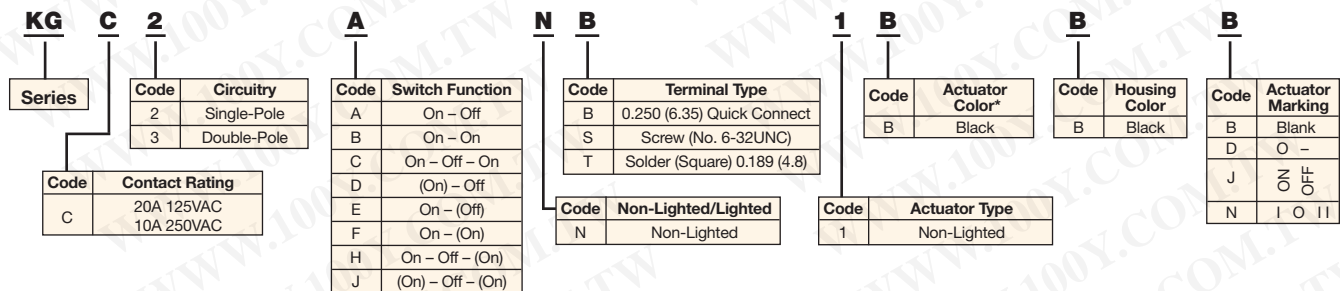
Recommended Panel Cut-Out Dimensions inches (mm)

Dim. Z	Dim. X	Dim. Y
0.030 to 0.049 (0.75 to 1.25)	1.441 (36.60)	0.835 (21.2)
0.049 to 0.079 (1.25 to 2.00)	1.449 (36.80)	0.835 (21.2)
0.079 to 0.118 (2.00 to 3.00)	1.457 (37.00)	0.835 (21.2)

Examples of Common Part Numbers and Descriptions inches (mm)

Part Number	Circuitry	Switch Function	Terminal Type	Actuator/Housing Color	Legend Marking
KGC2ANB1BBD		On - Off	0.250 (6.3) Quick Connect	Black/Black	
KGC2BNB1BBB		On - On	0.250 (6.3) Quick Connect	Black/Black	
KGC2CNB1BBN		On - Off - On	0.250 (6.3) Quick Connect	Black/Black	
KGC3ANB1BBD		On - Off	0.250 (6.3) Quick Connect	Black/Black	

Ordering Information



*Additional actuator colors available upon request