

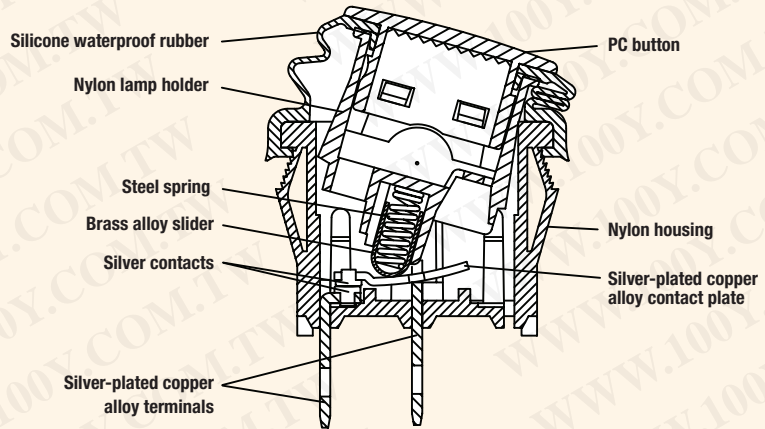
勝特力材料 886-3-5753170
 勝特力电子(上海) 86-21-34970699
 勝特力电子(深圳) 86-755-83298787
[Http://www.100y.com.tw](http://www.100y.com.tw)

WATERPROOF MINIATURE ROCKER SWITCH

KR Series

Features

- Enclosed switch complying to IP65
- Lighted and non-lighted versions
- Maintained-action and momentary options
- Snap-in mounting
- Mechanical life: 100,000 cycles
- DC electrical life: 25,000 cycles



Electrical Ratings

Switch Series	VDC	UL1054 Rating	Electrical Life at Rated Load According to UL (Min. Operations)
KR	20A 14VDC; 10A 28VDC	16A 125VAC 1/3HP; 10A 250VAC 1/2HP	6,000

Specifications

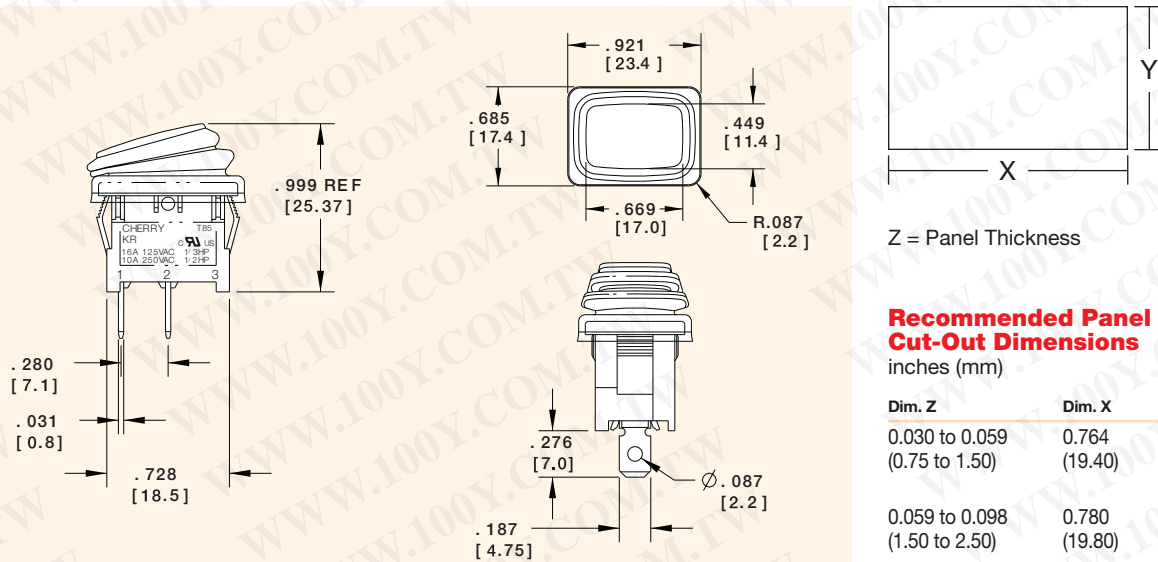
Electrical	
Dielectric Strength:	1500VAC for 1 minute
Insulation Resistance:	10 ⁸ ohms min at 500VDC
Initial Contact Resistance:	0.050 ohms max
Temperature Rating:	-25°C to +85°C
Materials	
Actuator (non-lighted):	Nylon 66 94V-2 min.
Actuator (lighted):	Polycarbonate
Housing:	Nylon 66 94V-2 min.
Spring:	Steel Wire
Contacts:	Silver Alloy
Movable Arm:	Silver
Terminals:	Silver-plated Copper Alloy
Waterproof Rubber:	Silicone



勝特力材料 886-3-5753170
 勝特力电子(上海) 86-21-34970699
 勝特力电子(深圳) 86-755-83298787
 Http://www.100y.com.tw



Dimensions inches (mm)



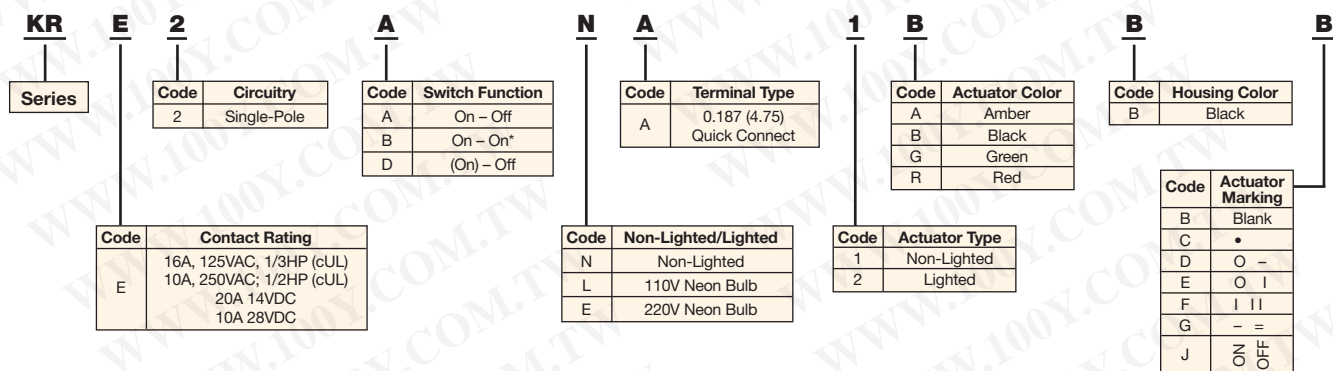
Recommended Panel Cut-Out Dimensions inches (mm)

Dim. Z	Dim. X	Dim. Y
0.030 to 0.059 (0.75 to 1.50)	0.764 (19.40)	0.512 (13.00)
0.059 to 0.098 (1.50 to 2.50)	0.780 (19.80)	0.512 (13.00)

Examples of Common Part Numbers and Descriptions inches (mm)

Part Number	Circuitry	Switch Function	Terminal Type	Actuator/Housing Color	Legend Marking
KRE2ANA1BBB		On - Off	0.187 (4.75) Quick Connect	Black/Black	
KRE2ALA2RBB		On - Off (Illuminated)	0.187 (4.8) Quick Connect	Red/Black	
KRE2BNA1BBB		On - On	0.187 (4.8) Quick Connect	Black/Black	
KRE2DNA1BBB		(On) - Off	0.187 (4.8) Quick Connect	Black/Black	

Ordering Information



*Only available as non-lighted