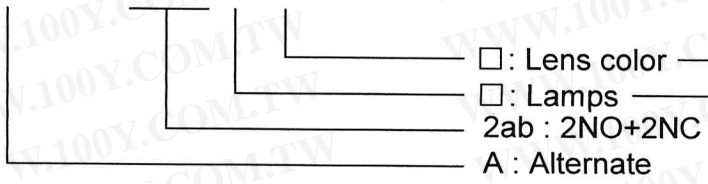
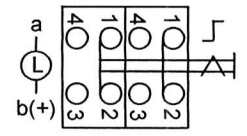


type no.:

D16LA R1- 2ab □ □



Electrical Diagram



- B : Blue
- G : Green
- O : Orange
- R : Red
- W : White
- Y : Yellow

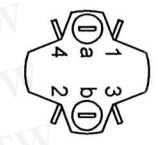
- 0 : Without lamps
- A : Incandescent 6V AC/DC 200mA
- B : Incandescent 14V AC/DC 80mA
- C : Incandescent 28V AC/DC 40mA
- F : Neon 110V/AC
- G : Neon 220V/AC
- H : LED 6V DC
- J : LED 12V DC
- K : LED 24V DC

order no.:

D16LAR1-2ab □ □ / □ □ □ □

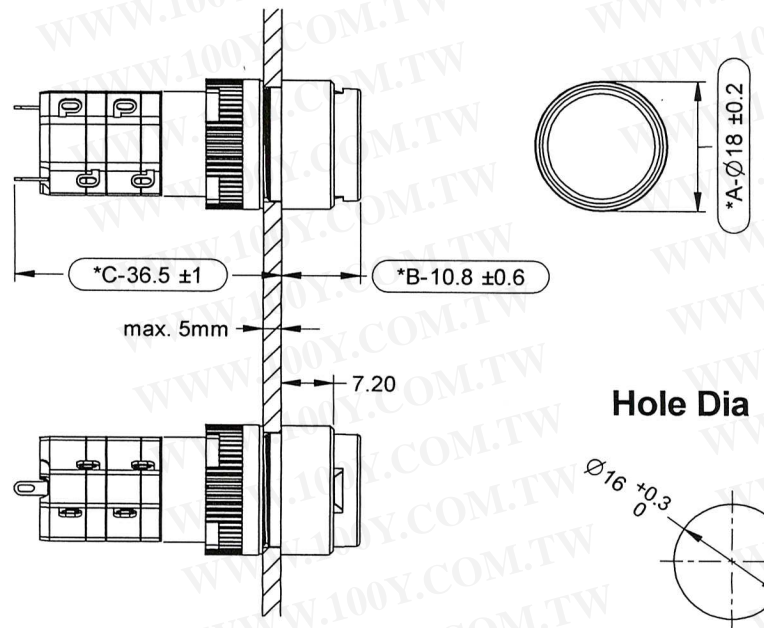
(Order no. codes)

Bottom View



Soldering Type Pushbutton Switches

Dimensions



Product Specifications

- Mechanical lifetime : >1 million operations
- Electric rating : 250V AC 5A(VDE) 125V AC 8A
250V DC 0.2A 24V DC 6A
- Max. insulation voltage: >1300V 60Hz 1 minute between all terminals
- Motion tolerance : <20 operations / minute
- Panel thickness : 0.5mm ~ 5mm
- Degree of protection : IP 40
- Storage temperature : -40°C to +85°C
- Operating temperature: -25°C to +55°C
(-25°C to +70°C without lamp)
- Contact resistance : <=50mΩ (initial)

勝特力材料 886-3-5753170
勝特力电子(上海) 86-21-54151736
勝特力电子(深圳) 86-755-83298787
[Http://www.100y.com.tw](http://www.100y.com.tw)

文件管制
 SEP 16. 2013
文管中心

定案
F
REV.

DESIGNER <i>Virgohm</i>	CHECK <i>Virgohm</i>	APPROVE <i>Virgohm</i>
DATE 2013/9/16	DATE 2013/9/16	DATE 2013/9/16

PART NAME Soldering Type Pushbutton Switches	UNIT MM	SCALE
DRAWING NO. D16LAR1-2abxx	SHEET 1/1	