

日本 FUJISOKU LP-16S 方形面板複位白色按鈕輕觸開關帶燈發光 LED 綠色燈  
17.5\*17.5 3A125V.250VAC 5 腳

有詳細資料尺寸圖:

■ Features

- 1. Low Profile**  
Ideal for low profile PC mounting or snap-in mounting with tight behind panel dimensions.
- 2. Full Face Illumination**  
Bright LED provides excellent illumination
- 3. Two Mounting Methods**  
PC board mount or snap-in panel mount.
- 4. Snap-Action Mechanism**  
Snap-action mechanism provides tactile feel.
- 5. UL Recognized and CSA Certified**  
Switches are UL recognized and CSA certified.

■ Approvals

UL File No.E43275  
CSA File No.LR38341

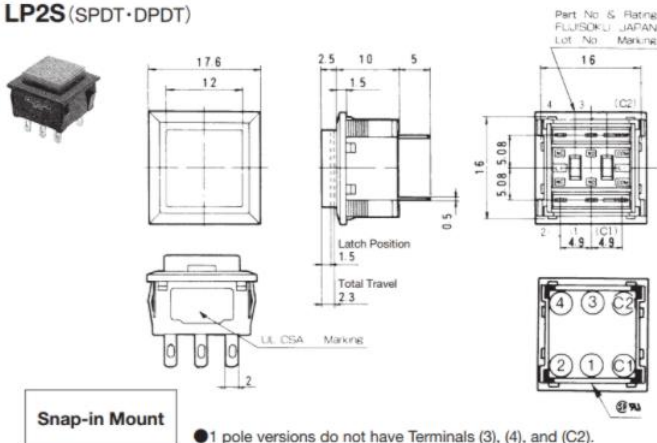
■ Specification

Rating	Silver contact	(Max.) 3A 125V / 3A 250V / 3A DC30V (Min.) 10mA 5V AC/DC
	Gold plated contact	(Max.) 0.4VA AC/DC -Voltage 20mA~48V -Current 0.1mA~50mA (Min.) 20mV 0.1mA AC/DC
Initial contact resistance	Silver contacts ; 50mΩ max. (1A 2~4VDC) Gold plated contacts ; 100mΩ max. (1.5mA 200μVAC)	
Dielectric strength	1,500VAC 1 minute	
Insulation resistance	100MΩ min. (500VDC)	
Contact Bounce	10 msec. max.	
Electrical life	Silver contact	30,000 operations (3A 125VAC-3A 30VDC) 20,000 operations (3A 250VAC)
	Gold plated contact	50,000 operations (50mA 48V AC/DC) 200,000 operations (0.4VA AC/DC)
Operating force	1 pole	1.47±0.98N
	2 poles	2.26±0.98N
Travel	Total Travel	2.3mm
	Latch Position	1.5mm
Operating temperature range	-15~+60°C	
Storage temperature range	-25~+70°C	

LP (Nonilluminated)

TELLTY

LP2S (SPDT-DPDT)



Part No.	Switching function	
UL LP2S-16□-□-Z	ON	(ON)
UL LP2S-17□-□-Z	ON	ON
UL LP2W-16□-□-Z	ON	(ON)
UL LP2W-17□-□-Z	ON	ON
Connected Terminals	(C1) - (2)	(C1) - (1)
UL LP2S-26□-□-Z	ON	(ON)
UL LP2S-27□-□-Z	ON	ON
UL LP2W-26□-□-Z	ON	(ON)
UL LP2W-27□-□-Z	ON	ON
Connected Terminals	(C1) - (2) (C2) - (4)	(C1) - (1) (C2) - (3)

● 1 pole versions do not have Terminals (3), (4), and (C2).

勝特力材料 886-3-5773766  
 勝特力电子(上海) 86-21-34970699  
 勝特力电子(深圳) 86-755-83298787  
[Http://www.100y.com.tw](http://www.100y.com.tw)