

## Interactive Catalog Replaces Catalog Pages

Honeywell Sensing and Control has replaced the PDF product catalog with the new **Interactive Catalog**. The **Interactive Catalog** is a power search tool that makes it easier to find product information. It includes more installation, application, and technical information than ever before.



Click this icon to try the new  
Interactive Catalog.

### Sensing and Control

Honeywell Inc.

11 West Spring Street

Freeport, Illinois 61032

勝特力材料 886-3-5753170

勝特力电子(上海) 86-21-34970699

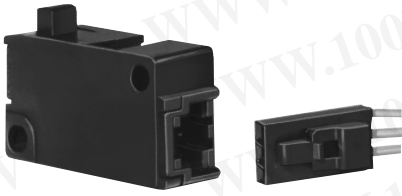
勝特力电子(深圳) 86-755-83298787

[Http://www.100y.com.tw](http://www.100y.com.tw)

# Solid State Sensors

## Solid State Basic Switch

VX Series



### FEATURES

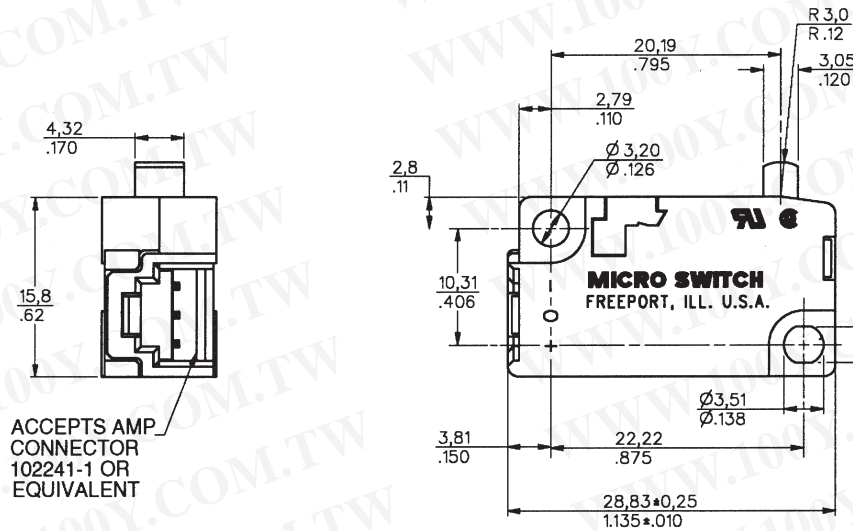
- Plunger operated non-contact digital output
- Low force operation
- -40° to +70°C operating temperature
- Direct interface to solid state circuits
- Reverse voltage protection
- Rugged construction
- Tested to over 100 million operations
- Wide variety of standard levers and actuators available
- Lever external to switch body
- Industry standard mounting holes
- No external terminals — uses standard keyed and locking plug-in connectors
- UL recognized, CSA certified
- Plunger is acetal copolymer. Housing is PBT polyester.

### ELECTRICAL SPECIFICATIONS

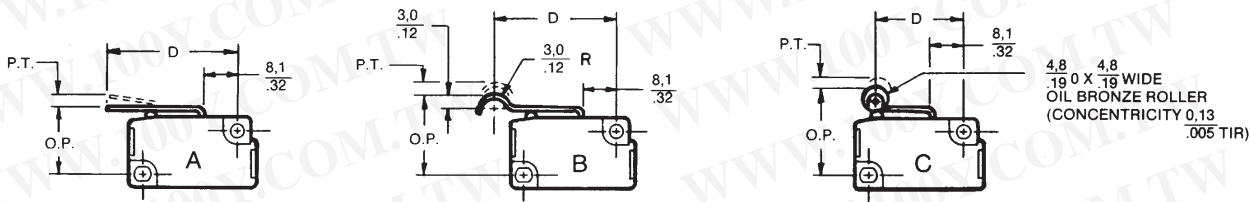
Supply Voltage (VDC)	4.5 to 24
Supply Current (mA max.)	15
Output Type	Sink
Current per Output (mA)	10

### MOUNTING DIMENSIONS

(For reference only)



### OPERATING CHARACTERISTICS DIMENSIONS



勝特力材料 886-3-5753170  
 胜特力电子(上海) 86-21-34970699  
 胜特力电子(深圳) 86-755-83298787  
[Http://www.100y.com.tw](http://www.100y.com.tw)

# Solid State Sensors

## Solid State Basic Switch

VX Series

Characteristics: P.T. — Pretravel; O.T. — Overtravel; D.T. — Differential Travel; O.P. — Operating Position

### VX ORDER GUIDE

Catalog Listings	Operating Force	Lever Actuation Point (D)	Lever Style*	P.T. max mm inches	O.T. min. mm inches	D.T. max. mm inches	O.P. mm inches
<b>Accepts AMP Conn.</b>	<b>Ounces Newtons</b>						
<b>VX10</b>	.35 + .18 (-.14) 0,1 (+.05,-.04)	—	—	2,16 .085	1,02 .040	0,30 .012	14,73 ± 0,51 .580 ± .020
<b>VX80</b>	3.0 ± .88 0,83 ± .24	—	(Pin Plunger)				
<b>VX10-A1</b>	.35 ± .2 0,1 ± .06	21,8	A (Short)	2,59 .102	1,02 .040	0,36 .014	15,37 ± 0,69 .605 ± .027
<b>VX80-A1</b>	2.8 ± 1.1 .78 ± .31	.860					
<b>VX10-A2</b>	0.2 ± .1 .06 ± .03	35,6	A (Medium)	5,33 .210	2,16 .085	0,71 .028	15,34 ± 1,40 .604 ± .055
<b>VX80-A2</b>	1.41 ± .50 .39 ± .14	1.400					
<b>VX10-A3</b>	.10 ± .07 .03 ± .02	59,4	A (Long)	9,96 .392	4,06 .160	1,32 .052	15,24 ± 2,64 .600 ± .104
<b>VX80-A3</b>	.75 + .35 (-.25) .21 (+0,1,-.07)	2.340					
<b>VX10-B1</b>	0.20 + .15 (-.10) .06 (+.04,-.03)	32,6	B (Simulated Roller)	5,21 .205	1,91 .075	0,64 .025	18,52 ± 1,47 .729 ± .058
<b>VX80-B1</b>	1.55 ± .53 .43 ± .15	1.285					
<b>VX10-C1</b>	.40 ± .20 .11 ± .06	20,6	C (Short Roller)	2,49 .098	1,02 .040	0,33 .013	20,68 ± 0,69 .814 ± .027
<b>VX80-C1</b>	3.0 ± 1.06 .83 ± .29	.810					

\* Other lever styles are available. Contact MICRO SWITCH sales office.

### Termination

Terminal pins accept AMP connectors (not furnished):

AMP 102241-1  
MICRO SWITCH part number:  
VX1A — connector & receptacle unassembled.  
VX1A-01 — connector & receptacle pre-assembled with 5.4", 24 gauge lead wires.

NOTE: The output transistors of the listings shown are "normally off." They are not conducting and the output voltage is High with plunger in free position. To order devices which are "normally on" and the output voltage is Low (conducting with plunger in free position), change the second digit from 0 to a 1, or a 2 to a 3 in the catalog listing.

Example: VX10-A1 — VX11-A1

勝特力材料 886-3-5753170  
勝特力电子(上海) 86-21-34970699  
勝特力电子(深圳) 86-755-83298787  
[Http://www.100y.com.tw](http://www.100y.com.tw)

Integral Magnet