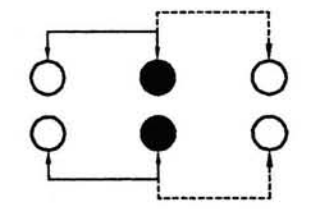
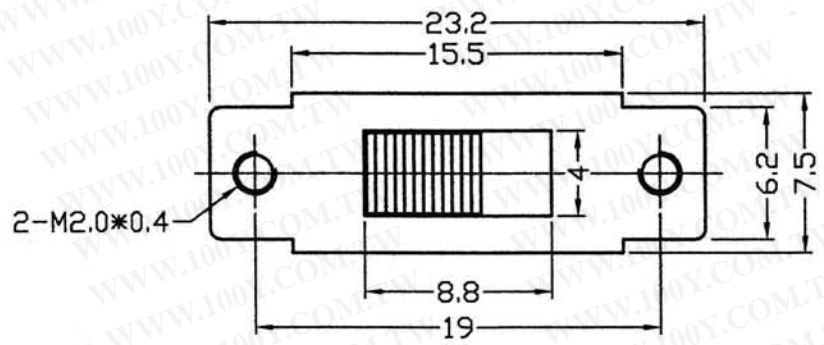
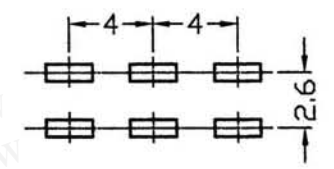
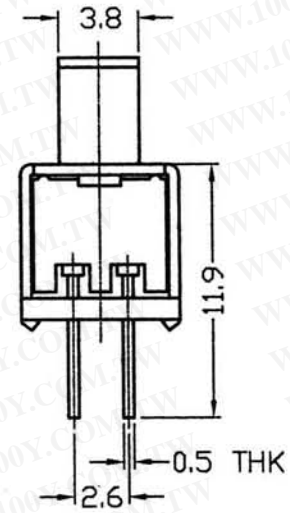
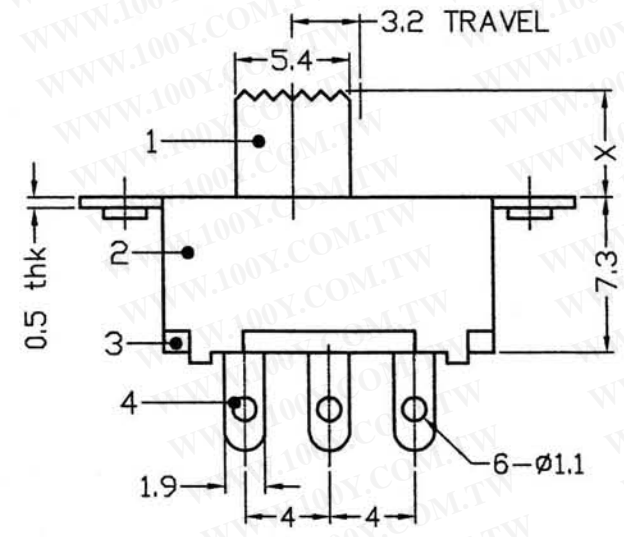


勝特力材料 886-3-5753170  
 勝特力电子(上海) 86-21-34970699  
 勝特力电子(深圳) 86-755-83298787  
[Http://www.100y.com.tw](http://www.100y.com.tw)

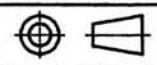


SCHEMATIC (NON-SHORTING)



P. C. B LAYOUT

TITLE : HORIZONTAL SLIDE SWITCH  
 MODEL : HSS-2225-LX



UNIT : M M	DWN.	GENERAL TOLERANCE
SCALE : 3 : 1	CHK' D	WITHIN 1.5mm ± 0.1mm
LEVEL 1	REV R1	APPD.
		OVER 1.5mm ± 0.2mm

NO.	PART NAME	MATERIAL	QTY.	FINISHING
9				
8				
7				
6	CONTACT	COPPER STRIP	2	Ag PLATED
5	SPRING	STEEL WIRE	2	TEMPER
4	TERMINAL	BRASS STRIP	6	Ag PLATED OVER Ni PLATED
3	TERMINAL BASE	PHENOLIC RESIN	1	NATURAL
2	FRAME	STEEL STRIP	1	BLACK
1	KNOB	POM	1	BLACK