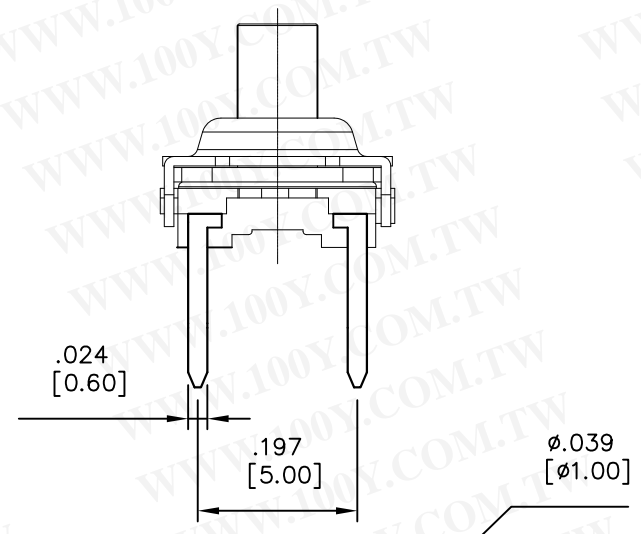
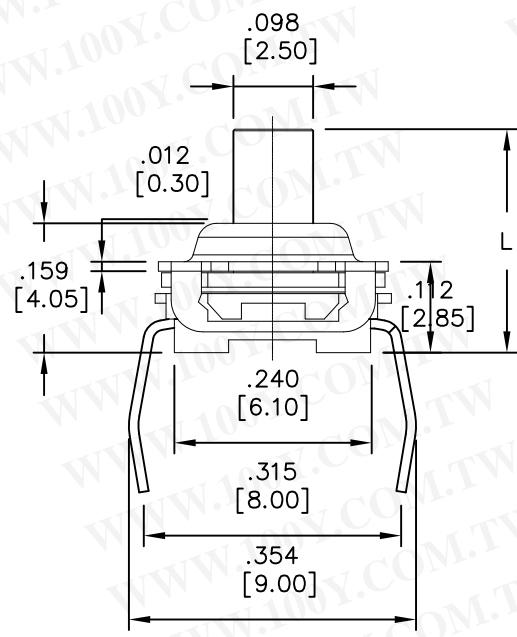
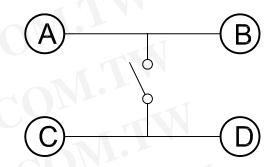


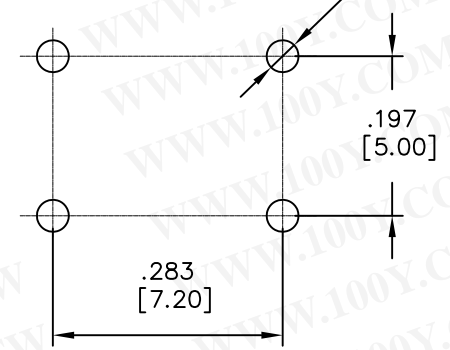
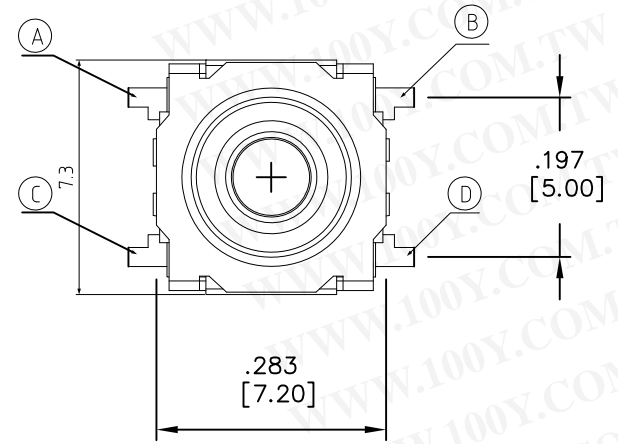
REV. 更改	DESCRIPTION 說明	ENG. 修改人	APPROVE 審核



CIRCUIT DIAGRAM



L	Stem Height
1	5
2	7
3	8.5



- SPECIFICATIONS:
1. Rating: DC12V 50mA
  2. Contact Resistance: 30m-ohms max.
  3. Operating Force: 250±30gf
  4. Travel: 0.30±0.10mm
  5. Operating Life: 80,000 cycles
  6. Tolerance: ±0.30mm

勝特力材料 886-3-5753170  
 勝特力电子(上海) 86-21-34970699  
 勝特力电子(深圳) 86-755-83298787  
[Http://www.100y.com.tw](http://www.100y.com.tw)

ITEM NO. 料號	KRSA-0712-1
----------------	-------------

THESE DRAWINGS AND SPECIFICATIONS ARE THE PROPERTY OF TAIWAY ELECTRONICS LTD. AND SHALL NOT BE REPRODUCED COPIED OR USED IN ANY MANNER WITHOUT THE PRIOR WRITTEN CONSENT OF TAIWAY ELECTRONICS LTD.			
UNLESS OTHERWISE SPECIFIED DIMENSIONS ARE IN MILLIMETERS ANGULAR TOLERANCE: ±1.0°		USED 用途	KRSA
APPD. 審核		Amy 2010/08/02	
FINISH 處理		CHKD. 校對	
Amy 2010/08/02		DR. 製圖	
Amy 2010/08/02		SCALE 比例	UNIT 單位
DIMENSIONS		in(mm)	
TOLERANCE		製圖	
0.00 TO 30.00mm	±0.20mm	TITLE 名稱	
30.01 TO 80.00mm	±0.25mm	WASHABLE TACT SWITCH	
80.01 TO 150.00mm	±0.30mm	DWG NO. 圖號	
150.01 TO	±0.40mm	KRSA-0712-x	
MATERIAL		FILE NAME 檔案名稱	SHEET 張
		KRSA-67.dwg	1/1
		REV. 更改	1