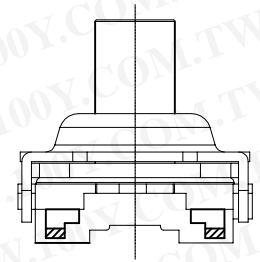
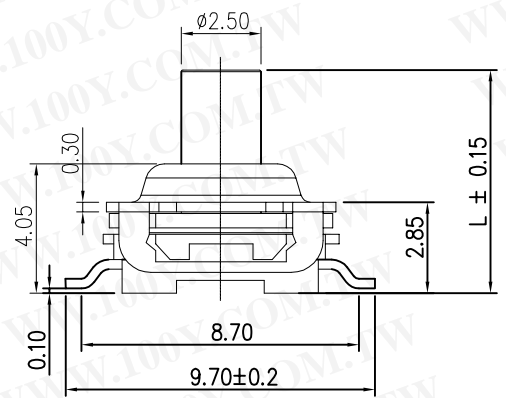
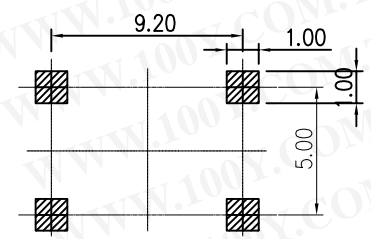
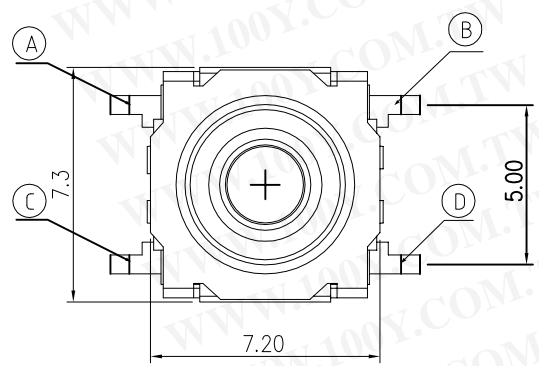
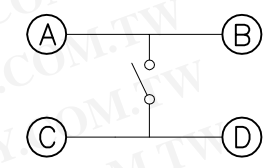


REV. 更改	DESCRIPTION 說明	ENG. 修改人	APPROVE 審核
------------	-------------------	-------------	---------------



CIRCUIT DIAGRAM



Recommended P.C.B layout

- SPECIFICATIONS:
1. Rating: DC12V 50mA
  2. Contact Resistance: 30m-ohms max.
  3. Operating Force: 250±30gf
  4. Travel: 0.30±0.10mm
  5. Operating Life: 80,000 cycles
  6. Tolerance: ±0.30mm

L	Stem Height
1	5
2	7
3	8.5

ITEM NO. 料號	KRSAM-0712-1
----------------	--------------

勝特力材料 886-3-5753170  
 勝特力电子(上海) 86-21-34970699  
 勝特力电子(深圳) 86-755-83298787  
[Http://www.100y.com.tw](http://www.100y.com.tw)

THESE DRAWINGS AND SPECIFICATIONS ARE THE PROPERTY OF TAIWAY ELECTRONICS LTD. AND SHALL NOT BE REPRODUCED COPIED OR USED IN ANY MANNER WITHOUT THE PRIOR WRITTEN CONSENT OF TAIWAY ELECTRONICS LTD.

UNLESS OTHERWISE SPECIFIED DIMENSIONS ARE IN MILLIMETERS ANGULAR TOLERANCE: ±1.0°

DIMENSIONS	TOLERANCE
0.00 TO 30.00mm	±0.20mm
30.01 TO 80.00mm	±0.25mm
80.01 TO 150.00mm	±0.30mm
150.01	±0.40mm

USED 用途 KRSAM		APPD. 審核 Amy 2010/08/02	
FINISH 處理		CHKD. 校對 Amy 2010/08/02	
SCALE 比例 /	UNIT 單位 in(mm)	DR. 製圖 Amy 2010/08/02	
TITLE 名稱 WASHABLE TACT SWITCH			
DWG NO. 圖號 KRSAM-0712-1		SIZE 圖紙 A4	
FILE NAME 檔案名稱 KRSAM-67.dwg	SHEET 張 1 / 1	REV. 更改	1