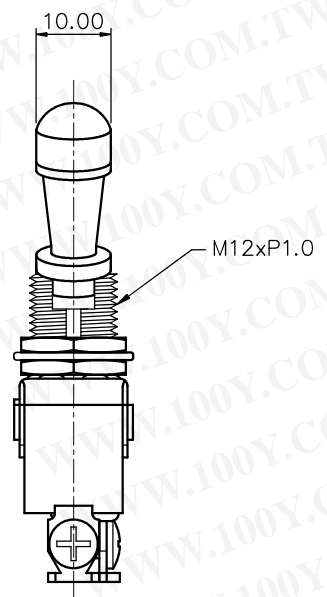
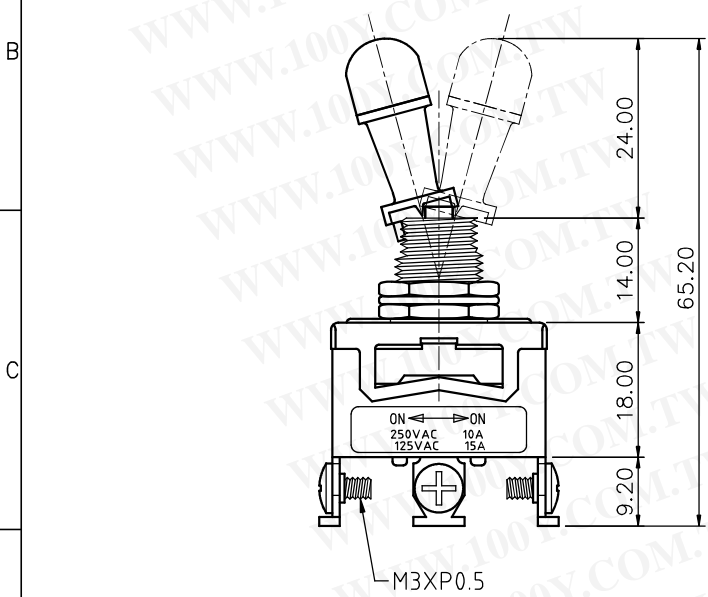
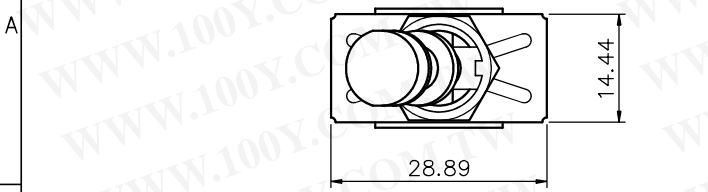


REV. 更改	DESCRIPTION 說明	ENG. 修改人	APPROVE 審核

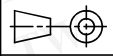
勝特力材料 886-3-5753170  
 勝特力电子(上海) 86-21-34970699  
 勝特力电子(深圳) 86-755-83298787  
[Http://www.100y.com.tw](http://www.100y.com.tw)



MODEL NO.	Switch Function		
SP-1	ON	NONE	ON

**SPECIFICATION:**

- 1.RATING:10A 250VAC, 15A 125VAC.
- 2.INSULATION RESISTANCE:DC 500V 200MΩ OR MORE.
- 3.CONTACT RESISTANCE:DC 2-4V 1A 20mΩ OR LESS.
- 4.WITHSTAND VOLTAGE: AC 1,500V OR MORE.
- 5.TOLERANCE: ±0.30mm

THESE DRAWINGS AND SPECIFICATIONS ARE THE PROPERTY OF TAIWAY ELECTRONICS COMPONENTS LTD. AND SHALL NOT BE REPRODUCED COPIED OR USED IN ANY MANNER WITHOUT THE PRIOR WRITTEN CONSENT OF TAIWAY ELECTRONICS COMPONENTS LTD.			
UNLESS OTHERWISE SPECIFIED DIMENSIONS ARE IN MILLIMETERS ANGULAR TOLERANCE: ±1.0°		USED 用途 L7	APPD. 審核 Amy 2013/11/29
DIMENSIONS 0.00 TO 10.00mm ±0.20mm 10.01 TO 20.00mm ±0.25mm 20.01 TO 30.00mm ±0.30mm 30.01 ↑ ±0.40mm	TOLERANCE ±0.20mm ±0.25mm ±0.30mm ±0.40mm	FINISH 處理 SCALE 比例 1 / 1 UNIT 單位 mm	CHKD. 校對 Amy 2013/11/29 DR. 製圖 JOHN 2013/11/29
MATERIAL 名稱 Power Toggle Switch			
DWG NO. 圖號 L7-SP1-TL-BL-H2		SIZE 圖紙 A4	
FILE NAME 檔案名稱 L7-SP1-TL-BL-H2.DWG		SHEET 張 1 / 1	REV. 更改 1

ITEM NO. 料號	L7-SP1-TL-BL-H2
----------------	-----------------