

勝特力材料 886-3-5753170
 勝特力电子(上海) 86-21-34970699
 勝特力电子(深圳) 86-755-83298787
 Http://www.100y.com.tw

PUSH BUTTON SWITCH WITH LED LS SERIES



Feature

- LED illumination
- Two color available

Applications

- Computer Product
- Office appliance
- Communication Equipments

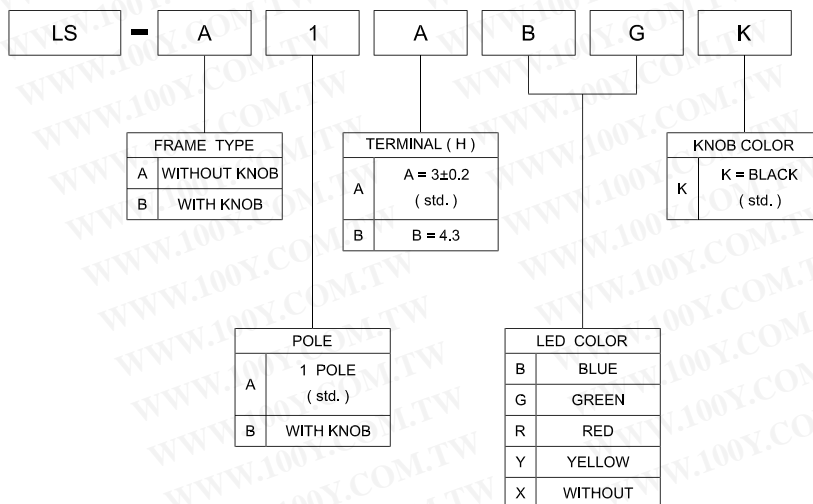
SPECIFICATIONS

SWITCH SPECIFICATIONS	
POLE - POSITION	Momentary Type , LOCK Type with LED
CONTACT RATING	36 V DC , 0.2 A
CONTACT RESISTANCE	40 mΩ max . 1.5 V DC ; 100 mA , by Method of Voltage DROP
INSULATION RESISTANCE	100 MΩ min . 500 V DC
DIELECTRIC STRENGTH	Breakdown is not Allowable ; 500 V AC for 1 Minute
OPERATING FORCE	200 ± 100 gf
OPERATING LIFE	10,000 cycles
OPERATING TEMPERATURE RANGE	-20°C ~ 70°C
TOTAL TRAVEL	FULL TRAVEL - 2.2 ± 0.3 mm CONTACT TRAVEL - 1.6 ± 0.3 mm

LED SPECIFICATIONS						
ATTENTION LEDs are Electrostatic Sensitive devices	Unit	Value / LED Color				
		Blue	Green	Red	Yellow	
FORWARD CURRENT	If	mA	30	30	40	30
REVERSE VOLTAGE	Vr	V	5.0	5.0	5.0	5.0
REVERSE CURRENT	Ir	μA	50	10	10	10
FORWARD VOLTAGE@20mA	Vf	V	3.5-4.0	1.7-2.8	1.5-2.4	1.7-2.8
LUMINOUS INTENSITY@20mA	Iv	mcd	350-700	60-100	75-120	45-75

- Physical and electrical information of LED will be provided upon customer's request on switches.

HOW TO ORDER



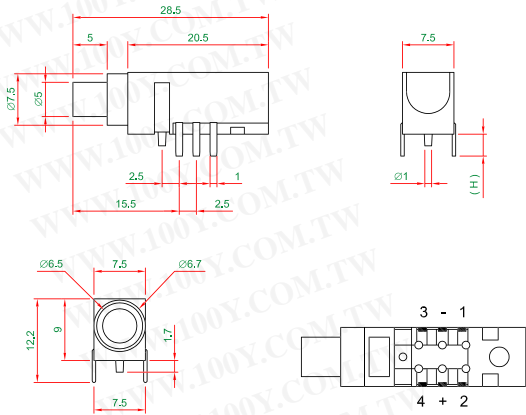
勝特力材料 886-3-5753170
 勝特力电子(上海) 86-21-34970699
 勝特力电子(深圳) 86-755-83298787
[Http://www.100y.com.tw](http://www.100y.com.tw)

PUSH BUTTON SWITCH WITH LED LS SERIES

DIMENSION



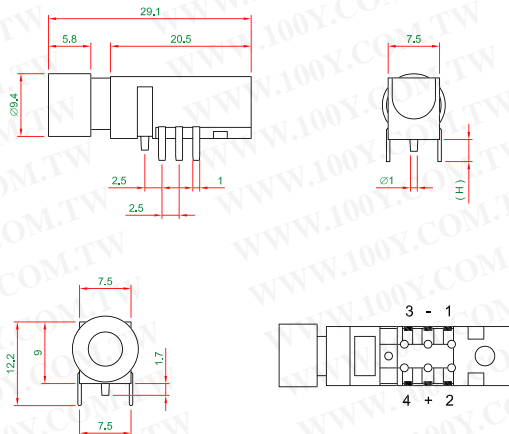
LS - A1A □ □



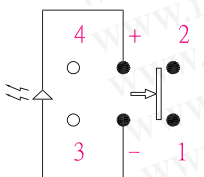
DIMENSION



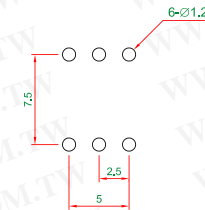
LS - B1A □ □ K



SCHEMATIC



P.C.B LAYOUT



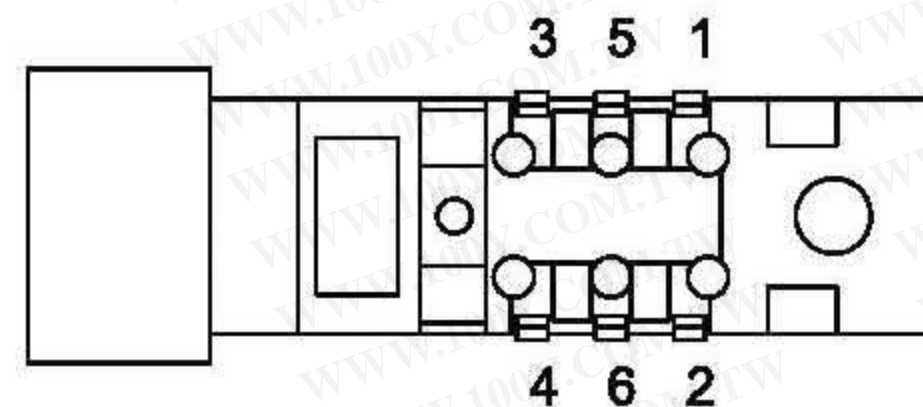
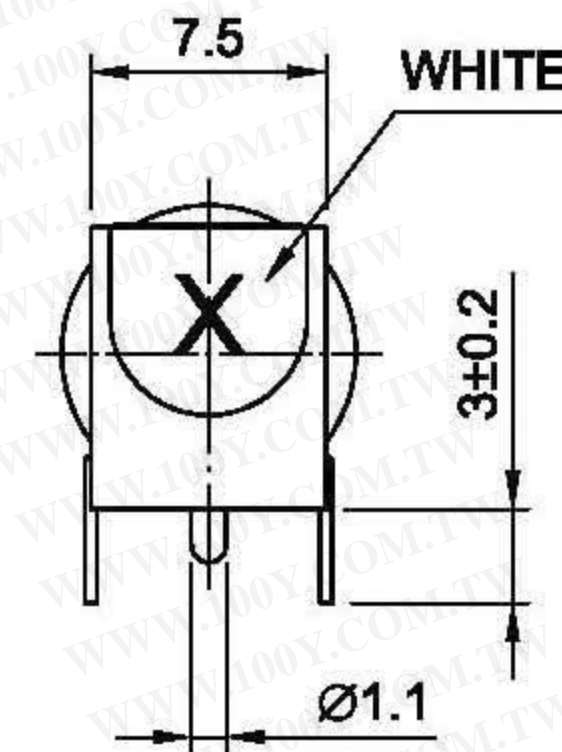
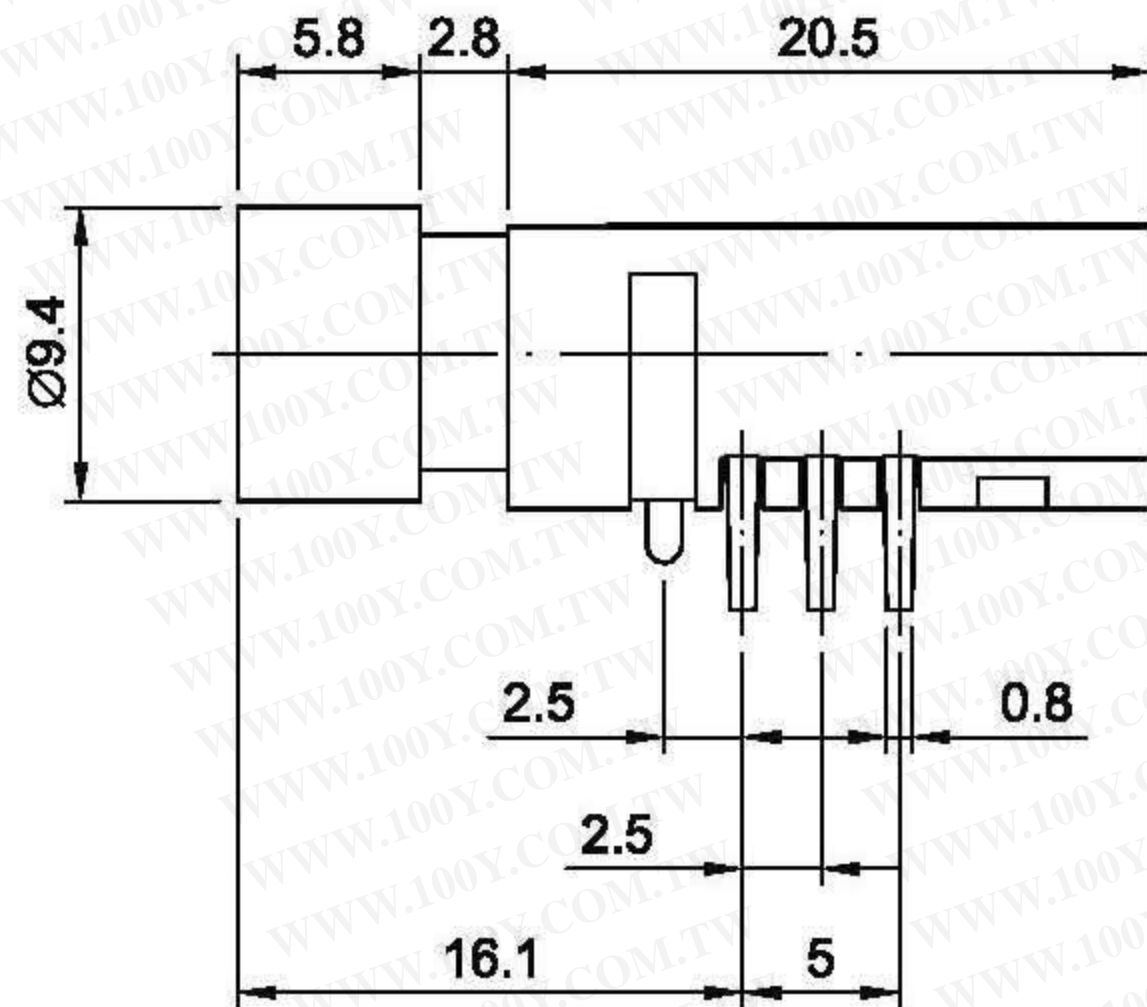
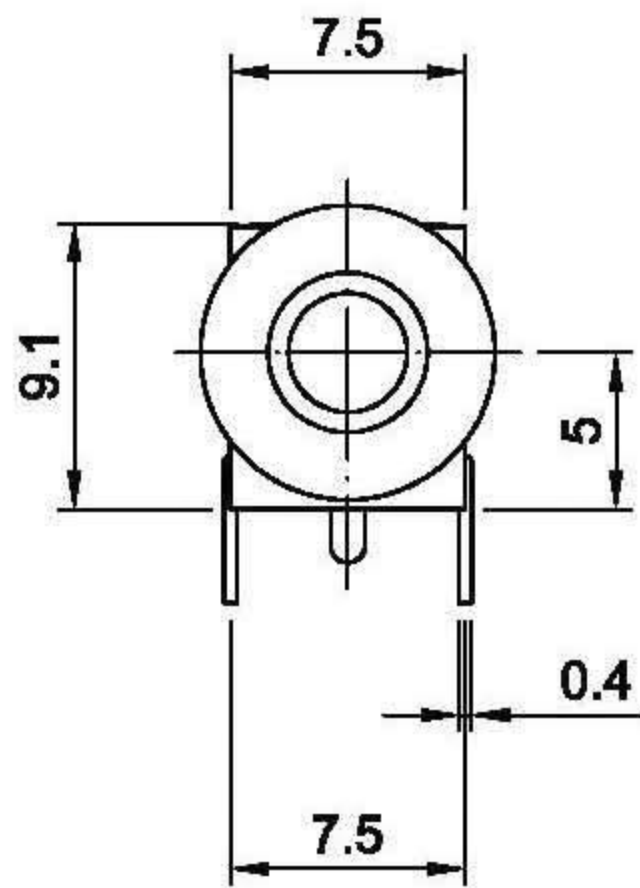
MATERIAL

- COVER - PA + GF
- ACTUATOR - PA + GF
- BASE FRAME - PA + GF
- TERMINAL - BRASS SILVER PLATING, GOLD PLATED

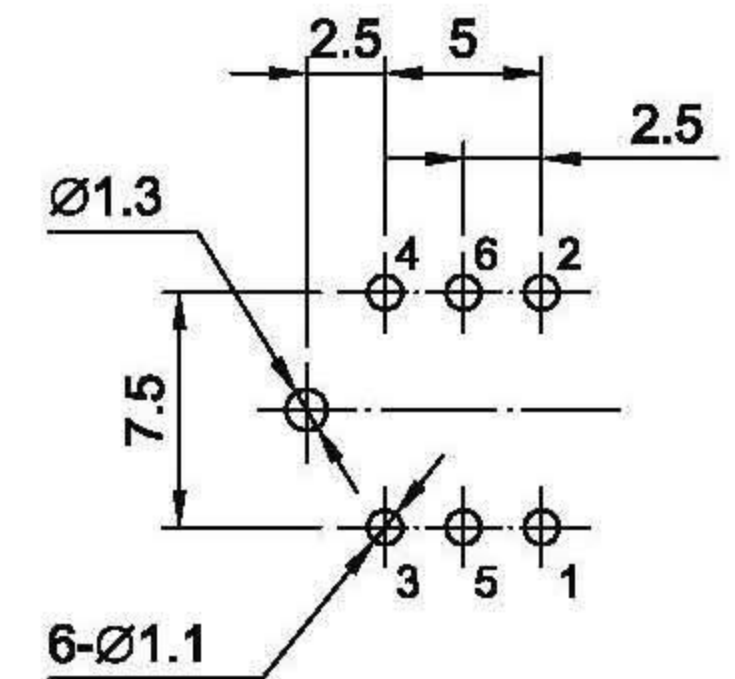
UNIT WEIGHT

- LS - A1A □ □ : 1.7 ± 0.05 g / pcs
- LS - B1A □ □ K : 2.0 ± 0.05 g / pcs

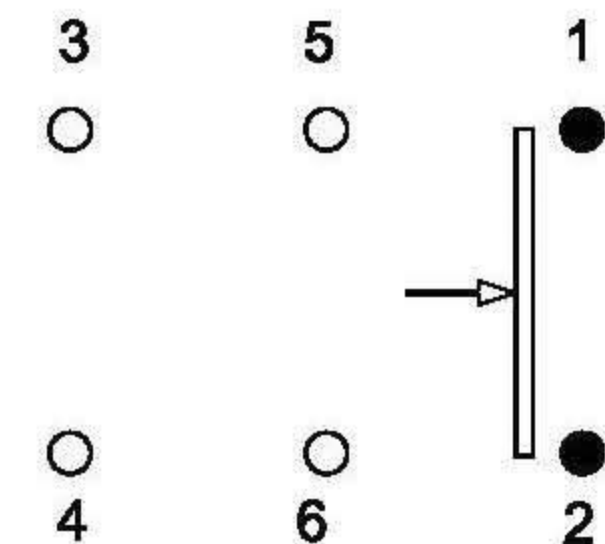
勝特力材料 886-3-5753170
 勝特力电子(上海) 86-21-34970699
 勝特力电子(深圳) 86-755-83298787
 Http://www.100y.com.tw



P.C.B.LAYOUT



SCHEMATIC



1. POLE POSITION : 1P1T MOMENTARY .
2. RATING : 36 V DC 200mA MAX .
3. CONTACT RESISTANCE : 40mΩ MAX .
4. INSULATION RESISTANCE : 500V DC , 100MΩ MIN .
5. OPERATING FORCE : 200±100gf .
6. OPERATING TEMPERATURE RANGE : -20°C~+70°C .
7. OPERATING LIFE : 10,000 CYCLES .

DIMENSION	TOLERANCE
BELOW 10mm	±0.3
10~100mm	±0.5
ABOVE 100mm	±0.8
ANGLE	±3°

△	DATE	DRAWN BY	CHECKED BY	APPROVAL BY
△	2006/04/20	OWEN	KAVEN	FRANK
△	UNIT :	SKIAGRAPHY :		
SYM	DATE	DESCRIPTION	REV.	mm

TITLE :
 LS SERIES
 SEALED PUSH BUTTON
 SWITCH WITH LED

PART NO :
 LS-B1A□K

DWG NO :
 LS-B1AXK