

勝特力材料 886-3-5753170  
 勝特力电子(上海) 86-21-34970699  
 勝特力电子(深圳) 86-755-83298787  
 Http://www.100y.com.tw

## PUSH BUTTON SWITCH WITH LED MLS SERIES



### Feature


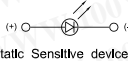
- Small size
- LED illumination
- Two color available
- Single pole, Single throw

### Applications

- Computer Product
- Office appliance
- Communication Equipments

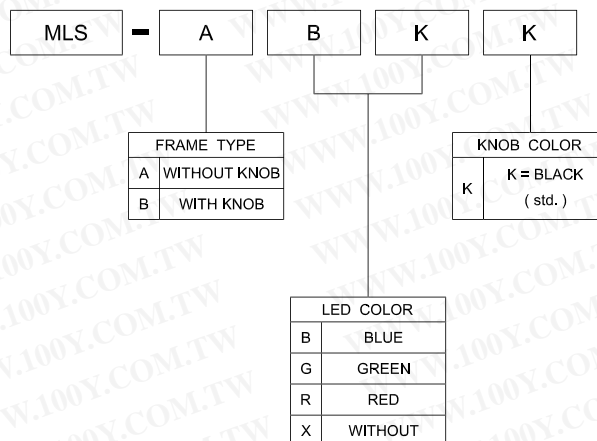
### SPECIFICATIONS

SWITCH SPECIFICATIONS	
POLE - POSITION	Momentary Type , SPST with LED
CONTACT RATING	36 V DC , 0.2 A
CONTACT RESISTANCE	40 mΩ max . 1.5 V DC ; 100 mA , by Method of Voltage DROP
INSULATION RESISTANCE	100 MΩ min . 500 V DC
DIELECTRIC STRENGTH	Breakdown is not Allowable ; 500 V AC for 1 Minute
OPERATING FORCE	300 ± 100 gf
OPERATING LIFE	10,000 cycles
OPERATING TEMPERATURE RANGE	-20°C ~ 70°C
TOTAL TRAVEL	FULL TRAVEL - 2.4 ± 0.3 mm CONTACT TRAVEL - 1.6 ± 0.3 mm

LED SPECIFICATIONS						
 ATTENTION LEDs are Electrostatic Sensitive devices		Unit	Value / LED Color			
			Blue	Green	Red	Yellow
FORWARD CURRENT	If	mA	30	30	40	30
REVERSE VOLTAGE	Vr	V	5.0	5.0	5.0	5.0
REVERSE CURRENT	Ir	μA	50	10	10	10
FORWARD VOLTAGE@20mA	Vf	V	3.5-4.0	1.7-2.8	1.5-2.4	1.7-2.8
LUMINOUS INTENSITY@20mA	Iv	mcd	350-700	60-100	75-120	45-75

- Physical and electrical information of LED will be provided upon customer's request on switches.

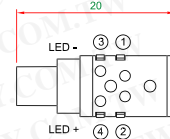
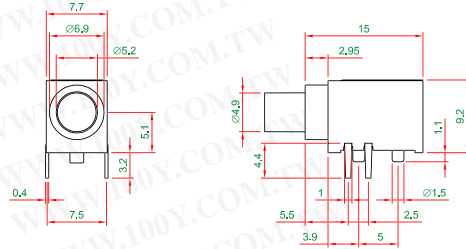
### HOW TO ORDER



DIMENSION



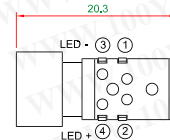
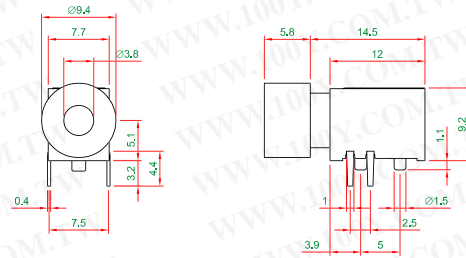
MLS - A □ □



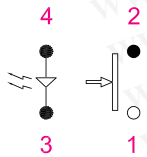
DIMENSION



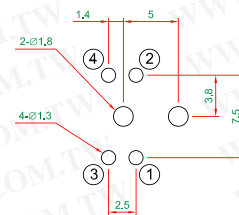
MLS - B □ □ K



SCHEMATIC



P.C.B LAYOUT



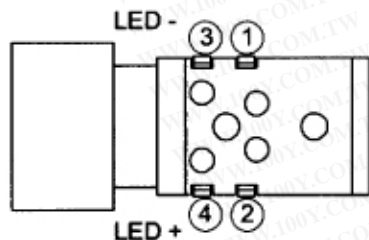
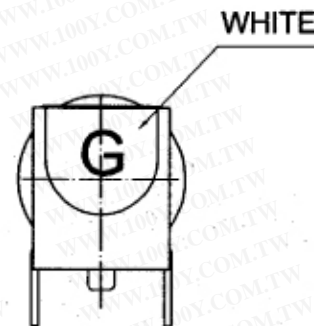
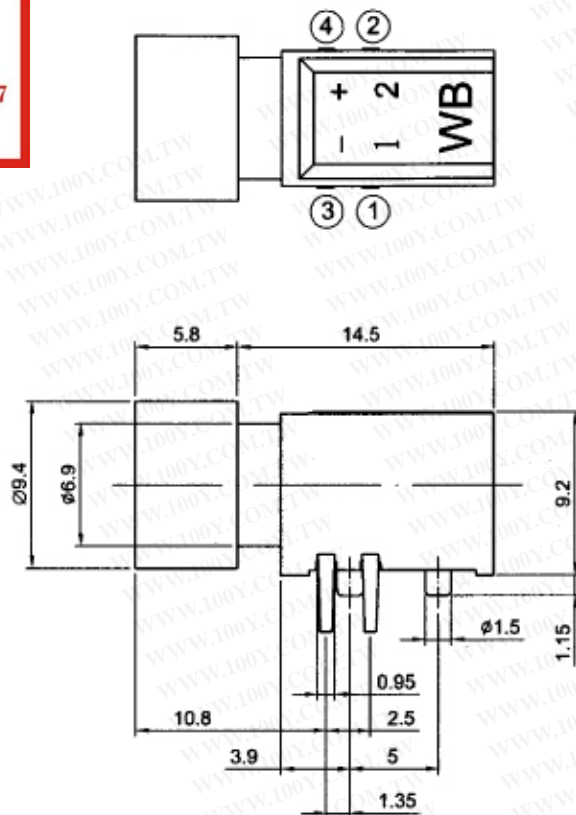
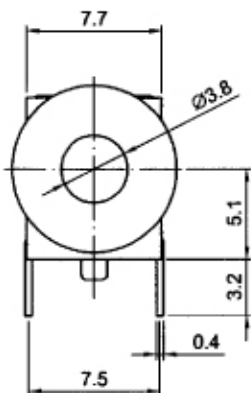
MATERIAL

- COVER - PA + GF
- ACTUATOR - PA + GF
- BASE FRAME - PA + GF
- TERMINAL - BRASS SILVER PLATING

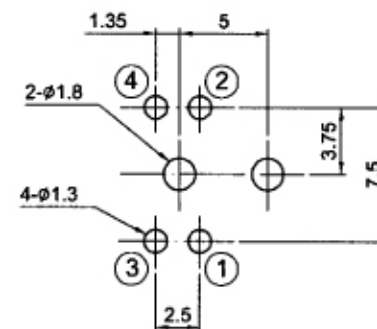
UNIT WEIGHT

- MLS - A □ □ : 1.2 ± 0.05 g / pcs
- MLS - B □ □ K : 1.4 ± 0.05 g / pcs

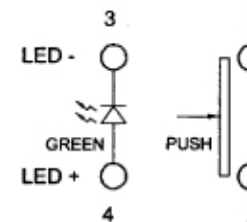
勝特力材料 886-3-5753170  
 勝特力电子(上海) 86-21-34970699  
 勝特力电子(深圳) 86-755-83298787  
[Http://www.100y.com.tw](http://www.100y.com.tw)



### P.C.B LAYOUT



### SCHEMATIC



1. RATING : 36V DC 200mA MAX .
2. CONTACT RESISTANCE : 40mΩ MAX .
3. INSULATION RESISTANCE : 500V DC , 100MΩ MIN .
4. OPERATING FORCE : 300±100gf .
5. OPERATING TEMPERATURE RANGE : -20°C~+70°C .
6. OPERATING LIFE : 10,000 CYCLES .

DIMENSION	TOLERANCE
BELOW 10mm	±0.3
10~100mm	±0.5
ABOVE 100mm	±0.8
ANGLE	±3°

DATE	DRAWN BY	CHECKED BY	APPROVAL BY
2005/07/20	OWEN		
UNIT:	SKIAGRAPHY:		
mm			
SYM	DATE	DESCRIPTION	REV.

TITLE:  
 MLS SERIES SEALED PUSH  
 BUTTON SWITCH WITH LED

PART NO:  
**MLS-BGK**

DWG NO:  
**MLS-BGK**