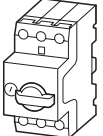
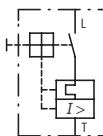
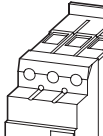


Max. motor rating AC-3					Rated unin- terrupted current	Setting range		Type Article no.	Std. pack
220 V	380 V	440 V	500 V	660 V		Overload release	Short-circuit release		
230 V	400 V			690 V	$I_n$ A	$I_r$ A	$I_{m1}$ A	Price See Price List	
240 V	415 V								
P	P	P	P	P					
kW	kW	kW	kW	kW					

Motor-protective circuit-breakers, type "1" and type "2" coordination

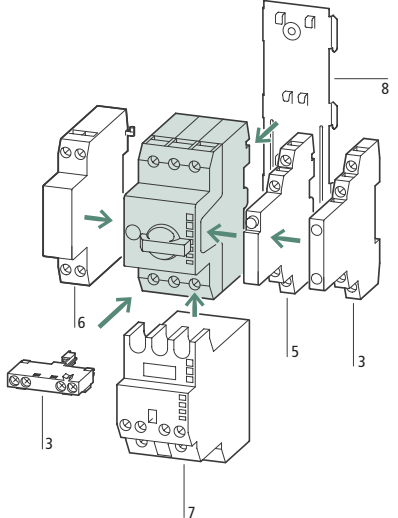
	-	-	-	-	0.06	0.16	0.1 - 0.16	2.2	PKZM0-0,16 072730	1 off
	-	0.06	0.06	0.06	0.12	0.25	0.16 - 0.25	3.5	PKZM0-0,25 072731	
	0.06	0.09	0.12	0.12	0.18	0.4	0.25 - 0.4	5.6	PKZM0-0,4 072732	
	0.09	0.12	0.18	0.25	0.25	0.63	0.4 - 0.63	8.8	PKZM0-0,63 072733	
	0.12	0.25	0.25	0.37	0.55	1	0.63 - 1	14	PKZM0-1 072734	
	0.25	0.55	0.55	0.75	1.1	1.6	1 - 1.6	22	PKZM0-1,6 072735	
	0.37	0.75	1.1	1.1	1.5	2.5	1.6 - 2.5	35	PKZM0-2,5 072736	
	0.75	1.5	1.5	2.2	3	4	2.5 - 4	56	PKZM0-4 072737	
	1.1	2.2	3	3	4	6.3	4 - 6.3	88	PKZM0-6,3 072738	
	2.2	4	4	4	7.5	10	6.3 - 10	140	PKZM0-10 072739	
	3	5.5	5.5	5.5	11	12	8 - 12	168	PKZM0-12 278486	
	4	7.5	9	9	12.5	16	10 - 16	224	PKZM0-16 046938	
	5.5	9	11	12.5	15	20	16 - 20	280	PKZM0-20 046988	
	5.5	12.5	12.5	15	22	25	20 - 25	350	PKZM0-25 046989	
	7.5	15	15	22	30	32	25 - 32	448	PKZM0-32 278489	

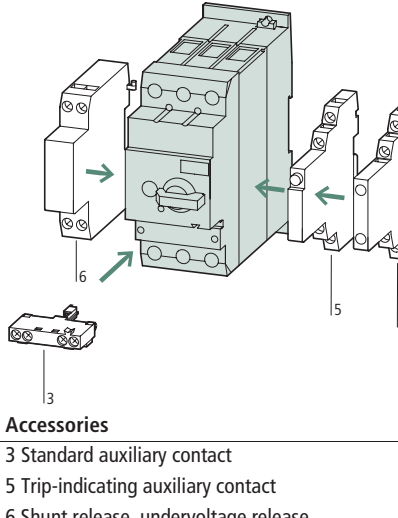
Motor-protective circuit-breakers, type "1" and type "2" coordination

	4	7.5	9	9	12.5	16	10 - 16	224	PKZM4-16 222350	1 off
	5.5	12.5	12.5	15	22	25	16 - 25	350	PKZM4-25 222352	
	7.5	15	17.5	22	22	32	25 - 32	448	PKZM4-32 222353	
	11	20	22	24	30	40	32 - 40	560	PKZM4-40 222354	
	14	25	30	30	45	50	40 - 50	700	PKZM4-50 222355	
	17	30	37	37	55	58	50 - 58	812	PKZM4-58 222394	
	18.5	34	37	45	55	65	55 - 63	882	PKZM4-63 222413	

勝特力材料 886-3-5753170  
勝特力电子(上海) 86-21-34970699  
勝特力电子(深圳) 86-755-83298787  
Http://www.100y.com.tw

Screw and springloaded terminals		Springloaded terminals		Std. pack	Notes
Type Article no.	Price See Price List	Type Article no.	Price See Price List		

PKZM0-0,16-SC 229828		PKZM0-0,16-C 229669		1 off	 <p><b>Accessories</b></p> <table border="1"> <thead> <tr> <th></th> <th>Page</th> </tr> </thead> <tbody> <tr> <td>3 Standard auxiliary contact</td> <td>a 8/15</td> </tr> <tr> <td>5 Trip-indicating auxiliary contact</td> <td>a 8/17</td> </tr> <tr> <td>6 Shunt release, undervoltage release</td> <td>a 8/17</td> </tr> <tr> <td>7 Contact module, high-capacity contact module</td> <td>a 8/19</td> </tr> <tr> <td>8 Clip plate</td> <td>a 8/24</td> </tr> </tbody> </table> <p>Single-phasing sensitivity to IEC/EN 60947-4-1, VDE 0660 Part 102 Can be snap-fit to IEC/EN 60715 top-hat rail with 7.5 or 15 mm height ⊕ PTB 02 ATEX 3151, see manual a 8/25</p>		Page	3 Standard auxiliary contact	a 8/15	5 Trip-indicating auxiliary contact	a 8/17	6 Shunt release, undervoltage release	a 8/17	7 Contact module, high-capacity contact module	a 8/19	8 Clip plate	a 8/24
	Page																
3 Standard auxiliary contact	a 8/15																
5 Trip-indicating auxiliary contact	a 8/17																
6 Shunt release, undervoltage release	a 8/17																
7 Contact module, high-capacity contact module	a 8/19																
8 Clip plate	a 8/24																
PKZM0-0,25-SC 229829		PKZM0-0,25-C 229670															
PKZM0-0,4-SC 229830		PKZM0-0,4-C 229671															
PKZM0-0,63-SC 229831		PKZM0-0,63-C 229672															
PKZM0-1-SC 229832		PKZM0-1-C 229673															
PKZM0-1,6-SC 229833		PKZM0-1,6-C 229674															
PKZM0-2,5-SC 229834		PKZM0-2,5-C 229675															
PKZM0-4-SC 229835		PKZM0-4-C 229676															
PKZM0-6,3-SC 229836		PKZM0-6,3-C 229677															
PKZM0-10-SC 229837		PKZM0-10-C 229678															
PKZM0-12-SC 278487		PKZM0-12-C 278488															
PKZM0-16-SC 229838		PKZM0-16-C 229679															

					 <p><b>Accessories</b></p> <table border="1"> <thead> <tr> <th></th> <th>Page</th> </tr> </thead> <tbody> <tr> <td>3 Standard auxiliary contact</td> <td>a 8/15</td> </tr> <tr> <td>5 Trip-indicating auxiliary contact</td> <td>a 8/17</td> </tr> <tr> <td>6 Shunt release, undervoltage release</td> <td>a 8/17</td> </tr> </tbody> </table> <p>Single-phasing sensitivity to IEC/EN 60947-4-1, VDE 0660 Part 102 Can be snap-fit to IEC/EN 60715 top-hat rail with 7.5 or 15 mm height ⊕ PTB 02 ATEX 3153, see manual a 8/25</p>		Page	3 Standard auxiliary contact	a 8/15	5 Trip-indicating auxiliary contact	a 8/17	6 Shunt release, undervoltage release	a 8/17
	Page												
3 Standard auxiliary contact	a 8/15												
5 Trip-indicating auxiliary contact	a 8/17												
6 Shunt release, undervoltage release	a 8/17												

Max. motor rating AC-3					Rated uninterrupted current	Setting range		Screw terminals Type Article no.	Std. pack
220 V	380 V	440 V	500 V	660 V		Overload release	Short-circuit release		
230 V	400 V			690 V					
240 V	415 V								
P	P	P	P	P	$I_u$	$I_r$	$I_m$		
kW	kW	kW	kW	kW	A	A	A		

Motor-protective circuit-breakers for starter combinations

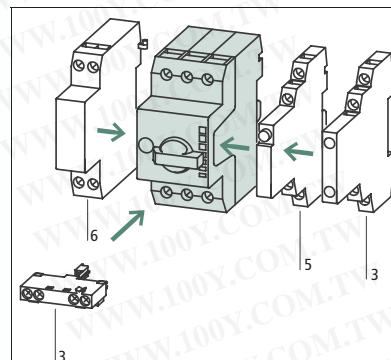
Short-circuit protective breaker without overload function

					0.06	0.16		2.2	PKM0-0,16 072720	1 off
	0.06	0.06	0.06	0.12	0.25		3.5	PKM0-0,25 072721		
0.06	0.09	0.12	0.12	0.18	0.4		5.6	PKM0-0,4 072722		
0.09	0.12	0.18	0.25	0.25	0.63		8.8	PKM0-0,63 072723		
0.12	0.25	0.25	0.38	0.55	1		14	PKM0-1 072724		
0.25	0.37	0.55	0.75	1.1	1.6		22	PKM0-1,6 072725		
0.37	0.75	1.1	1.1	1.5	2.5		35	PKM0-2,5 072726		
0.75	1.5	1.5	2.2	3	4		56	PKM0-4 072727		
1.1	2.2	3	3	4	6.3		88	PKM0-6,3 072728		
2.2	4	4	4	7.5	10		140	PKM0-10 072729		
3	5.5	5.5	5.5	11	12		168	PKM0-12 278490		
4	7.5	9	9	12.5	16		224	PKM0-16 044502	2 off	
5.5	9	11	12.5	15	20		280	PKM0-20 203594	1 off	
5.5	12.5	12.5	15	22	25		350	PKM0-25 044503	2 off	
7.5	15	15	22	30	32		448	PKM0-32 278491	1 off	

Transformer-protective circuit-breakers

					0.16	0.1 – 0.16	2.4	PKZM0-0,16-T 088907	1 off
					0.25	0.16 – 0.25	4.25	PKZM0-0,25-T 088908	
					0.4	0.25 – 0.4	6.8	PKZM0-0,4-T 088909	
					0.63	0.4 – 0.63	12	PKZM0-0,63-T 088910	
					1	0.63 – 1	20	PKZM0-1-T 088911	
					1.6	1 – 1.6	32	PKZM0-1,6-T 088912	
					2.5	1.6 – 2.5	50	PKZM0-2,5-T 088913	
					4	2.5 – 4	84	PKZM0-4-T 088914	
					6.3	4 – 6.3	141	PKZM0-6,3-T 088915	
					10	6.3 – 10	224	PKZM0-10-T 088916	
					12	8 – 12	224	PKZM0-12-T 278492	
					16	10 – 16	358	PKZM0-16-T 088917	
					20	16 – 20	380	PKZM0-20-T 088918	
					25	20 – 25	420	PKZM0-25-T 278493	

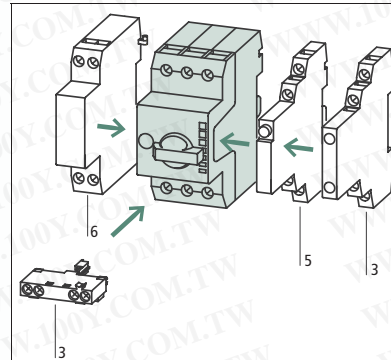
Notes



When using the PKM0 as short-circuit protection for motors with heavy starting duty, the rated operational current  $I_e$  must be over-dimensioned during engineering with the following factors:  
 CLASS 5 = 1.0  
 CLASS 10 = 1.0  
 CLASS 15 = 1.22  
 CLASS 20 = 1.41  
 CLASS 25 = 1.58  
 CLASS 30 = 1.73  
 CLASS 35 = 1.89  
 CLASS 40 = 2.0

Accessories	Page
3 Standard auxiliary contact	a 8/15
5 Trip-indicating auxiliary contact	a 8/17
6 Shunt releases, overvoltage release	a 8/17
Additional accessories	a 8/24

Can be snap-fitted to IEC/EN 60715 top-hat rail with 7.5 or 15 mm height  
 Assignment of the short-circuit protective breakers and contactors in "Fuseless motor-starter combinations" section.  
 An appropriate overload relay must be fitted to protect motors against overload.



Accessories	Page
3 Standard auxiliary contact	a 8/15
5 Trip-indicating auxiliary contact	a 8/17
6 Shunt release, undervoltage release	a 8/17

For the protection of transformers with a high inrush current  
 Cannot be combined with high-capacity contact module  
 Can be snap-fitted to IEC/EN 60715 top-hat rail with 7.5 or 15 mm height  
 Single-phasing sensitivity to IEC/EN 60947-4-1, VDE 0660 Part 102

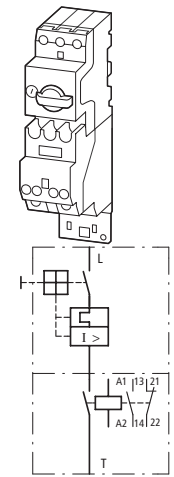
Moeller HPL0211-2004/2005

Moeller HPL0211-2004/2005

Max. motor rating					Rated uninterrupted current	Setting range	
AC-3		440 V	500 V	660 V 690 V		Overload release	Short-circuit release
220 V 230 V 240 V	380 V 400 V 415 V				$I_u$	$I_r$	$I_m$
P	P	P	P	P	A	A	
kW	kW	kW	kW	kW	A	A	

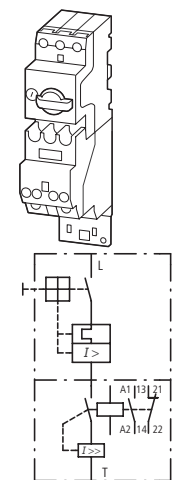
Compact starters, type "1" coordination

-	-	-	-	0.06	0.16	0.1 - 0.16	2.2
-	0.06	0.06	0.06	0.12	0.25	0.16 - 0.25	3.5
0.06	0.09	0.12	0.12	0.18	0.4	0.25 - 0.4	5.6
0.09	0.12	0.18	0.25	0.25	0.63	0.4 - 0.63	8.8
0.12	0.25	0.25	0.37	0.55	1	0.63 - 1	14
0.25	0.55	0.55	0.75	1.1	1.6	1 - 1.6	22
0.37	0.75	1.1	1.1	1.5	2.5	1.6 - 2.5	35
0.75	1.5	1.5	2.2	3	4	2.5 - 4	56
1.1	2.2	3	3	4	6.3	4 - 6.3	88
2.2	4	4	4	-	10	6.3 - 10	140



High-capacity compact starter, classification type "2"

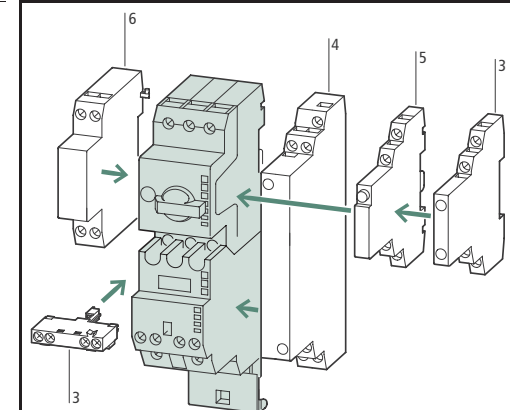
-	-	-	-	0.06	0.16	0.1 - 0.16	2.2
-	0.06	0.06	0.06	0.12	0.25	0.16 - 0.25	3.5
0.06	0.09	0.12	0.12	0.18	0.4	0.25 - 0.4	5.6
0.09	0.12	0.18	0.25	0.25	0.63	0.4 - 0.63	8.8
0.12	0.25	0.25	0.37	0.55	1	0.63 - 1	14
0.25	0.55	0.55	0.75	1.1	1.6	1 - 1.6	22
0.37	0.75	1.1	1.1	1.5	2.5	1.6 - 2.5	35
0.75	1.5	1.5	2.2	3	4	2.5 - 4	56
1.1	2.2	3	3	4	6.3	4 - 6.3	88
2.2	4	4	4	-	10	6.3 - 10	140



Type Article no.	Price See Price List	Std. pack	Notes
------------------	----------------------	-----------	-------

PKZM0-0,16/SE00-11(230V50HZ,240V60) 050286		1 off	
PKZM0-0,25/SE00-11(230V50HZ,240V60) 051145			
PKZM0-0,4/SE00-11(230V50HZ,240V60HZ) 052704			
PKZM0-0,63/SE00-11(230V50HZ,240V60) 053010			
PKZM0-1/SE00-11(230V50HZ,240V60HZ) 053430			
PKZM0-1,6/SE00-11(230V50HZ,240V60HZ) 053439			
PKZM0-2,5/SE00-11(230V50HZ,240V60HZ) 053448			
PKZM0-4/SE00-11(230V50HZ,240V60HZ) 053457			
PKZM0-6,3/SE00-11(230V50HZ,240V60HZ) 053466			
PKZM0-10/SE00-11(230V50HZ,240V60HZ) 058835			

PKZM0-0,16/S00-11(230V50HZ,240V60HZ) 044520		1 off	
PKZM0-0,25/S00-11(230V50HZ,240V60HZ) 044529			
PKZM0-0,4/S00-11(230V50HZ,240V60HZ) 044538			
PKZM0-0,63/S00-11(230V50HZ,240V60HZ) 044547			
PKZM0-1/S00-11(230V50HZ,240V60HZ) 044556			
PKZM0-1,6/S00-11(230V50HZ,240V60HZ) 044565			
PKZM0-2,5/S00-11(230V50HZ,240V60HZ) 044574			
PKZM0-4/S00-11(230V50HZ,240V60HZ) 044583			
PKZM0-6,3/S00-11(230V50HZ,240V60HZ) 044592			
PKZM0-10/S00-11(230V50HZ,240V60HZ) 044601			



Accessories	Page
3 Standard auxiliary contact	a 8/14
4 Standard auxiliary contact for (high-capacity) compact starters	a 8/14
5 Trip-indicating auxiliary contact	a 8/16
6 Shunt release, undervoltage release	a 8/16

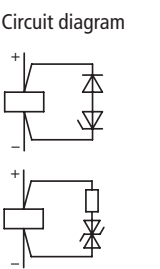
Single-phasing sensitivity to IEC/EN 60947-4-1, VDE 0660 Part 102  
Can be snap fitted on one or two IEC/EN 60715 top-hat rails, with 7.5 or 15 mm height at a spacing of 75/100/125 mm

(High-capacity) compact starter DC version: suppressor always integrated

Coil voltage:  
12 V DC  
24 V DC  
48 V DC  
60 V DC

110 V DC  
220 V DC

1 M/1 B auxiliary contact built into the (high-capacity) contact module



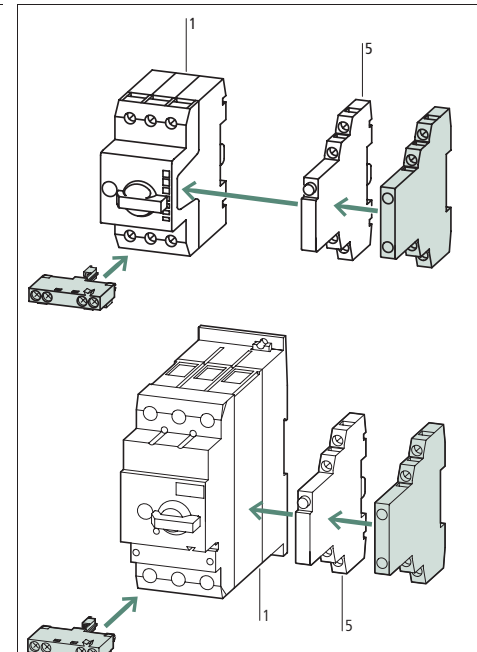


Moeller HPL0211-2004/2005

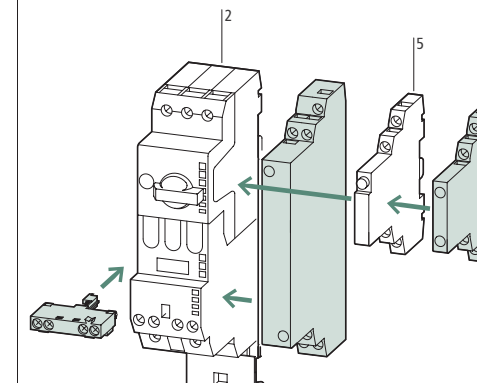
Moeller HPL0211-2004/2005

Contacts	Contact sequence	Contact sequence	For use with	Type suffix Article no. for ordering with basic unit	Price See Price List	Std. pack
M = Make B = Break						
<b>Standard auxiliary contact</b>						
for motor-protective circuit-breaker and (high-capacity) compact starter						
	1 M 1 B		Screw terminals	PKZM01 PKZM0 PKZM4 PKZM0-T PKM0	<b>+NHI11-PKZO</b> 073233	1 off
	1 M 1 B		Spring-loaded terminals		<b>+NHI11-PKZO-C</b> 232151	5 off
	1 M 2 B		Screw terminals		<b>+NHI12-PKZO</b> 073234	1 off
	2 M 1 B				<b>+NHI21-PKZO</b> 073235	
	1 M 1 B				<b>+NHI-E-11-PKZO</b> 082883	
	1 M				<b>+NHI-E-10-PKZO</b> 082885	
	1 M		Spring-loaded terminals		<b>+NHI-E-10-PKZO-C</b> 232152	5 off
	- 1 B		Spring-loaded terminals		<b>+NHI-E-01-PKZO-C</b> 232153	5 off
	2 x 1 M 2 x 1 B		Screw terminals	PKZM0/S(E)	<b>+NHI2-115-PKZO</b> 073236	1 off

Type Article no. when ordered separately	Price See Price List	Std. pack	Notes
<b>NHI11-PKZO</b> 072896		5 off	Can be fitted on the right on: motor-protective circuit-breaker, transformer-protective circuit-breaker, motor-protective circuit-breaker for starter combinations and (high performance) compact starters  Can be combined with: AGM, NHI-E-... trip-indicating auxiliary contact  Cannot be combined with: NHI2-115-PKZO standard auxiliary contact
<b>NHI11-PKZO-C</b> 229680			
<b>NHI12-PKZO</b> 072895			
<b>NHI21-PKZO</b> 072894			
<b>NHI-E-11-PKZO</b> 082882			Can be fitted to motor-protective circuit-breakers, transformer-protective circuit-breakers, motor-protective circuit-breakers for starter combinations from serial number. 01. 45 mm (PKZM0 and PKZM01) or 55 mm (PKZM4) widths of the motor-protective circuit-breakers remain unchanged.
<b>NHI-E-10-PKZO</b> 082884			
<b>NHI-E-10-PKZO-C</b> 229681			
<b>NHI-E-01-PKZO-C</b> 229682			
<b>NHI2-115-PKZO</b> 072897		2 off	Can be fitted to the right of: (High-capacity) compact starters  Can be combined with: NHI-E-... Cannot be combined with: NHI...-PKZO standard auxiliary contact AGM2-...PKZO trip-indicating auxiliary contact  Differential status indication of the main contacts of motor-protective circuit-breaker and (high-capacity) contact module



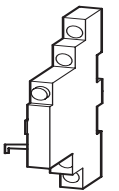
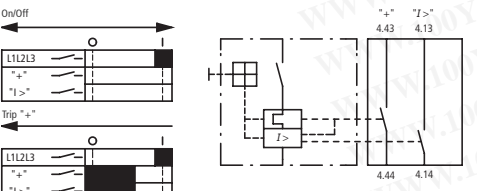

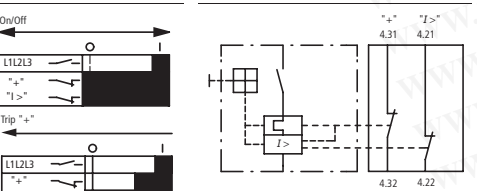

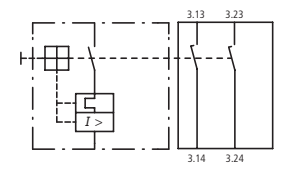
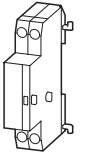
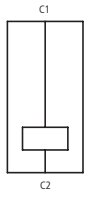
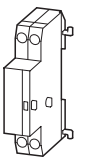
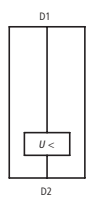
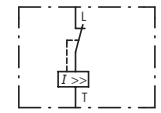
Accessories	Page
1 Motor-protective circuit-breakers	a 8/8
5 Trip-indicating auxiliary contact	a 8/16
Additional accessories	a 8/24



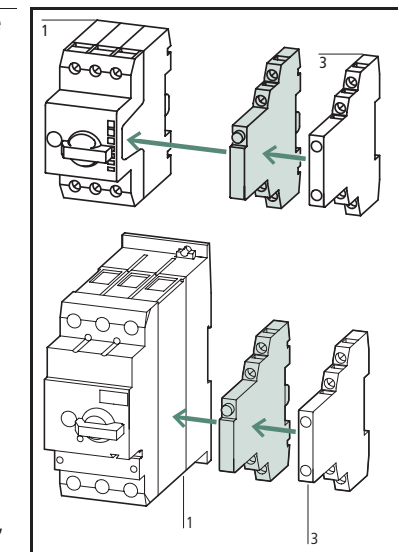
Accessories	Page
2 Compact starter, high-capacity compact starter	a 8/57
5 Trip-indicating auxiliary contact	a 8/16
Additional accessories	a 8/24

Motor-protective circuit-breakers

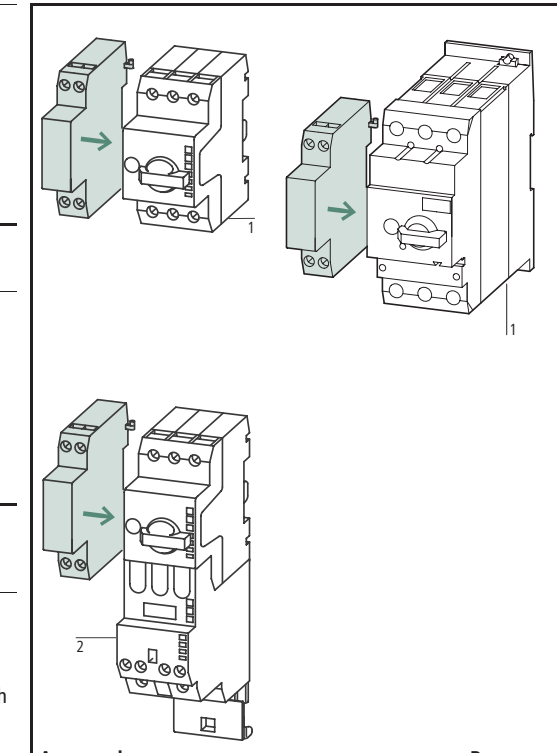
Motor-protective circuit-breakers

Contacts	Contact sequence	Contact sequence	For use with	Type suffix Article no. for ordering with basic unit	Price See Price List	Std. pack
M = Make B = Break						
<b>Trip-indicating auxiliary contact</b> for motor-protective circuit-breaker and (high-capacity) compact starter						
	2 x 1 M		PKZM0 PKZM4 PKZM0-T PKM0 PKZM01	<b>+AGM2-10-PKZ0</b> 073237		1 off
	2 x 1 B		PKZM0 PKZM4 PKZM0-T PKM0 PKZM01	<b>+AGM2-01-PKZ0</b> 073238		1 off
<b>Early-make auxiliary contacts</b> for motor-protective circuit-breaker and (high-capacity) compact starter						
	2 M		PKZM0 PKZM0-T PKM0	<b>+VHI20-PKZ0</b> 207792		1 off
			PKZM01	<b>+VHI20-PKZ01</b> 278494		5 offk
<b>Shunt release</b>						
	Screw terminals		PKZM0 PKZM4 PKZM0-T PKM0 PKZM01	<b>+A-PKZ0(230V50HZ)</b> 073302		1 off
	Spring-loaded terminals			<b>+A-PKZ0-C(230V50HZ)</b> 232155		2 off
	Screw terminals			<b>+A-PKZ0(24VDC)</b> 073306		1 off
	Spring-loaded terminals			<b>+A-PKZ0-C(24VDC)</b> 232156		2 off
<b>Undervoltage release</b>						
	Screw terminals		PKZM0 PKZM4 PKZM0-T PKM0 PKZM01	<b>+U-PKZ0(230V50HZ)</b> 073250		1 off
	Spring-loaded terminals			<b>+U-PKZ0-C(230V50HZ)</b> 232154		2 off
<b>Current limiter</b> To enhance the switching capacity of non-inherently safe PKZM0-16, -20, -25 motor-protective circuit-breakers to 150 kA/440 V						
			PKZM0 PKZM4 PKZM01			

Type Article no. when ordered separately	Price See Price List	Std. pack	Notes
<b>AGM2-10-PKZ0</b> 072898		2 off	Can be fitted to the right of motor-protective circuit-breakers and (high-capacity) compact starters.  Can be combined with: Standard auxiliary contact NHI11-PKZ0 NHI12-PKZ0 NHI21-PKZ0 NHI-E-...
<b>AGM2-01-PKZ0</b> 072899		2 off	Cannot be combined with: Standard auxiliary contact NHI2-11S-PKZ0  Differential indication: a) General trip indication (overload) b) Short-circuit trip  Local short-circuit indication by red indicator, manually resettable.
<b>VHI20-PKZ0</b> 203595		2 off	Can be fitted to front on motor-protective circuit-breaker, 45 mm width of the motor-protective circuit-breaker remains unchanged. For early energization of undervoltage release, e.g. in Emergency-Stop circuits to EN 60204.
<b>VHI20-PKZ01</b> 278495		5 off	
<b>A-PKZ0(230V50HZ)</b> 073187		2 off	Can be fitted to the left of: Motor-protective circuit-breaker and (high-capacity) compact starter Cannot be combined with: U-PKZ0 undervoltage release DC: Intermittent operation 5 s
<b>A-PKZ0-C(230V50HZ)</b> 229684		2 off	
<b>A-PKZ0(24VDC)</b> 073200		2 off	
<b>A-PKZ0-C(24VDC)</b> 229685		2 off	
<b>U-PKZ0(230V50HZ)</b> 073135		2 off	Can be fitted to the left of: Motor-protective circuit-breaker and (high-capacity) compact starter Cannot be combined with: A-PKZ0 shunt release When combined with circuit-breaker, can be used as Emergency-Stop device to IEC/EN 60204.
<b>U-PKZ0-C(230V50HZ)</b> 229683		2 off	
<b>CL-PKZ0</b> 082881		1 off	Max. rated operational voltage $U_e = 690$ V, rated uninterrupted current $I_u = 63$ A Can be used for individual and group protection For group protection and in combination with PKZM4, order additional BK25/3 incoming terminal if required. Mounting next to or behind the motor-protective circuit-breaker. PKZM4: 16 – 63 A: 100 kA/400 V PKZM4: 16 – 63 A: 10 kA/690 V



Accessories	Page
1 Motor-protective circuit-breakers	a 8/8
3 Standard auxiliary contact	a 8/14



Accessories	Page
1 Motor-protective circuit-breakers	a 8/8
2 Compact starters, (high-capacity) compact starters	a 8/57
Further actuating voltages	a 8/57

Motor-protective circuit-breakers

Motor-protective circuit-breakers





Moeller HPL0211-2004/2005

Moeller HPL0211-2004/2005

Max. motor rating AC-3		Auxiliary contacts M = Make B = Break		For use with
220 V	380 V	440 V	500 V	
230 V	400 V			
240 V	415 V			
P	P	P	P	
kW	kW	kW	kW	

Contact module									
AC or DC operated									PKZM0
		2.2	4	4	4	1 M	1 B		
		2.2	4	4	4	1 M	1 B		
		2.2	4	4	4	2 M	-		
		2.2	4	4	4	2 M	-		

High-capacity contact modules, with current limiting contact system									
AC or DC operated									PKZM0
		2.2	4	4	4	1 M	1 B		
		2.2	4	4	4	1 M	1 B		
		2.2	4	4	4	2 M	-		
		2.2	4	4	4	2 M	-		

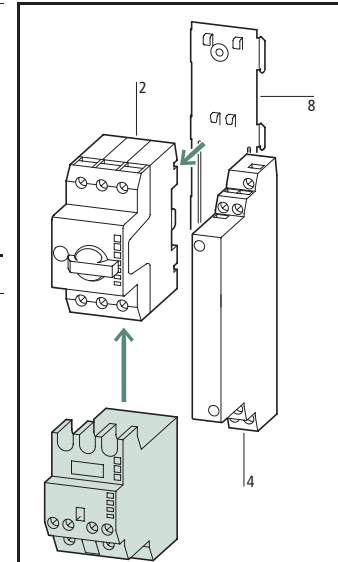
Suppressor for (high-capacity) contact modules in AC version									
RC suppressor		24 - 48 V AC	-	-	-	-	-	-	S(E)00-...-PKZ0(...)
		110 - 250 V AC	-	-	-	-	-	-	S(E)00-...-PKZ0(...)
Varistor suppressor		24 - 48 V AC	-	-	-	-	-	-	S(E)00-...-PKZ0
		110 - 250 V AC	-	-	-	-	-	-	
		380 - 415 V AC	-	-	-	-	-	-	

Base for separate mounting of the (high-capacity) contact module									
									S(E)00-PKZ0(...) HI11-S/EZ-PKZ0

Mechanical interlock									
									S(E)00-PKZ0(...)

Auxiliary contacts for (high-capacity) contact module									
						1 M	1 B		

Type Article no.	Std. pack	Price See Price List	Notes
SE00-11-PKZ0(230V50HZ,240V60HZ) 063321	1 off		Contact module can be fitted to motor-protective circuit-breaker, profiles match.
SE00-11-PKZ0(24VDC) 072823			Clip plate for snap-fitting the combination must be ordered separately (required as standard).
SE00-20-PKZ0(230V50HZ,240V60HZ) 063329			Can be used in reversing starter combinations by the addition of a mechanical interlock.
SE00-20-PKZ0(24VDC) 072817			Contact module for separate mounting. Can be snap-fitted to IEC/EN 60715 top-hat rail with 7.5 or 15 mm height.
S00-11-PKZ0(230V50HZ,240V60HZ) 063338	1 off		High-capacity contact module can be fitted to motor-protective circuit-breaker, profiles match.
S00-11-PKZ0(24VDC) 072747			Clip plate for snap-fitting the combination must be ordered separately (required as standard).
S00-20-PKZ0(230V50HZ,240V60HZ) 063347			Can be used in reversing starter combinations by the addition of a mechanical interlock.
S00-20-PKZ0(24VDC) 072741			High-capacity contact module for separate mounting. Can be snap-fitted to IEC/EN 60715 top-hat rail with 7.5 or 15 mm height.
RCSPKZ048 063976	10 off		(High-capacity) contact module, DC version: Suppressor is fitted as standard
RCSPKZ0250 063975			12 V DC, 24 V DC, 48 V DC 110 V DC, 220 V DC and 60 V DC
VGSPKZ48 063974			
VGSPKZ250 063973			
VGSPKZ415 063972			
EZ-PKZ0 072901	1 off		For retrofitting the (high-capacity) contact module as a stand-alone switching device. Can be snap-fitted to the IEC/EN 60715 top-hat rail, height 7.5 or 15 mm.
MV-PKZ0 072892	2 off		For mechanically interlocking two separately mounted (high-capacity) contact modules or two (high-capacity) compact starters.
HI11-S/EZ-PKZ0 072893	5 off		Cannot be combined with NHI...-PKZ0 or AGM...-PKZ0.



Accessories	Page
2 Motor-protective circuit-breakers	a 8/8
4 Standard auxiliary contact	a 8/14
8 Clip plate	a 8/24
Further actuating voltages	a 8/57

勝特力材料 886-3-5753170  
勝特力电子(上海) 86-21-34970699  
勝特力电子(深圳) 86-755-83298787  
Http://www.100y.com.tw