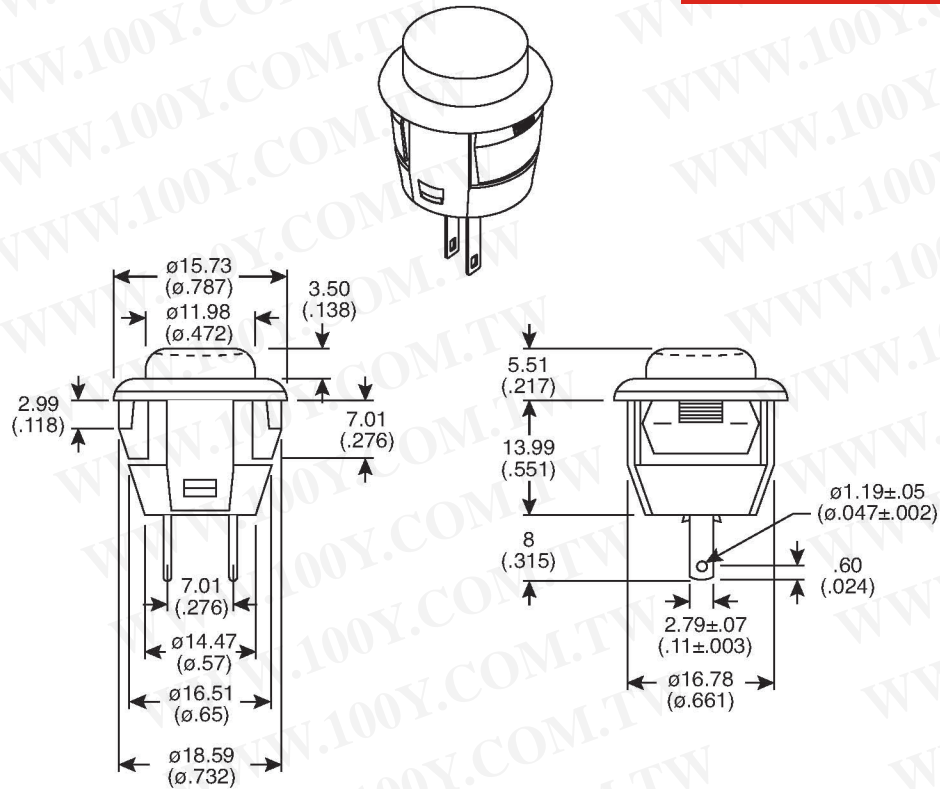


Dimensions: mm (in.)

勝特力材料 886-3-5753170  
 勝特力电子(上海) 86-21-34970699  
 勝特力电子(深圳) 86-755-83298787  
[Http://www.100y.com.tw](http://www.100y.com.tw)



**Electrical Specifications:**

- Rating: 3A/125VAC
- Contact resistance: 1A/2.5VDC 20m $\Omega$  or less
- Insulation resistance: 500VDC 100M $\Omega$  or more
- Dielectric Strength: 1000VAC 1 min.
- Electrical life: 10,000 cycles

**Mechanical Specifications:**

- Circuit: 2P (SPST)
- Mounting hole:  $\phi .701 \pm .003$ "
- Acceptable panel thickness: .028~.100"
- Mechanical life: 30,000 cycles

**Materials:**

- Color: 10PA005 - red, 107-DS412W - white
- Net weight: gram/piece: 4.2g
- Contact: Copper
- Contact plate: Silver

Pushbutton Switches  
 10PA005; 107-DS412W

