

Tactile Switch B3S

Surface Mount Tactile Switch for High-Density Packaging

- Sealed construction allows immersion-cleaning IP64 (IEC529) of the PC board with the tactile switches mounted and soldered
- Ground terminal available to protect against static electricity
- Ideal for applications such as audio, office, and communications equipment, measuring instruments, industrial robots, VCRs, TVs, and vending machines
- Tape packaging style also available: contact OMRON for details
- RoHS Compliant



Ordering Information

| Switch height x pitch | Operating force | Part number | | | |
|-----------------------|------------------------|-------------------------|---------------|----------------------|---------------|
| | | Without ground terminal | | With ground terminal | |
| | | Bags | Embossed Tape | Bags | Embossed Tape |
| 4.3 x 9.0 mm | General-purpose: 160 g | B3S-1000 | B3S-1000P | B3S-1100 | B3S-1100P |
| | High-force: 230 g | B3S-1002 | B3S-1002P | B3S-1102 | B3S-1102P |

Important Note: Switches cannot be water-washed.

Specifications

■ Characteristics

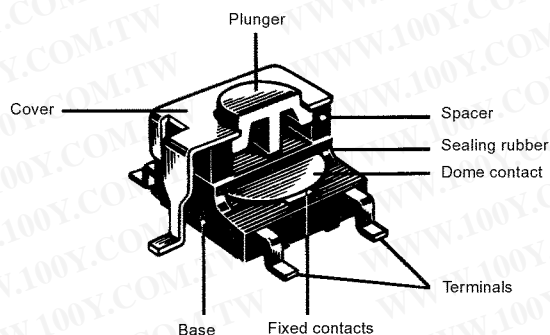
| | | |
|--------------------------------|-------------------------------|--|
| Switching capacity | | 50 mA 24 VDC (resistive load) |
| Contact form | | SPST-NO |
| Permissible load | | 1 mA 5 VDC min. (resistive load) |
| Contact resistance | | 100 MΩ max. |
| Insulation resistance | | 100 MΩ min. (at 250 VDC) |
| Dielectric strength | | 500 VAC, 50/60 Hz for 1 minute |
| Bounce time | | 5 ms max. |
| Vibration | Malfunction durability | 10 to 55 Hz, 1.5-mm double amplitude |
| Shock | Mechanical durability | 1,000 m/s ² (approx. 100 G) |
| | Malfunction durability | 100 m/s ² (approx. 10 G) |
| Ambient temperature | | -25° to 70°C (with no icing) |
| Humidity | | 35% to 85% RH |
| Service life | General-purpose type | 500,000 operations min. |
| | High-force type | 300,000 operations min. |
| [Mechanical/electrical] | | |
| Weight | | Approx. 0.30 g |

Note: Data shown are of initial value.

Operating Characteristics — B3S-1□□□ Series

| Characteristics | General-purpose | High-force |
|---------------------------|---------------------------|---------------------------|
| Operating force (OF) max. | 160 g | 230 g |
| Release force (RF) min. | 20 g | 50 g |
| Pretravel (PT) | $0.25 +^{0.2}/_{-0.1}$ mm | $0.25 +^{0.2}/_{-0.1}$ mm |

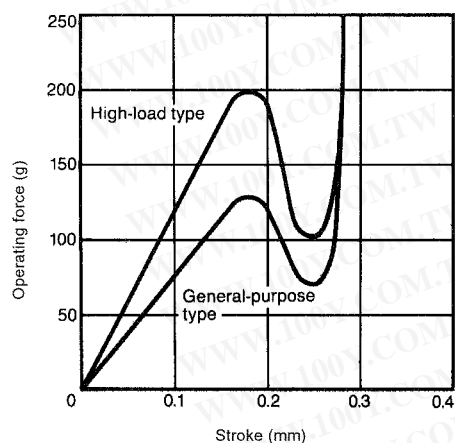
Construction



勝特力材料 886-3-5753170
 勝特力电子(上海) 86-21-54151736
 勝特力电子(深圳) 86-755-83298787
[Http://www.100y.com.tw](http://www.100y.com.tw)

Engineering Data

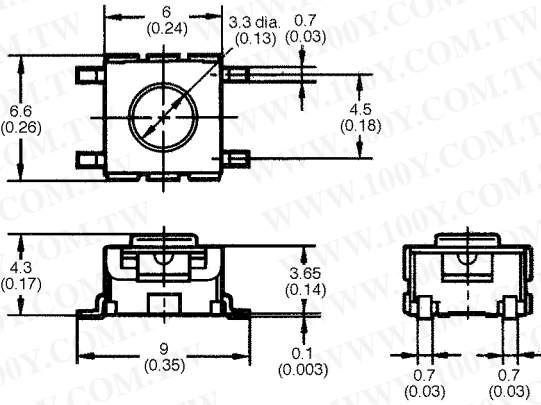
Operating Force vs. Stroke (Typical Example)



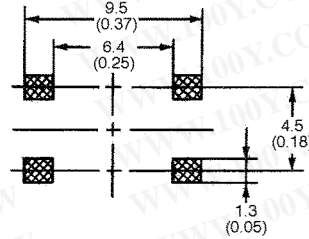
Dimensions

Unit: mm (inch)

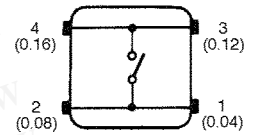
■ B3S-1000, B3S-1002



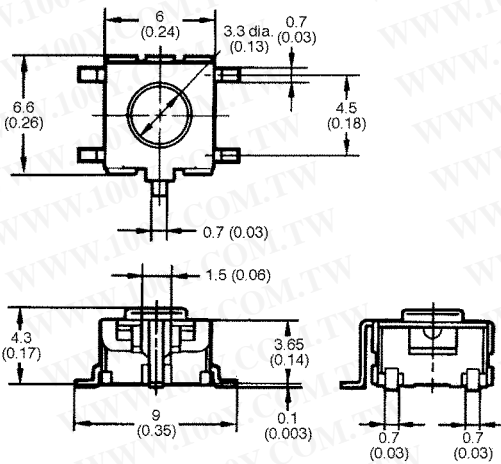
Footprint (top view)



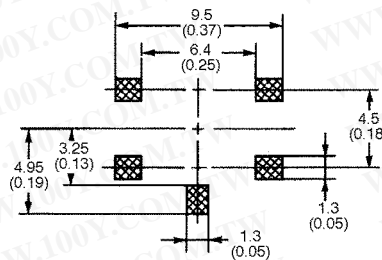
Terminal arrangement/Internal connection (top view)



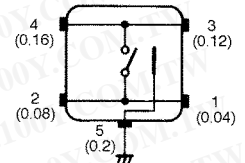
■ B3S-1100, B3S-1102



Footprint (top view)



Terminal arrangement/Internal connection (top view)



■ Tape Packaging Dimensions

