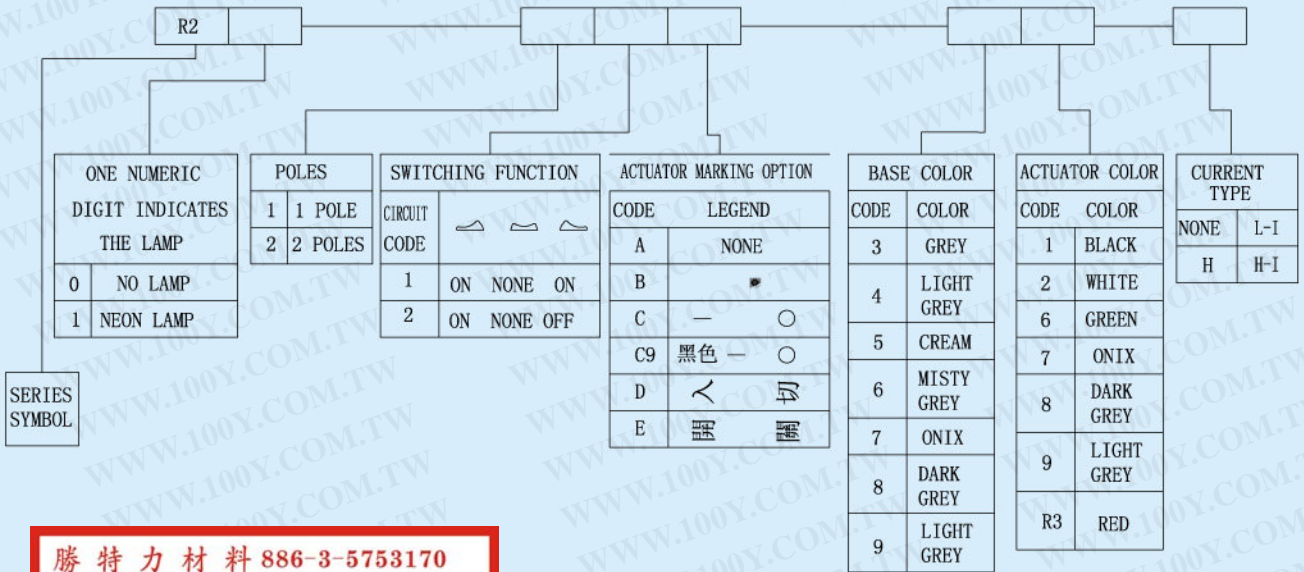


APPROVED

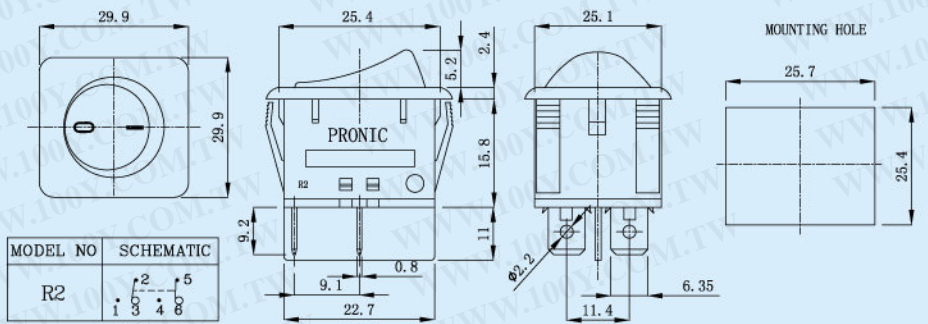
SPECIFICATION

Contact Rating	:15A 125VAC 10A 250VAC (VA) (S)	Withstand Voltage	:1,000 VAC-1 minute
Contact Resistance	:50 milliohms max.	Life Expectancy	:10,000 Cycles
Insulation Resistance	:500 megohms min. 500VDC	Operating Force	:750±200gf



勝特力材料 886-3-5753170
 勝特力电子(上海) 86-21-34970699
 勝特力电子(深圳) 86-755-83298787
[Http://www.100y.com.tw](http://www.100y.com.tw)

R20-22C-62



R21-22C-36

