

勝特力材料 886-3-5753170
 勝特力电子(上海) 86-21-54151736
 勝特力电子(深圳) 86-755-83298787
[Http://www.100y.com.tw](http://www.100y.com.tw)

SPECIFICATION

CONTACT RATING: 15A 250VAC (R R)

10A 250VAC (A @ S)

INITIAL CONTACT RESISTANCE: 50 Milliohms MAX.

INSULATION RESISTANCE: 100 Megohms Min. 500VDC

WITHSTAND VOLTAGE: 2,000 VAC-1 MINUTE.

APPROVAL FILE No.

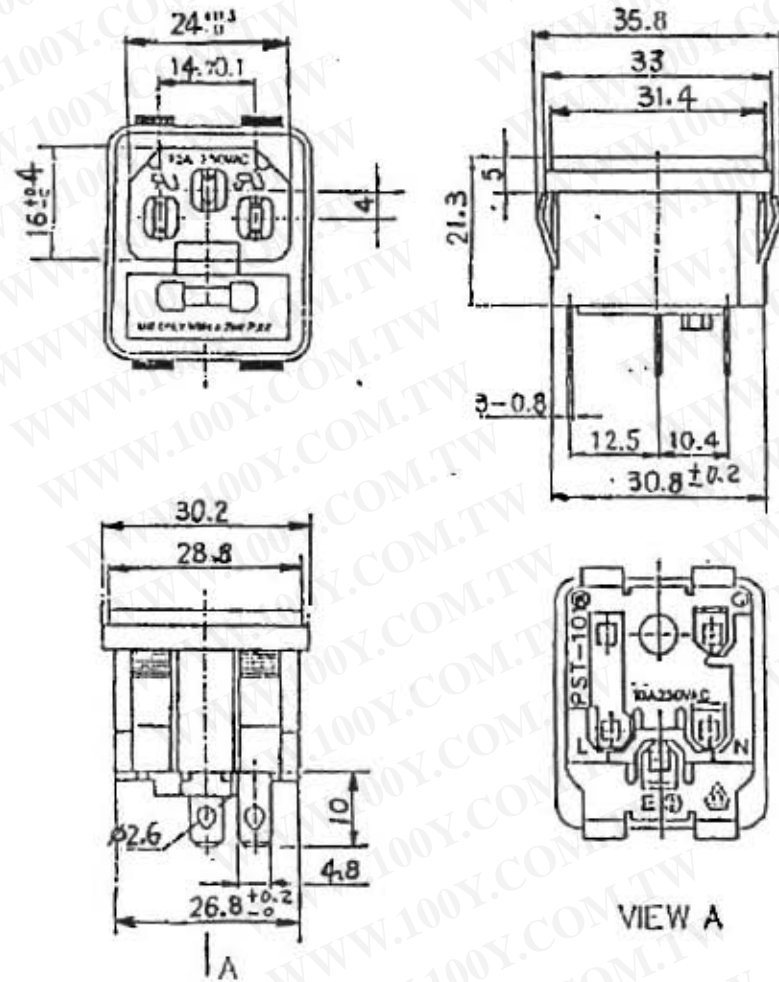
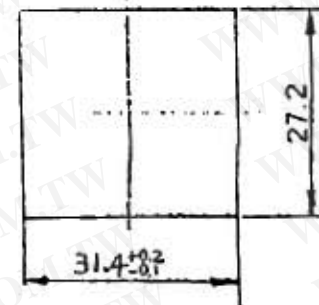
R R : FILE No. E188311

A : FILE No. 117352

@ : FILE No. 2003010204063001

S : FILE No. 9804165/01

MOUNTING HOLE



NO.	DESCRIPTION	QTY	MATERIAL	SPECIFICATION	REMARK
		SCALE		PROJ	ITEM NO. PST-101F
		UNIT	MM		TITLE SOCKET
					DRAWING NO.

DATE	DRAWG BY	REVISED	
------	----------	---------	--