



CONTACTOR, AC-3, 4KW/400V, 1NO+1NC,
AC 220V 50/60HZ, 3-POLE,
SZ S0 SCREW TERMINAL

勝特力材料 886-3-5753170
 勝特力电子(上海) 86-21-34970699
 勝特力电子(深圳) 86-755-83298787
[Http://www.100y.com.tw](http://www.100y.com.tw)

General technical data:

product brand name		SIRIUS
Size of the contactor		S0
Product extension		
• auxiliary switch		Yes
• function module for communication		No
Protection class IP / on the front		IP20
Protection against electrical shock		finger-safe
Degree of pollution		3
Installation altitude / at a height over sea level / maximum	m	2,000
Ambient temperature		
• during storage	°C	-55 ... +80
• during operating	°C	-25 ... +60
Shock resistance		
• at rectangular impulse		
• at AC		7,5g / 5 ms, 4,7g / 10 ms
• at sine pulse		
• at AC		11,8g / 5 ms, 7,4g / 10 ms
Impulse voltage resistance / rated value	kV	6
Insulation voltage / rated value	V	690

Maximum permissible voltage for protective separation / between coil and main contacts / in accordance with EN 60947-1	V	400
Mechanical operating cycles as operating time		
• of the contactor / typical		10,000,000
• of the contactor with added auxiliary switch block / typical		10,000,000
• of the contactor with added electronics-compatible auxiliary switch block / typical		5,000,000
Main circuit:		
Number of NC contacts / for main contacts		0
Number of NO contacts / for main contacts		3
Connectable conductor cross-section / in main circuit		
• at AC-1		
• at 40 °C / minimum permissible	m ²	10
• at 60 °C / minimum permissible	m ²	10
Operating current		
• at AC-1 / up to 690 V		
• at 40 °C ambient temperature / rated value	A	40
• at 60 °C ambient temperature / rated value	A	35
• at AC-2 / at 400 V / rated value	A	9
• at AC-3		
• at 400 V / rated value	A	9
• at 500 V / rated value	A	9
• at 690 V / rated value	A	9
• at AC-4 / at 400 V / rated value	A	8.5
Operating current		
• with 1 current path / at DC-1		
• at 24 V / rated value	A	35
• at 110 V / rated value	A	4.5
• at 220 V / rated value	A	1
• at 440 V / rated value	A	0.4
• at 600 V / rated value	A	0.25
• with 2 current paths in series / at DC-1		
• at 24 V / rated value	A	35
• at 110 V / rated value	A	35
• at 220 V / rated value	A	5
• at 440 V / rated value	A	1
• at 600 V / rated value	A	0.8
• with 3 current paths in series / at DC-1		
• at 24 V / rated value	A	35
• at 110 V / rated value	A	35

• at 220 V / rated value	A	35
• at 440 V / rated value	A	2.9
• at 600 V / rated value	A	1.4
Operating current		
• with 1 current path / at DC-3 / at DC-5		
• at 24 V / rated value	A	20
• at 110 V / rated value	A	2.5
• at 220 V / rated value	A	1
• at 440 V / rated value	A	0.09
• at 600 V / rated value	A	0.06
• with 2 current paths in series / at DC-3 / at DC-5		
• at 24 V / rated value	A	35
• at 110 V / rated value	A	15
• at 220 V / rated value	A	3
• at 440 V / rated value	A	0.27
• at 600 V / rated value	A	0.16
• with 3 current paths in series / at DC-3 / at DC-5		
• at 24 V / rated value	A	35
• at 110 V / rated value	A	35
• at 220 V / rated value	A	10
• at 440 V / rated value	A	0.6
• at 600 V / rated value	A	0.6
Service power		
• at AC-1 / at 230 V / rated value	kW	13.3
• at AC-1 / at 400 V / rated value	kW	23
• at AC-1 / at 690 V / rated value	kW	40
• at AC-2		
• at 400 V / rated value	kW	4
• at AC-3		
• at 230 V / rated value	kW	2.2
• at 400 V / rated value	kW	4
• at 690 V / rated value	kW	7.5
• at AC-4		
• at 400 V / rated value	kW	4
Thermal short-time current / restricted to 10 s	A	80
Active power loss / at AC-3 / at 400 V / with rated Operating current value / per conductor	W	0.4
Off-load operating frequency		
• at AC	1/h	5,000
Frequency of operation		

- at AC-1 / according to IEC 60947-6-2
- at AC-2 / according to IEC 60947-6-2
- at AC-3 / according to IEC 60947-6-2
- at AC-4 / according to IEC 60947-6-2

1/h	1,000
1/h	1,000
1/h	1,000
1/h	300

Control circuit/ Control:

Type of voltage / of the controlled supply voltage

AC

Control supply voltage

- at 50 Hz / at AC / rated value
- at 60 Hz / at AC / rated value

V	220
V	220

operating range factor control supply voltage rated value / of the magnet coil

- at 50 Hz / for AC
- at 60 Hz / for AC

0.8 ... 1.1
0.85 ... 1.1

Apparent pull-in power / of the solenoid / for AC

V-A 68

Apparent holding power / of the solenoid / for AC

V-A 7.9

Inductive power factor

- with the pull-in power of the coil
- with the pull-in power of the coil

0.82
0.25

Closing delay

- at AC

ms 9 ... 38

Opening delay

- at AC

ms 4 ... 16

Arcing time

ms 10 ... 10

Residual current / of electronics / for control with signal <0>

- at 230 V / with AC / maximum permissible
- at 24 V / with DC / maximum permissible

mA 6
mA 16

Auxiliary circuit:

Contact reliability / of the auxiliary contacts

1 faulty switching per 100 million (17 V, 1 mA)

Number of NC contacts / for auxiliary contacts / instantaneous switching

1

Number of NO contacts / for auxiliary contacts / instantaneous switching

1

Operating current

- at AC-12 / maximum
- at AC-15
 - at 230 V / rated value
 - at 400 V / rated value
 - at 500 V / rated value
 - at 690 V / rated value

A	10
A	10
A	3
A	2
A	1

勝特力材料 886-3-5753170
 勝特力电子(上海) 86-21-34970699
 勝特力电子(深圳) 86-755-83298787
[Http://www.100y.com.tw](http://www.100y.com.tw)

Operating current / at DC-12

- at 24 V / rated value
- at 48 V / rated value
- at 60 V / rated value
- at 110 V / rated value
- at 125 V / rated value
- at 220 V / rated value
- at 440 V / rated value
- at 600 V / rated value

A	10
A	6
A	6
A	3
A	2
A	1
A	0.3
A	0.15

Operating current / at DC-13

- at 24 V / rated value
- at 48 V / rated value
- at 60 V / rated value
- at 110 V / rated value
- at 125 V / rated value
- at 220 V / rated value
- at 440 V / rated value
- at 600 V / rated value

A	10
A	2
A	2
A	1
A	0.9
A	0.3
A	0.14
A	0.1

UL/CSA ratings:

yielded mechanical performance (hp)

- for single-phase squirrel cage motors
 - at 110/120 V / rated value
 - at 230 V / rated value
- for three-phase squirrel cage motors
 - at 200/208 V / rated value
 - at 220/230 V / rated value
 - at 460/480 V / rated value
 - at 575/600 V / rated value

hp	1
hp	1
hp	2
hp	3
hp	5
hp	7.5

Operating current (FLA) / for three-phase squirrel cage motors

- at 480 V / rated value
- at 600 V / rated value

A	7.6
A	9

Contact rating designation / for auxiliary contacts / according to UL

A600 / Q600

Short-circuit:

Design of the fuse link

- for short-circuit protection of the auxiliary switch / required
- for short-circuit protection of the main circuit
 - with type of assignment 1 / required

fuse gL/gG: 10 A

gL/gG LV HRC 3NA, DIAZED 5SB, NEOZED 5SE: 63 A

- at type of coordination 2 / required

gL/gG LV HRC 3NA, DIAZED 5SB, NEOZED 5SE:
25A

Installation/ mounting/ dimensions:

mounting position		+/-180° rotation possible on vertical mounting surface; can be tilted forward and backward by +/- 22.5° on vertical mounting surface
Type of mounting		screw and snap-on mounting onto 35 mm standard mounting rail according to DIN EN 50022
Type of fixing/fixation / series installation		Yes
Width	mm	45
Height	mm	85
Depth	mm	97
Distance, to be maintained, to the ranks assembly / sideways	mm	0

Connections/ terminals:

Design of the electrical connection

- for main current circuit
- for auxiliary and control current circuit
- for main contacts / finely stranded / with conductor end
processing
- for AWG conductors / for main contacts
- for auxiliary contacts / finely stranded / with conductor end
processing
- for AWG conductors / for auxiliary contacts

screw-type terminals
screw-type terminals
2x (1 ... 2.5 mm²), 2x (2.5 ... 6 mm²), 1x 10 mm²
2x (16 ... 12), 2x (14 ... 8)
2x (0.5 ... 1.5 mm²), 2x (0.75 ... 2.5 mm²)
2x (20 ... 16), 2x (18 ... 14)

Sicherheitsrelevante Kenngrößen:

B10 value / with high demand rate

- according to SN 31920

1,000,000

T1 value / for proof test interval or service life

- according to IEC 61508

a 20

Proportion of dangerous failures

- with low demand rate / according to SN 31920
- with high demand rate / according to SN 31920

% 40
% 73

Failure rate (FIT value) / with low demand rate

- according to SN 31920

FIT 100

Product function

- mirror contact to IEC 60947-4-1
- comment
- positively driven operation to IEC 60947-5-1

Yes
with 3RH29
No

Certificates/ approvals:

勝特力材料 886-3-5753170
勝特力电子(上海) 86-21-34970699
勝特力电子(深圳) 86-755-83298787
[Http://www.100y.com.tw](http://www.100y.com.tw)

General Product Approval

EMC



Functional Safety /
Safety of
Machinery

Declaration of
Conformity

Test Certificates

[Type Examination](#)



EG-Konf.

[Special Test
Certificate](#)

[Type Test
Certificates/Test
Report](#)

Shipping Approval



Shipping Approval

other



[Confirmation](#)



[Environmental
Confirmations](#)

Further information:

Information- and Downloadcenter (Catalogs, Brochures,...)

<http://www.siemens.com/industrial-controls/catalogs>

Industry Mall (Online ordering system)

<http://www.siemens.com/industrial-controls/mall>

Cax online generator

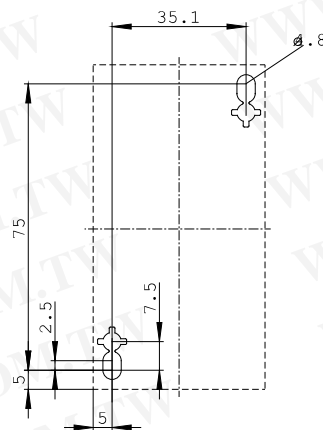
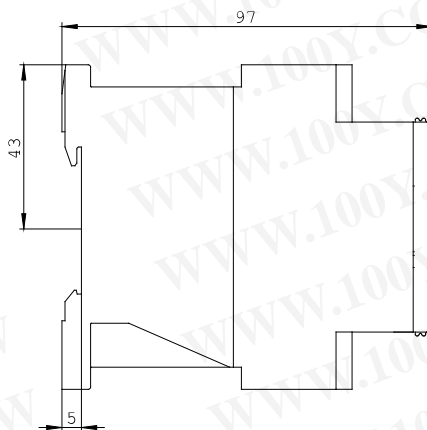
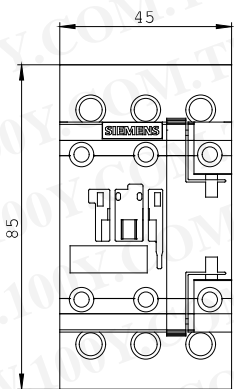
<http://www.siemens.com/cax>

Service&Support (Manuals, Certificates, Characteristics, FAQs,...)

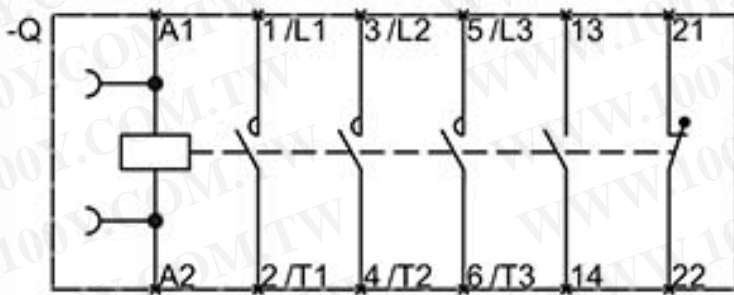
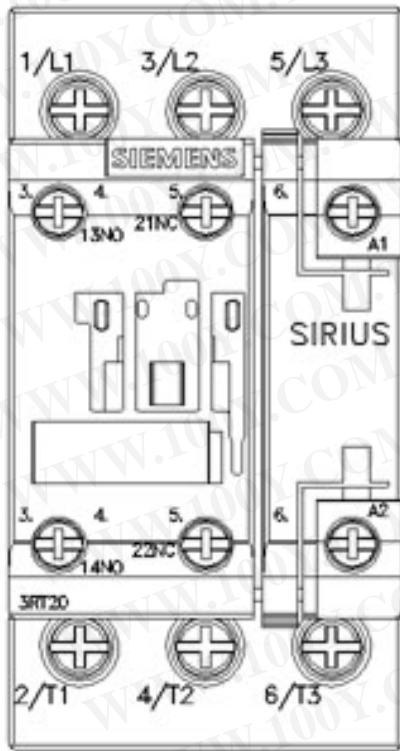
<http://support.automation.siemens.com/WW/view/en/3RT2023-1AN20/all>

Image database (product images, 2D dimension drawings, 3D models, device circuit diagrams, ...)

http://www.automation.siemens.com/bilddb/cax_en.aspx?mlfb=3RT2023-1AN20



勝特力材料 886-3-5753170
 勝特力电子(上海) 86-21-34970699
 勝特力电子(深圳) 86-755-83298787
[Http://www.100y.com.tw](http://www.100y.com.tw)



last change:

Nov 21, 2013

勝特力材料 886-3-5753170
 勝特力电子(上海) 86-21-34970699
 勝特力电子(深圳) 86-755-83298787
[Http://www.100y.com.tw](http://www.100y.com.tw)