



CIRCUIT-BREAKER SIZE S00,  
FOR MOTOR PROTECTION, CLASS 10,  
A-REL. 7...10A, N-REL. 130A,  
SCREW TERMINAL,  
STANDARD SWITCHING CAPACITY

勝特力材料 886-3-5753170  
 勝特力电子(上海) 86-21-34970699  
 勝特力电子(深圳) 86-755-83298787  
[Http://www.100y.com.tw](http://www.100y.com.tw)

**General technical data:**

<b>Product brand name</b>		SIRIUS
<b>Product designation</b>		circuit breaker
<b>Size of the circuit-breaker</b>		S00
<b>Trip class</b>		CLASS 10
<b>Degree of pollution</b>		3
<b>Installation altitude / at a height over sea level / maximum</b>	m	2000
<b>Protection class IP / on the front</b>		IP20
<b>Ambient temperature</b>		
• during storage	°C	-50 ... 80
• during the operating phase	°C	-20 ... 70
• during transport	°C	80 ... -50
<b>Resistance against shock</b>		25g / 11 ms
<b>Insulation voltage / rated value</b>	V	690
<b>Impulse voltage resistance / rated value</b>	V	6000
<b>Active power loss / total / typical</b>	W	7
<b>Item designation</b>		
• according to DIN 40719 extendable after IEC 204-2 / according to IEC 750		Q
• according to DIN EN 61346-2		Q

<b>Mechanical operating cycles as operating time / of the main contacts / typical</b>		100000
<b>Type of the driving mechanism / motor drive</b>		No
<b>Design of the operating mechanism</b>		rocker
<b>Product function</b>		
• overload protection		Yes
• phase disturbance recognition		Yes
<b>Product component</b>		
• auxiliary switch		No
• undervoltage release mechanism		No
• trip indicator		No
<b>Product extension / optional / motor drive</b>		No

#### Main circuit:

<b>Number of poles / for main current circuit</b>		3
<b>Type of voltage</b>		AC/DC
<b>Operating voltage / at AC-3 / rated value / maximum</b>	V	690
<b>Operating current / at AC-3 / at 400 V / rated value</b>	A	10
<b>Service power / at AC-3</b>		
• at 400 V / rated value	kW	4
<b>Frequency of operation / at AC-3 / according to IEC 60947-6-2 / maximum</b>	1/h	15
<b>Arrangement of electrical connectors / for main current circuit</b>		front side
<b>Adjustable response current</b>		
• of the non-delayed short-circuit release	A	130 ... 130
<b>Adjustable response current</b>		
• of the current-dependent overload release	A	7 ... 10
<b>Continuous current / rated value</b>	A	10
<b>Product extension / auxiliary switch</b>		Yes

#### Auxiliary circuit:

<b>Number of NC contacts / for auxiliary contacts / instantaneous switching</b>		0
<b>Number of NO contacts / for auxiliary contacts / instantaneous switching</b>		0
<b>Number of change-over switches / for auxiliary contacts</b>		0

#### Inputs/ Outputs:

<b>Number of digital inputs</b>		0
---------------------------------	--	---

#### Short-circuit:

<b>Breaking capacity limit short-circuit current (I<sub>cu</sub>)</b>		
• at 400 V / rated value	kA	50

<ul style="list-style-type: none"> <li>• at 500 V / rated value</li> <li>• at 690 V / rated value</li> </ul>	kA	3
	kA	2
<b>Design of the electrical connection / for auxiliary and control current circuit</b>		screw-type terminals
<b>Design of the overcurrent release and short-circuit release</b>		thermomagnetic

### Installation/mounting/dimensions:

<b>Built in orientation</b>		any
<b>Type of mounting</b>		screw and snap-on mounting onto 35 mm standard mounting rail according to DIN EN 50022
<b>Width</b>	mm	45
<b>Height</b>	mm	90
<b>Depth</b>	mm	81
<b>Distance, to be maintained, to the ranks assembly</b>		
<ul style="list-style-type: none"> <li>• backwards</li> <li>• sideways</li> </ul>	mm	0
	mm	0
<b>Product function / removable terminal for auxiliary and control circuit</b>		No

### Connections:

<b>Design of the electrical connection</b>		screw-type terminals
<ul style="list-style-type: none"> <li>• for main current circuit</li> </ul>		
<b>Type of the connectable conductor cross-section</b>		
<ul style="list-style-type: none"> <li>• for main contacts <ul style="list-style-type: none"> <li>• solid</li> <li>• stranded</li> <li>• finely stranded <ul style="list-style-type: none"> <li>• with conductor end processing</li> </ul> </li> </ul> </li> <li>• for AWG conductors / for main contacts</li> </ul>		2x (0.5 ... 1.5 mm <sup>2</sup> ), 2x (0.75 ... 2.5 mm <sup>2</sup> ) 2x (0.5 ... 1.5 mm <sup>2</sup> ), 2x (0.75 ... 2.5 mm <sup>2</sup> ) 2x (0.5 ... 1.5 mm <sup>2</sup> ), 2x (0.75 ... 2.5 mm <sup>2</sup> ) 2x (18 ... 14)
<b>Conductor cross section that can be connected / for main contacts</b>		
<ul style="list-style-type: none"> <li>• solid</li> <li>• stranded</li> <li>• stranded wire <ul style="list-style-type: none"> <li>• with conductor end processing</li> </ul> </li> </ul>	mm <sup>2</sup>	0.5 ... 2.5
	mm <sup>2</sup>	0.5 ... 2.5
	mm <sup>2</sup>	0.5 ... 2.5
<b>AWG number / as coded connectable conductor cross-section</b>		
<ul style="list-style-type: none"> <li>• for main contacts</li> </ul>		18 ... 14

### Certificates/approvals:

<b>General Product Approval</b>	<b>For use in hazardous locations</b>
---------------------------------	---------------------------------------

[CQC](#)



[KETI](#)

[ROSTEST](#)



[EXAM, DMT](#)

**Test Certificates**

[Manufacturer](#)

**Shipping Approval**

[ABS](#)



[PRS](#)

**Shipping Approval**

**other**



[Manufacturer](#)

**Safety:**

**Protection against electrical shock**

finger-safe

**Further information:**

**Information- and Downloadcenter (Catalogs, Brochures,...)**

<http://www.siemens.com/industrial-controls/catalogs>

**Industry Mall (Online ordering system)**

<http://www.siemens.com/industrial-controls/mall>

**CAX-Online-Generator**

<http://www.siemens.com/cax>

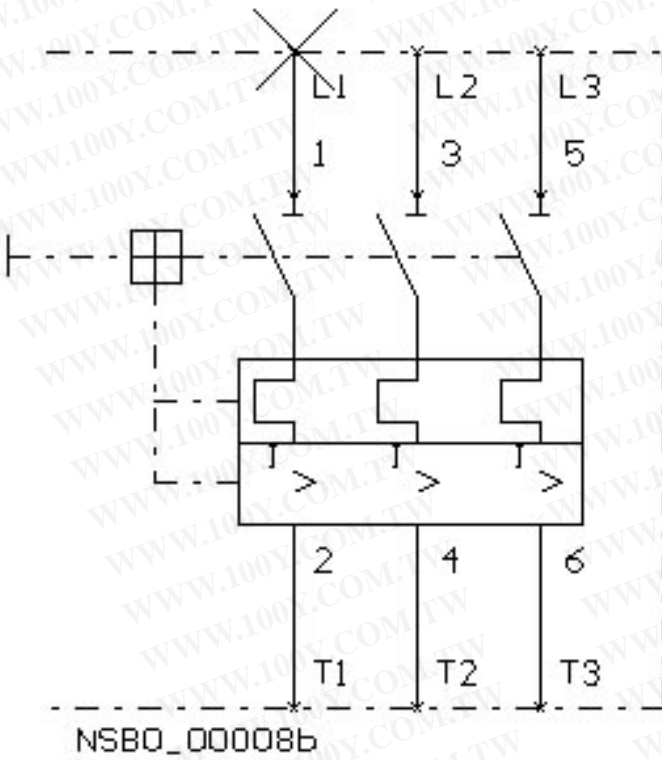
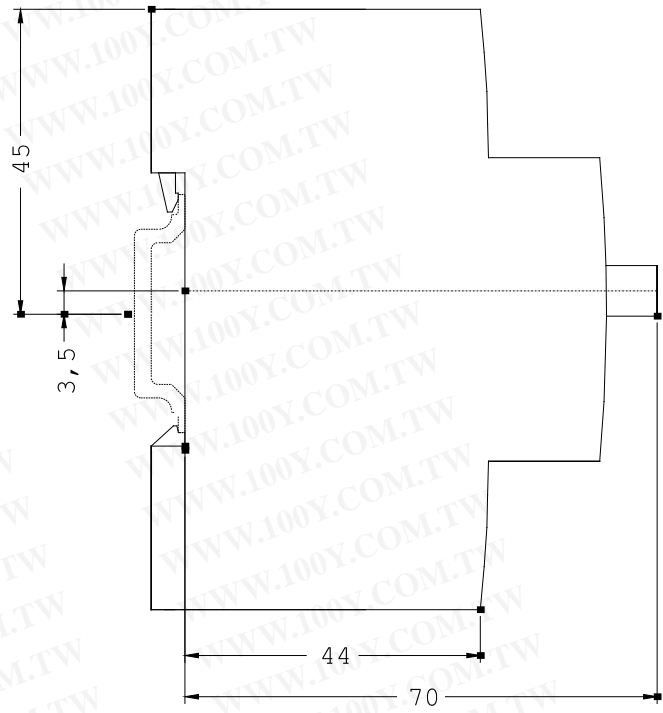
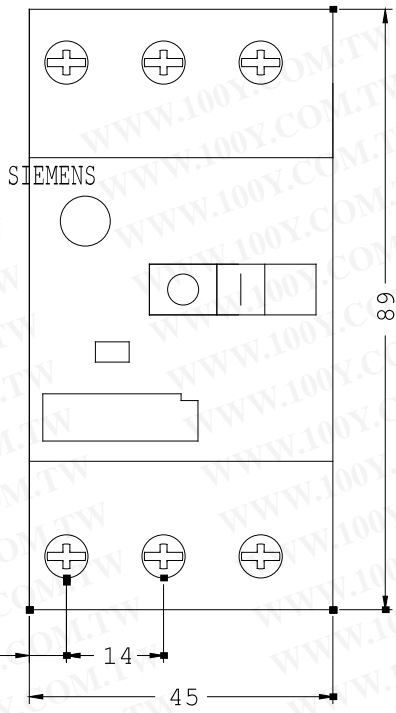
**Service&Support (Manuals, Certificates, Characteristics, FAQs,...)**

<http://support.automation.siemens.com/WW/view/en/3RV1011-1JA10/all>

**Image database (product images, 2D dimension drawings, 3D models, device circuit diagrams, ...)**

[http://www.automation.siemens.com/bilddb/cax\\_en.aspx?mlfb=3RV1011-1JA10](http://www.automation.siemens.com/bilddb/cax_en.aspx?mlfb=3RV1011-1JA10)





勝特力材料 886-3-5753170  
 勝特力电子(上海) 86-21-34970699  
 勝特力电子(深圳) 86-755-83298787  
[Http://www.100y.com.tw](http://www.100y.com.tw)

last change:

Nov 5, 2010