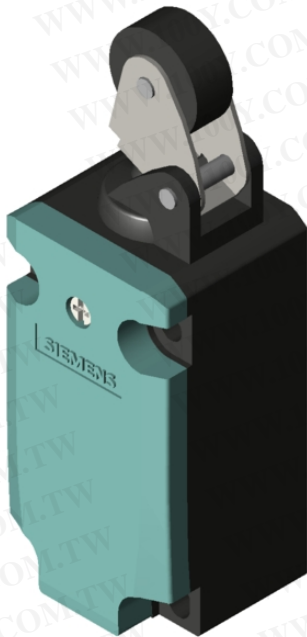


勝特力材料 886-3-5753170
 勝特力电子(上海) 86-21-34970699
 勝特力电子(深圳) 86-755-83298787
[Http://www.100y.com.tw](http://www.100y.com.tw)



SIRIUS POSITION SWITCH METAL ENCLOSURE 40MM
 ACC. TO EN50041 DEVICE CONNECTION 1X (M20X1.5)
 1NO/1NC SNAP-ACTION CONTACTS METAL ROLLER
 LEVER AND PLASTIC ROLLER 22MM

Manufacturer article number	
<ul style="list-style-type: none"> • of the basic unit included in the scope of supply • of the actuator head for position switches included in the scope of supply 	3SE5112-0CA00 3SE5000-0AE01

General technical details:		
Product designation		standard position switch
Insulation voltage		
<ul style="list-style-type: none"> • rated value 	V	400
Degree of pollution		class 3
Thermal current	A	6
Operating current		
<ul style="list-style-type: none"> • at AC-15 • at 24 V / rated value • at 125 V / rated value • at 230 V / rated value • at 400 V / rated value • at DC-13 • at 24 V / rated value • at 125 V / rated value • at 230 V / rated value 	A	6 6 6 4 3 0.55 0.27

<ul style="list-style-type: none"> • at 400 V / rated value 	A	0.1
Continuous current		
<ul style="list-style-type: none"> • of the slow DIAZED fuse link 	A	6
<ul style="list-style-type: none"> • of the quick DIAZED fuse link 	A	10
<ul style="list-style-type: none"> • of the C characteristic circuit breaker 	A	1
Mechanical operating cycles as operating time		
<ul style="list-style-type: none"> • typical 		15,000,000
Electrical operating cycles as operating time		
<ul style="list-style-type: none"> • with contactor 3RH11, 3RT1016, 3RT1017, 3RT1024, 3RT1025, 3RT1026 / typical 		10,000,000
<ul style="list-style-type: none"> • at AC-15 / at 230 V / typical 		100,000
Electrical operating cycles in one hour		
<ul style="list-style-type: none"> • with contactor 3RH11, 3RT1016, 3RT1017, 3RT1024, 3RT1025, 3RT1026 		6,000
Repeat accuracy	mm	0.1
Design of the contact element		snap-action contacts
Number of NC contacts		
<ul style="list-style-type: none"> • for auxiliary contact 		1
Design of the switching function		positive opening
Number of NO contacts		
<ul style="list-style-type: none"> • for auxiliary contact 		1
Resistance against vibration		0.35 mm / 5g
Resistance against shock		30g / 11 ms
Ambient temperature		
<ul style="list-style-type: none"> • during the operating phase 	°C	-25 ... 85
<ul style="list-style-type: none"> • during storage 	°C	-40 ... 90
Product specification		
<ul style="list-style-type: none"> • for dimensions 		EN 50041
Width of the sensor	mm	40
Material		
<ul style="list-style-type: none"> • of the housing 		metal
Material / of the housing / of the switch head		metal
Design of the operating mechanism		metal lever, plastic roller
Actuating speed	mm/s / m/s	0.1 ... 2.5
Minimum actuating force / in activation direction	N	10
Protection class IP		IP66/IP67
Built in orientation		any
Design of the cable entry (gland)		1x (M20 x 1.5)
Design of the electrical connection		screw-type terminals
Item designation		

- according to DIN 40719 extendable after IEC 204-2
- according to DIN EN 61346-2

S
B

Further information:

Information- and Downloadcenter (Catalogs, Brochures,...)

<http://www.siemens.com/industrial-controls/catalogs>

Global Industry Mall (Online ordering system)

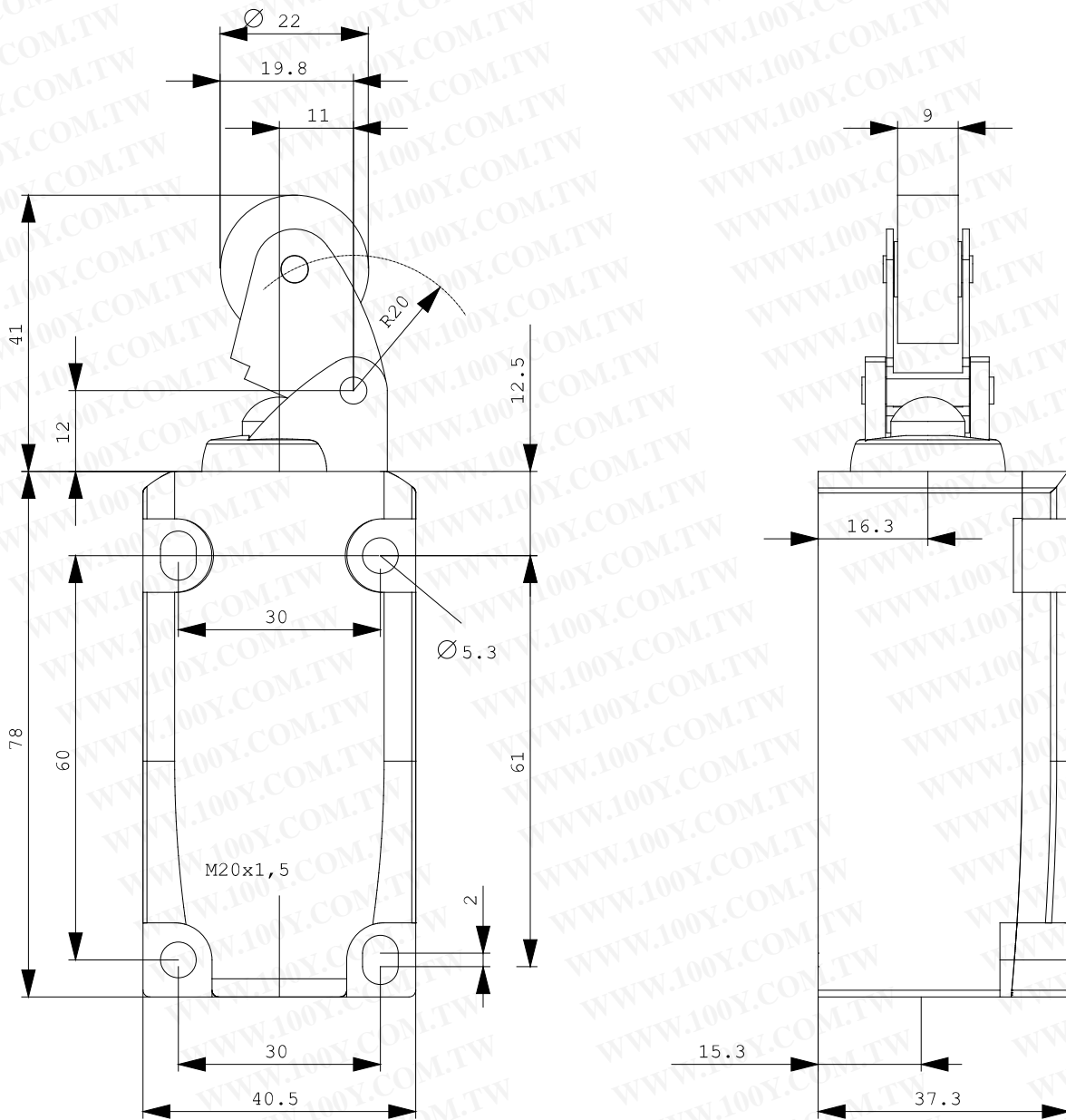
<http://www.siemens.com/industrial-controls/mall>

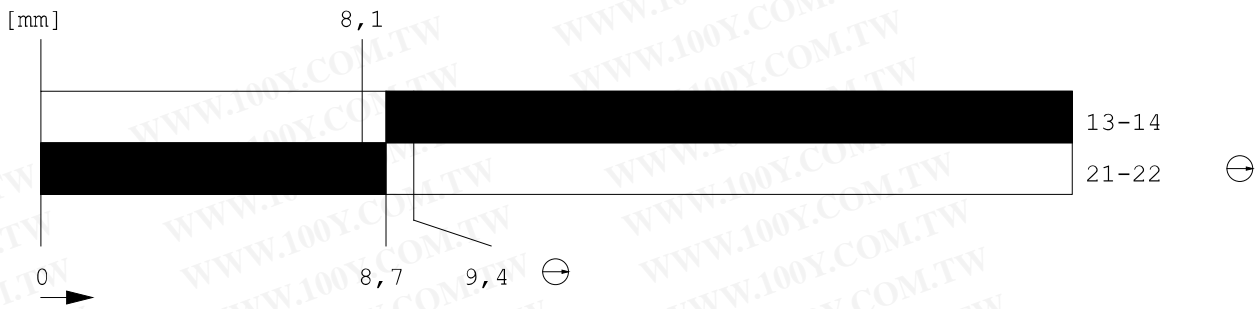
Service&Support (Manuals, Certificates, Characteristics, FAQs,...)

<http://support.automation.siemens.com/WW/view/en/3SE5112-0CE01/all>

Image database (product images, 2D dimension drawings, 3D models, device circuit diagrams, ...)

http://www.automation.siemens.com/bilddb/cax_en.aspx?mlfb=3SE5112-0CE01





last change:

Sep 6, 2010

勝特力材料 886-3-5753170
 勝特力电子(上海) 86-21-34970699
 勝特力电子(深圳) 86-755-83298787
[Http://www.100y.com.tw](http://www.100y.com.tw)