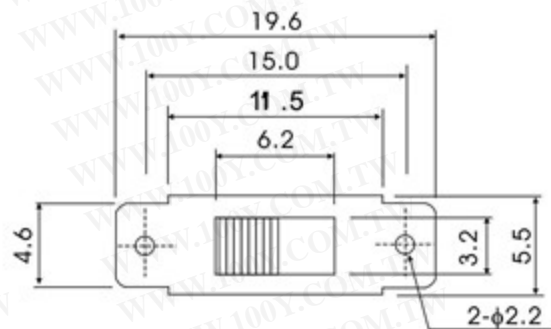
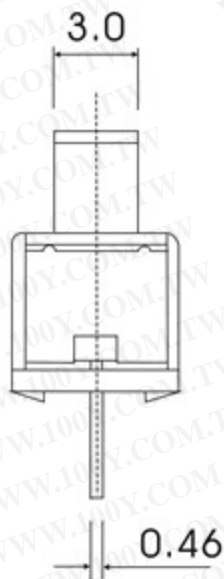
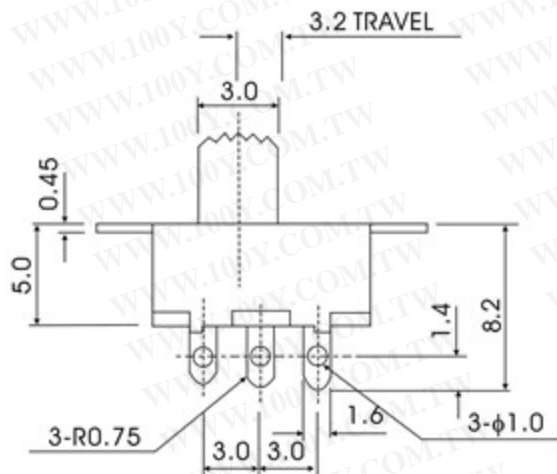
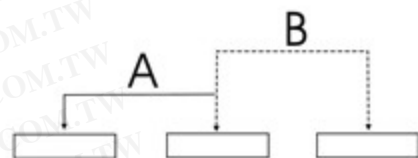




CAD FILE :

勝特力材料 886-3-5753170
 勝特力电子(上海) 86-21-34970699
 勝特力电子(深圳) 86-755-83298787
[Http://www.100y.com.tw](http://www.100y.com.tw)



NO.	PART NAME	MATERIAL	Q'TY	FINISHING	TOLERANCE UNLESS SPECIFIED	TOLERANCE		TOLERANCE		
						DATE	ISSUE	≤5	±0.2	>50
8										
7	STELL BALL	SUS	1	NATURAL						
6	SPRING	SUS WIRE	1	NATURAL						
5	CONTACT PLATE	BRAD STRIP	1	Ag-Plated	WITHIN 1.5mm±0.1mm OVER 1.5mm±0.2mm					
4	TERMINAL	BRASS	1	Ag-Plated						
3	BASE	PHENOLIC LAMINATE	1	NATURAL						
2	FRAME	FERRIC STRIP	1	Ni-Plated						
1	KNOB	POM	1	BLACK						
TITLE : 拔動開關系列						UNIT :MM	DRWG NO.: JBL-SS12F15-B06			
MODEL: SS-12F15(1P2T)						SCALE: 5:1	DWN			
							CHK'D			
							APPD.			