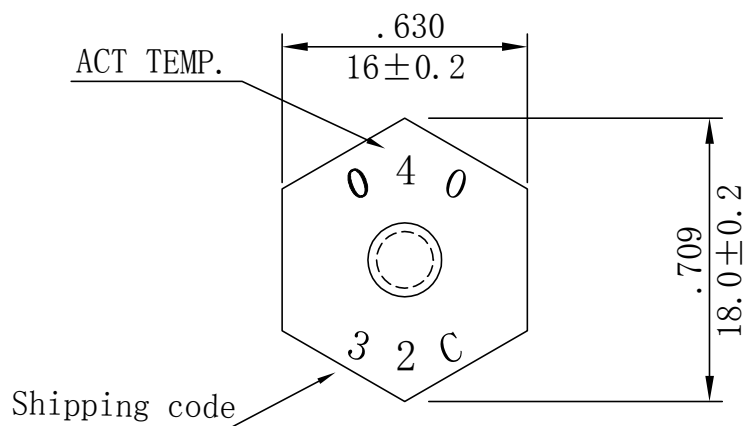


	PARTS NAME	MATERIAL	UL FLAME GRADE
1	Sensing cap	Brass chrome plating	
2	Actuating pin	Ceramic	
3	Bimetal disc	Bimetal	
4	Retainer	Phenolic	94V-0
5	Contact-F	Silver alloy	
6	Contact-R	Silver alloy	
7	Rivet	Copper	
8	Terminal	Brass tin plated	
9	Case	Phenolic	94V-0
10	Movable arm	Beryllium copper	
11	Stationary arm	Brass	

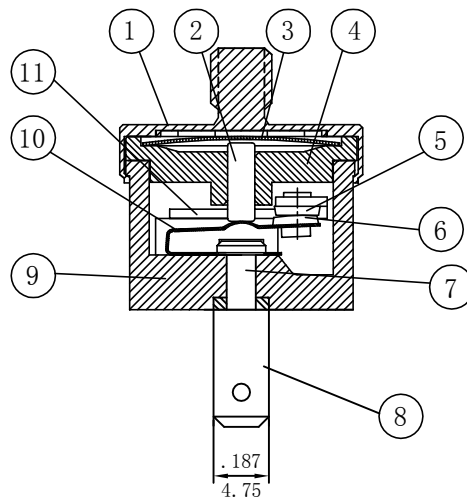
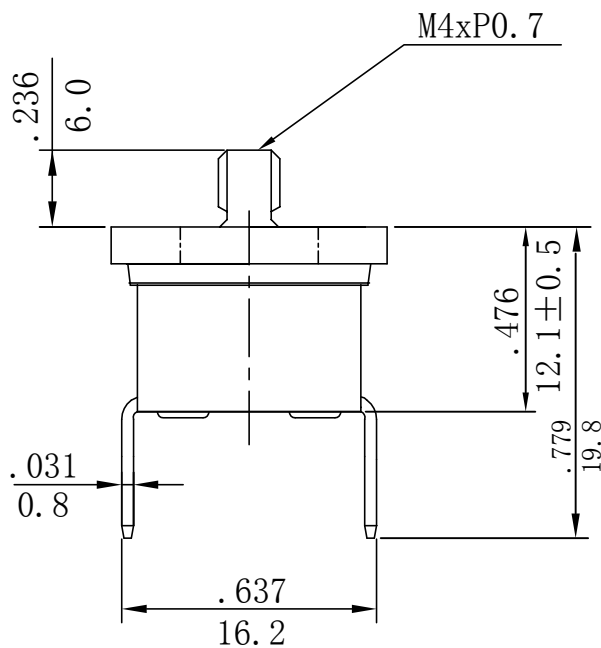
SPECIFICATIONS

- * CONTACT TYPE : Normally Closed
- * ACTION TEMP : $40^{\circ}\text{C} \pm 3^{\circ}\text{C}$
- * RESET TEMP : $30^{\circ}\text{C} \pm 4^{\circ}\text{C}$
- * TERMINAL SIZE : Amp #187 TAB
- * CIRCUIT RESISTANCE : $50\text{m}\Omega$ MAX.
- * INSULATION RESISTANCE : $100\text{M}\Omega$ min. at DC 500V
- * DIELECTRIC STRENGTH : AC 1450V For One Minute
Or AC 1800V For One Sec
- * ELECTRICAL RATING : 16A 250VAC\15A 125VAC
10A 250VAC
- * APPROVALS: UL/CUL TUV
- * OPERATING LIFE : 10,000 Cycles :16A 250VAC
100,000 Cycles :10A 250VAC/15A 125VAC



3 2 C
N. C.
February
2023 Year

Shipping code



inch
mm

Scale 2:1 (mm)

勝特力電材超市-龍山店 886-3-5773766
勝特力電材超市-光復店 886-3-5729570
勝特力電子(上海) 86-21-34970699
勝特力電子(深圳) 86-755-83298787
<http://www.100y.com.tw>

SERIES T24 CODE T24A040AHR1-10

UNIT mm CUSTOMER

DWG CHK SALE APP

Content

Revise

XIR